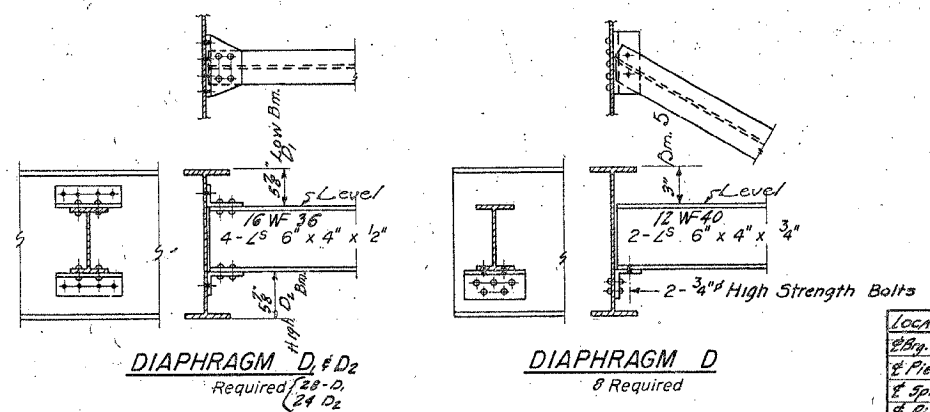
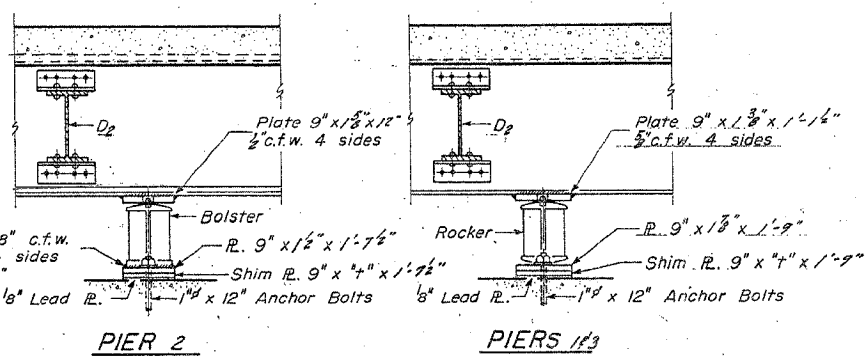
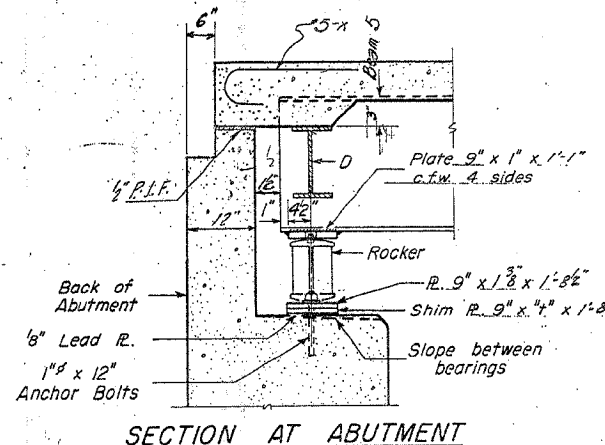
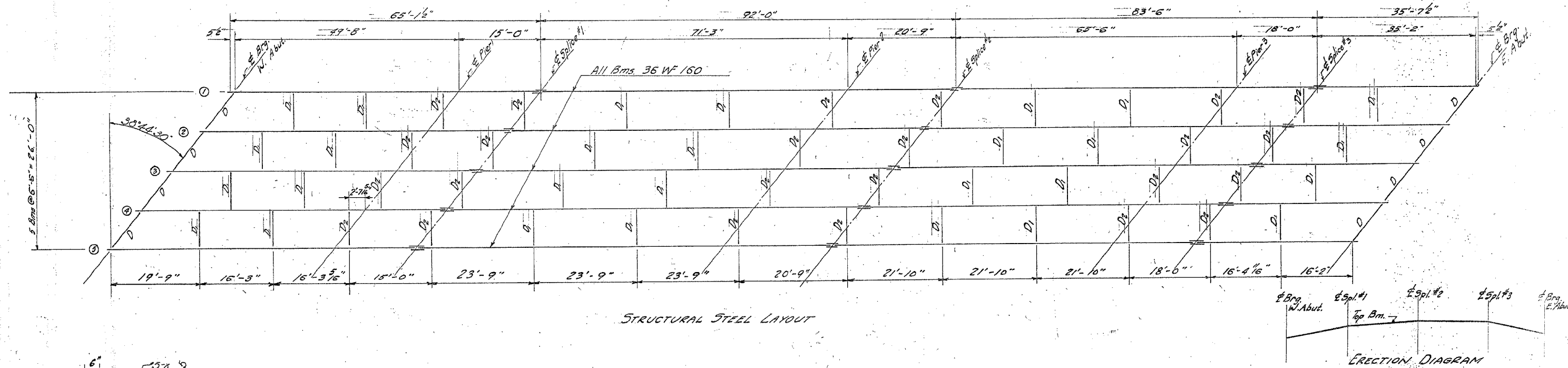


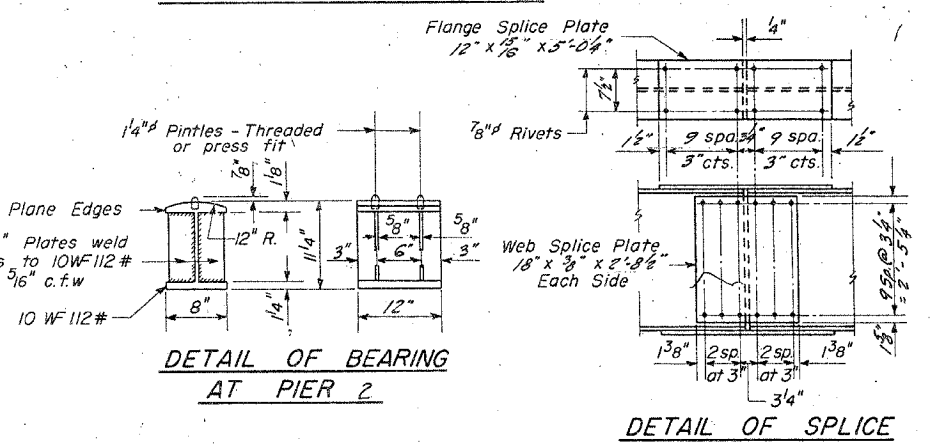
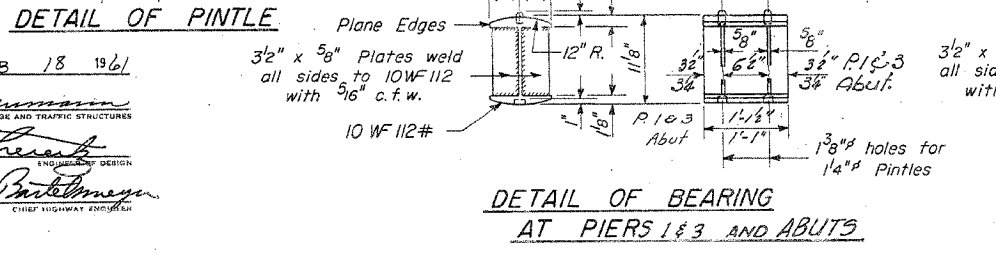
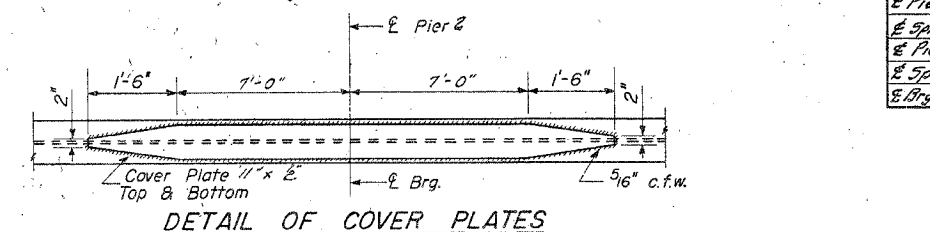
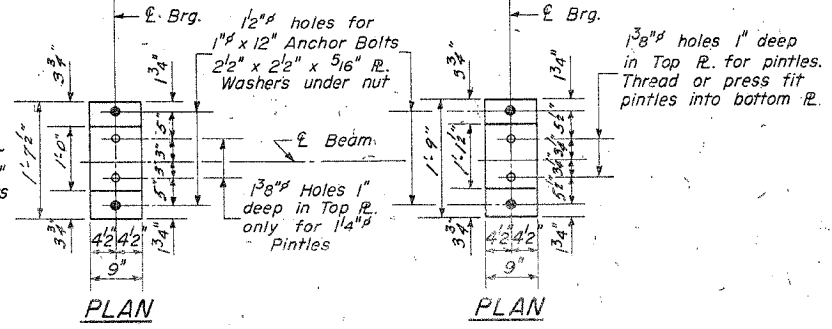
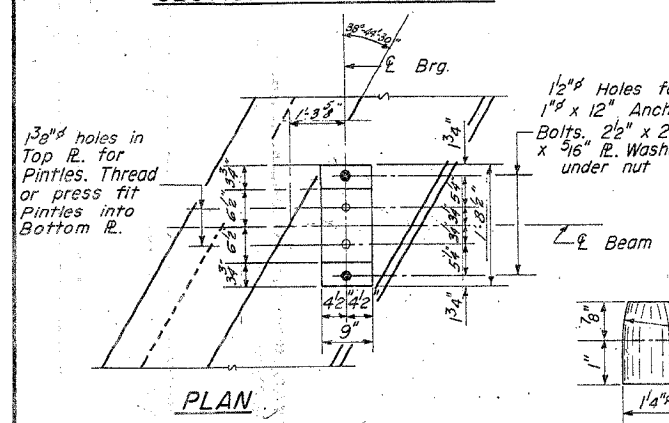
STATE OF ILLINOIS  
DEPARTMENT OF PUBLIC WORKS & BUILDINGS  
DIVISION OF HIGHWAYS

ROUTE NO.	SECTION	COUNTY	TOTAL SHEETS	SHEET NO.	SHEET NO.
FAS 244	(06-4HB-1)D	BUREAU	33	23	17 SHEETS
FED. ROAD DIST. NO. 7	ILLINOIS	FED. AID PROJECT			



**ELEVATION TOP OF BEAMS**

LOCATION	Bm #1	Bm #2	Bm #3	Bm #4	Bm #5
E Brg. W. Abut.	672.93	672.91	672.82	672.66	672.44
E Pier 1	673.89	673.89	673.82	673.68	673.47
E Splice 1	674.18	674.18	674.12	673.98	673.78
E Pier 2	675.30	675.32	675.28	675.17	674.99
E Splice 2	675.63	675.66	675.62	675.52	675.35
E Pier 3	676.29	676.34	676.33	676.25	676.10
E Splice 3	676.47	676.53	676.53	676.45	676.30
E Brg. E. Abut.	676.75	676.85	676.85	676.78	676.65



**TABLE OF "t" DIMENSIONS**

LOCATION	Bm #1	Bm #2	Bm #3	Bm #4	Bm #5
E Brg. W. Abut.	4"	-	-	-	-
E Pier 1	3"	7"	-	-	-
E Pier 2	4"	6"	-	-	-
E Pier 3	-	5"	6"	6"	-
E Brg. E. Abut.	-	8"	7"	8"	-

DESIGNED: *Aburill*

CHECKED: *R. Koyed*

DRAWN: *W. A. Sausaman*

CHECKED: *EL*

EXAMINED: *M. G. Baumann*

PASSED: *E. J. ...*

APPROVED: *R. L. ...*

FEB 18 1961

**\* FOR INFORMATION ONLY**

STEEL LAYOUT & BEARING DETAILS  
F.A.I. RT. 80 SEC. 06-4HB-1  
BUREAU COUNTY 4  
STATION 1038+56.70 (F.A.I.)