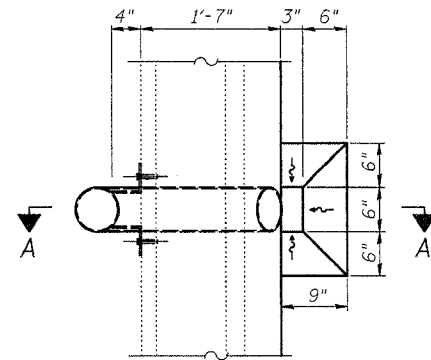
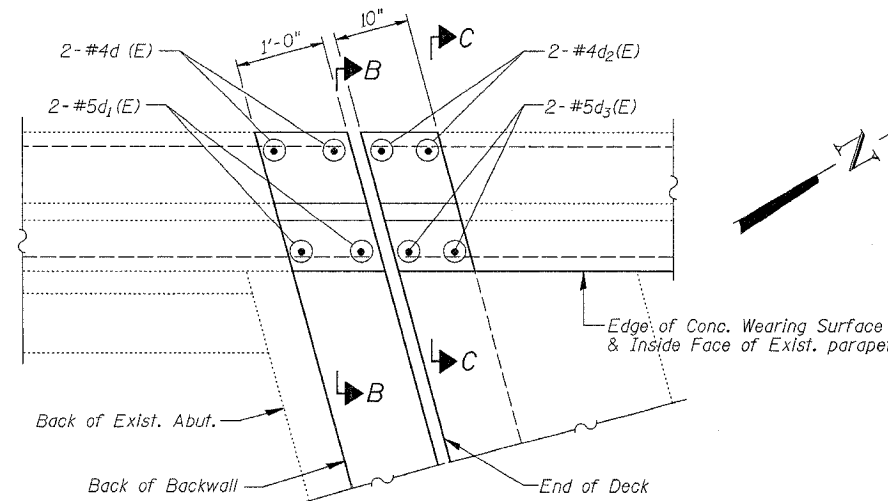


STATE OF ILLINOIS
DEPARTMENT OF TRANSPORTATION

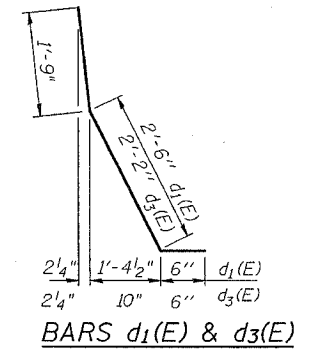
ROUTE NO.	SECTION	COUNTY	SHEETS	SHEET NO.	SHEET NO. 4 9 SHEETS
78	10BR 3D & 11BR-8	JO DAVIESS	45	22	
FED. ROAD DIST. NO. 7	ALLIANCE	PROJ. NO.	PROJECT	Contract # 64B27	



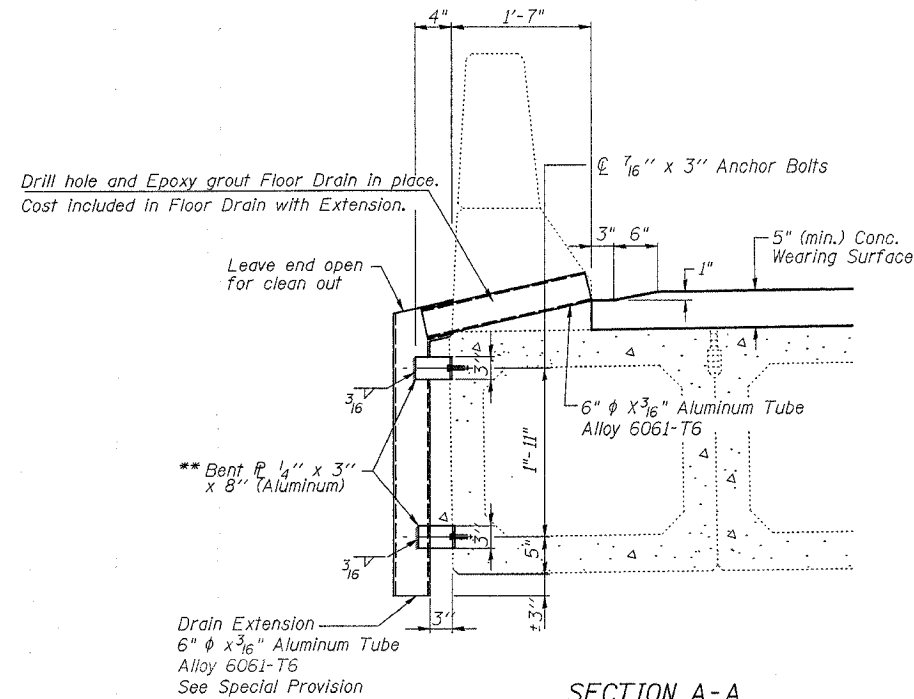
PLAN VIEW AT DRAIN



BARS d(E) & d2(E)

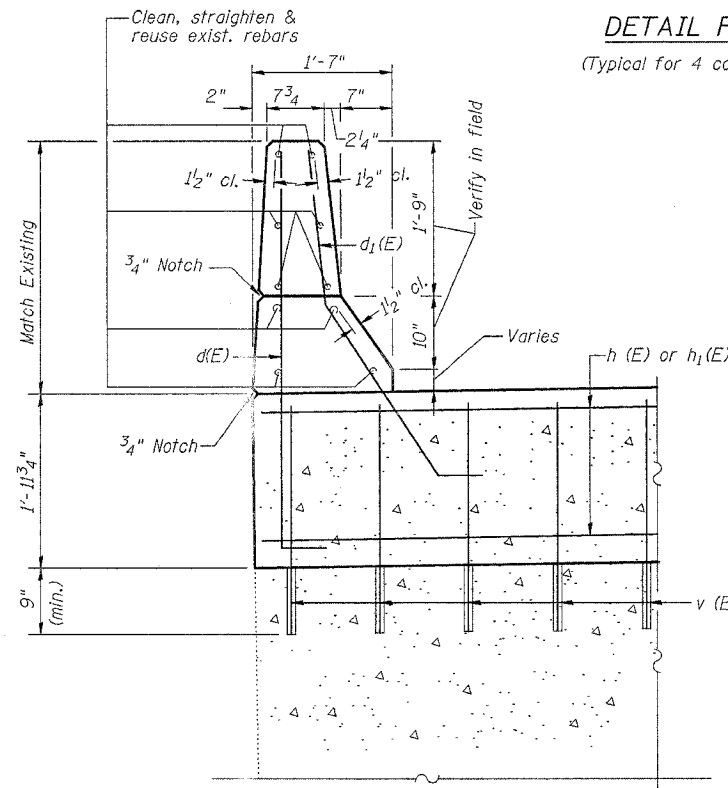


BARS d1(E) & d3(E)

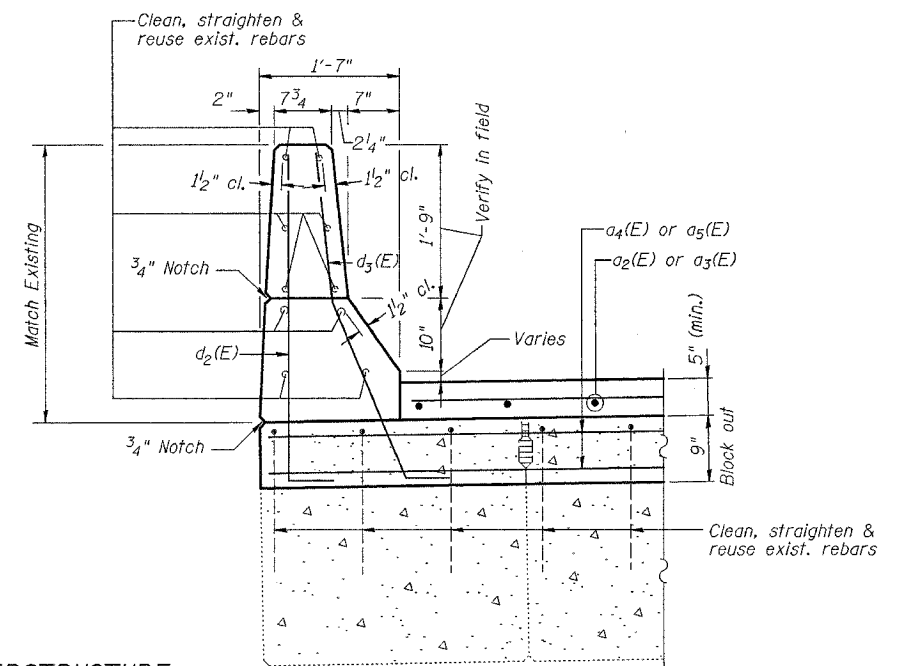


SECTION A-A

** Prestressing strands located at 1 1/4", 3 1/4", 6" and 9" from bottom of beam. Contractor must ensure no damage is done to the strands



SECTION B-B



SECTION C-C

SUPERSTRUCTURE
BILL OF MATERIAL

Bar	No.	Size	Length	Shape
d2(E)	4	#4	4'-3"	┌
d3(E)	4	#5	4'-5"	┌
* Concrete Superstructures				
			Cu. Yd.	2.7
Reinforcement Bars, Epoxy Coated				
			Pound	60
Floor Drain with Extension				
			Each	8
* Concrete Removal				
			Cu. Yd.	2.1

* Includes parapet over deck and deck beam block out

SUPERSTRUCTURE DETAILS - 1

IL. RTE. 78 OVER
PLUM RIVER
F.A. 642 SECTION (10BR-3)D & 11BR-8
JO DAVIESS COUNTY
STA. 318+36.71
STRUCTURE NUMBER 043-0040

DESIGNED JPM	200
CHECKED EMM	EXAMINED
DRAWN JPM	PASSED
CHECKED EMM	ENGINEER OF BRIDGE DESIGN
	ENGINEER OF BRIDGES AND STRUCTURES