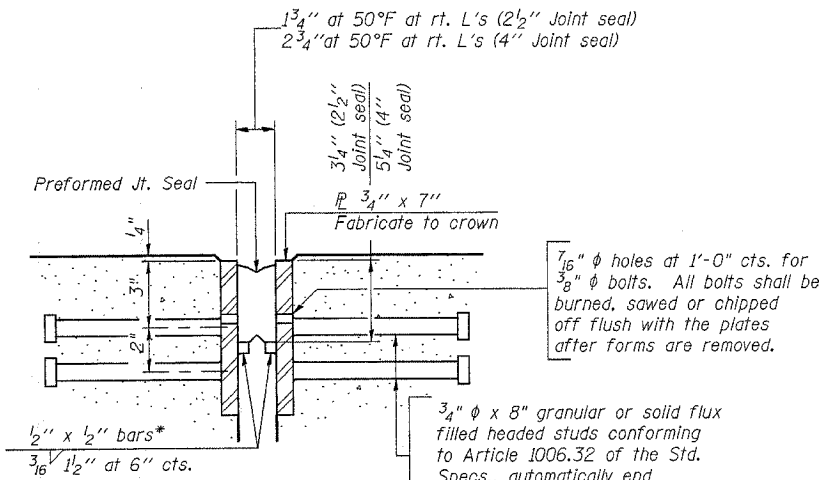


STATE OF ILLINOIS
DEPARTMENT OF TRANSPORTATION

ROUTE NO.	SECTION	COUNTY	SHEET	SHEET NO.
78	10BR-3D & 11BR-8	JO DAVIESS	45	23
FED. ROAD DIST. NO. 7		ILLINOIS	FED. AID PROJECT	

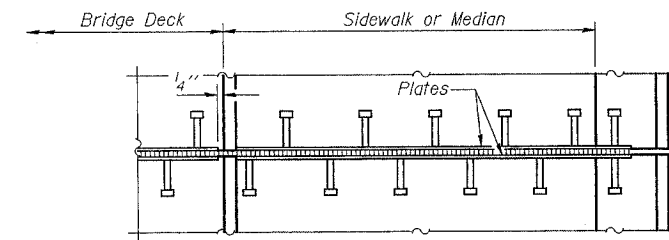
Contract # 64B27



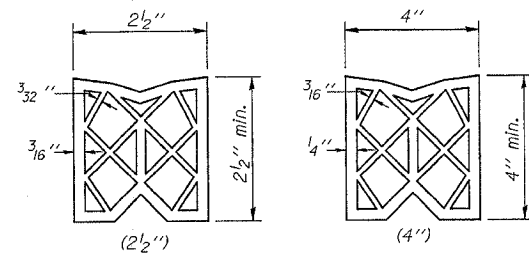
*Cut retainer bars in sidewalk or median 6" short of the sidewalk or median face.

SECTION THRU EXPANSION JOINT
(2 1/2" and 4" joint seals)

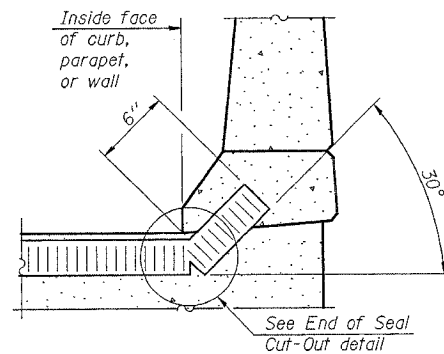
Design Movement	Required Preformed Joint Seal Size	Required Strip Seal Rated movement
1"	2 1/2"	1"
1 5/8"	4"	2"



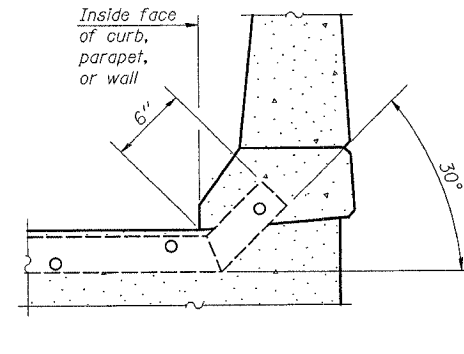
PLAN AT SIDEWALK OR MEDIAN



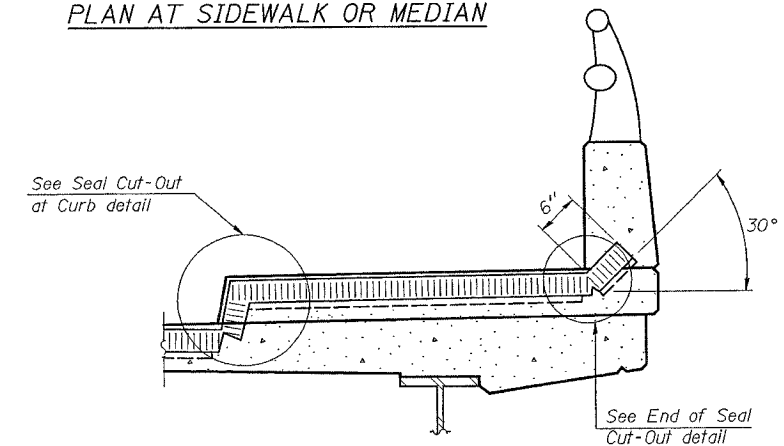
PREFORMED JOINT SEAL



AT CURB, PARAPET, OR WALL
(Showing seal)



AT CURB, PARAPET, OR WALL
(Showing plate)



AT SIDEWALK OR MEDIAN*
(Showing plate and seal)

* Shorter plates with a single row of studs at 12" centers may be necessary on medians which are shallower than 9". See manufacturer's recommendation.

TYPICAL END TREATMENTS

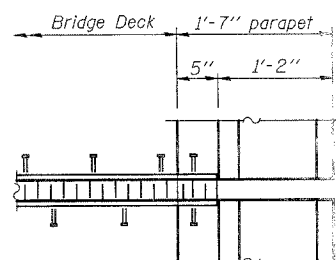
BILL OF MATERIAL

Item	Unit	Total
Bridge Joint System (Expansion) - 1"	foot	74.6

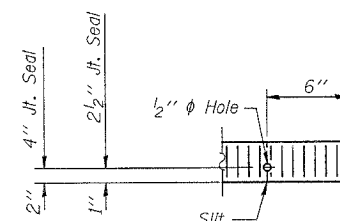
(Sheet 1 of 2)

BRIDGE JOINT SYSTEM - EXPANSION
(PREFORMED JOINT SEAL)

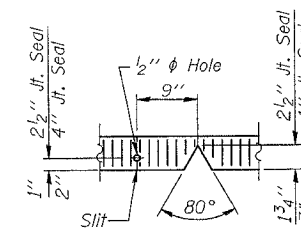
IL. RTE. 78 OVER
PLUM RIVER
F.A. 642 SECTION (10BR-3D & 11BR-8)
JO DAVIESS COUNTY
STA. 318+36.71.00
STRUCTURE NUMBER 043-0040



PLAN AT PARAPET



END OF SEAL CUT-OUT



SEAL CUT-OUT AT CURB

DESIGNED JPM	200
CHECKED EMM	EXAMINED
DRAWN JPM	ENGINEER OF BRIDGE DESIGN
CHECKED EMM	PASSED
	ENGINEER OF BRIDGES AND STRUCTURES

EJ-BJS

DATE : 12-21-05