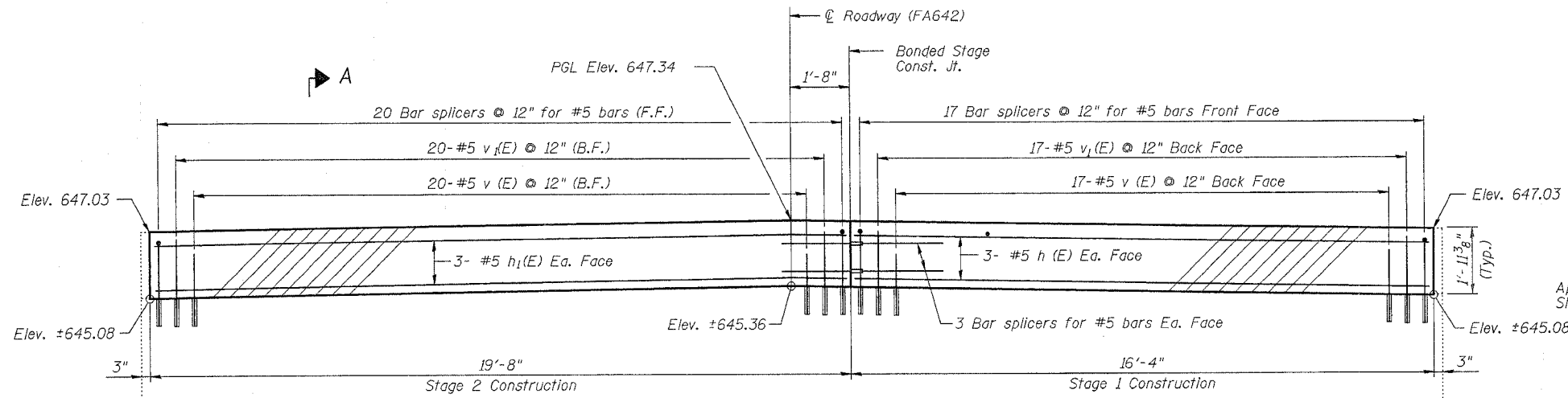


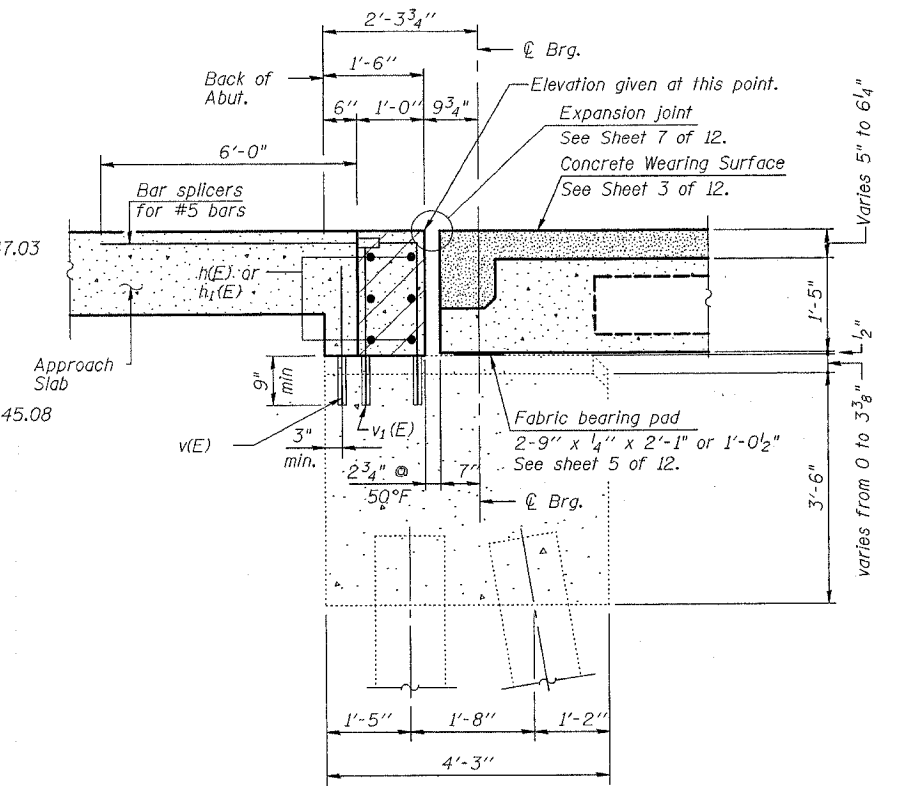
STATE OF ILLINOIS
DEPARTMENT OF TRANSPORTATION

ROUTE NO.	SECTION	COUNTY	TOTAL SHEETS	SHEET NO.	SHEET NO. 10
78	10BR-3D & 11BR-8	JO DAVIESS	45	37	12 SHEETS
FED. ROAD DIST. NO. 7	ILLINOIS	FED. AID PROJECT			

Contract # 64B27



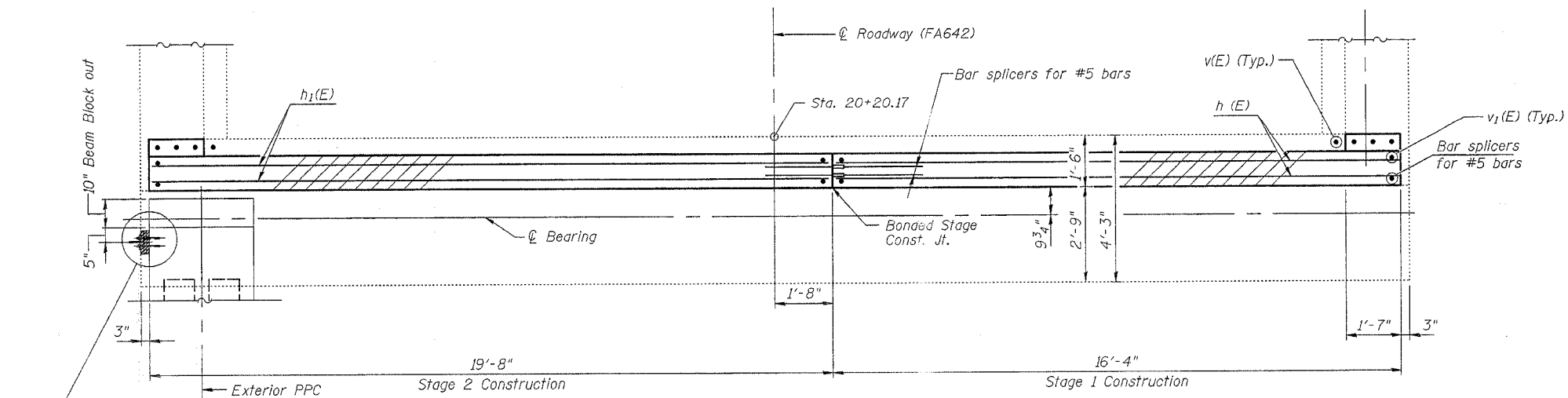
ELEVATION



SEC. A-A

BILL OF MATERIAL

Bar	No.	Size	Length	Shape
h(E)	6	#5	16'-1"	—
h ₁ (E)	6	#5	19'-5"	—
v(E)	37	#5	2'-3"	—
v ₁ (E)	37	#5	2'-6"	—
			Cu. Yd.	2.7
			Pound	410



PLAN

Notes:

Hatched area shall be poured after Concrete Wearing Surface (including blackout) is in place and cured. Cost of temporary retainers, and accessories are included with Precast Prestressed Concrete Deck Beams (17" Depth).
* Epoxy grout Bars v(E), v₁(E) and Bar Splicers in 9" min. drilled holes according to Section 584 of the Standard Specifications.
Reinforcement bars designated (E) shall be epoxy coated.

DESIGNED	CGM	200
CHECKED	EMM	EXAMINED
DRAWN	CGM	PASSED
CHECKED	EMM	ENGINEER OF BRIDGES AND STRUCTURES

SOUTH ABUTMENT
IL. RTE. 78 OVER
DAVIS CREEK
F.A. 642 SECTION (10BR-3D) & 11BR-8
JO DAVIESS COUNTY
STA. 20+75.37
STRUCTURE NUMBER 043-0042

DATE : 12-21-05

default 12/23/2005 I:\projects\118\1180518\1180518.dwg FILE:DAVIS.MDL S:ARNDT.dgn