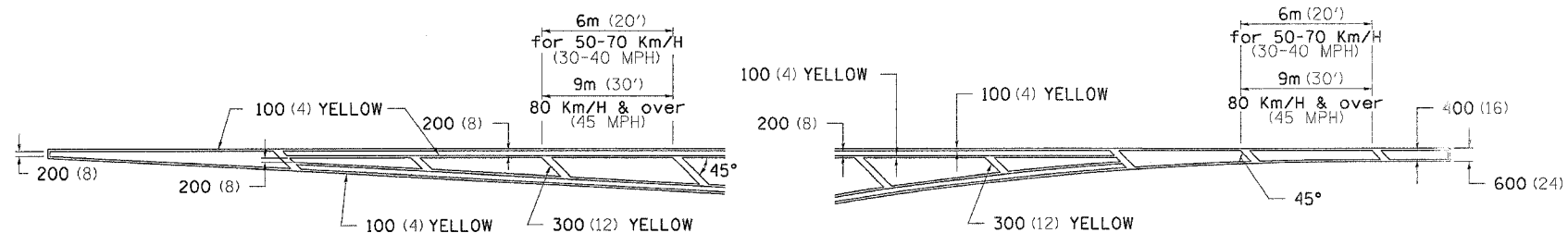


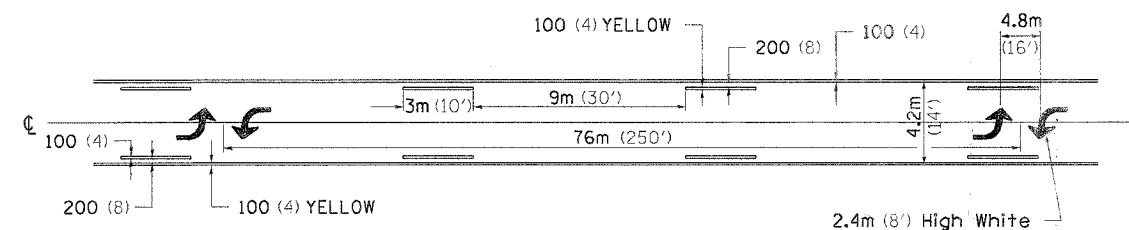
F.A.P. RTE.	SECTION	COUNTY	TOTAL SHEETS	SHEET NO.
642	(10BR-3)D	JODAVIESS	45	41
STA.	11BR-B	TO STA.		
FED. ROAD DIST. NO.	ILLINOIS	FED. AID PROJECT		

TYPICAL PAVEMENT MARKINGS

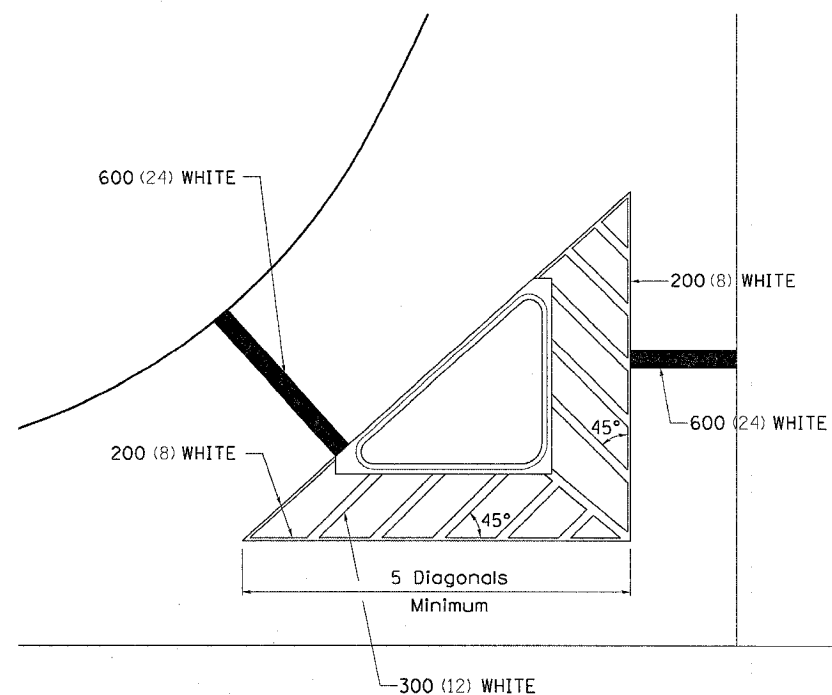
TYPICAL PAVEMENT MARKING FOR FLUSH MEDIAN



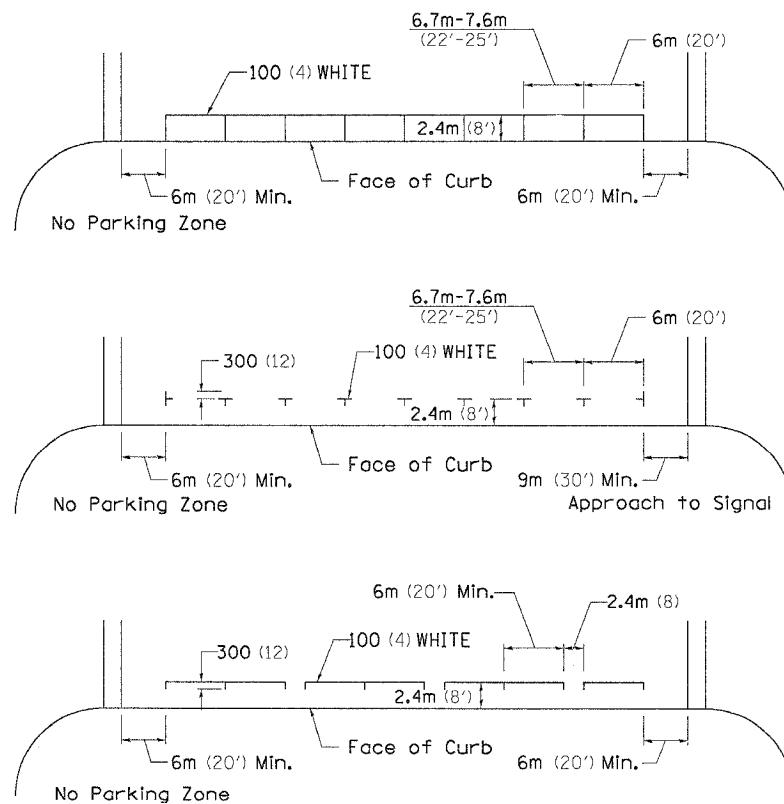
MEDIAN PAVEMENT MARKING



TYPICAL ISLAND OFFSET SHOULDER WIDTH



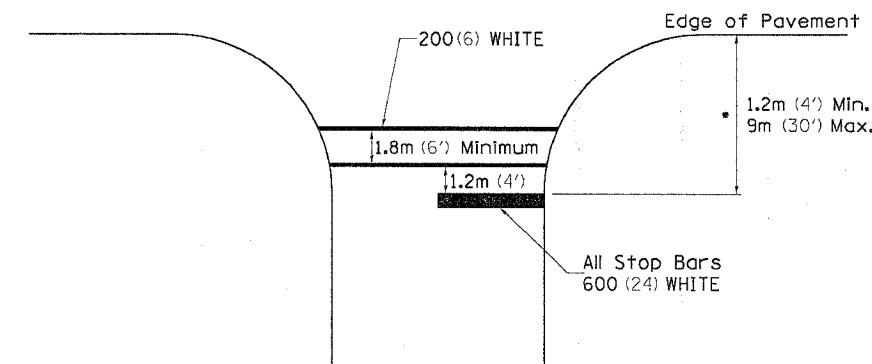
TYPICAL PARKING SPACING



•• ALL DIMENSIONS ARE IN MILLIMETERS (INCHES) UNLESS OTHERWISE NOTED.

STANDARD CROSSWALK MARKING

See Schedules for Locations



• Distance to the nearest edge of the intersecting roadway in the absence of a marked crosswalk.

PLOT DATE = Fri, Dec 18 9:52:21 AM 2009
 PLOT SCALE = 5000000 / IN
 REFERENCE = SHEET