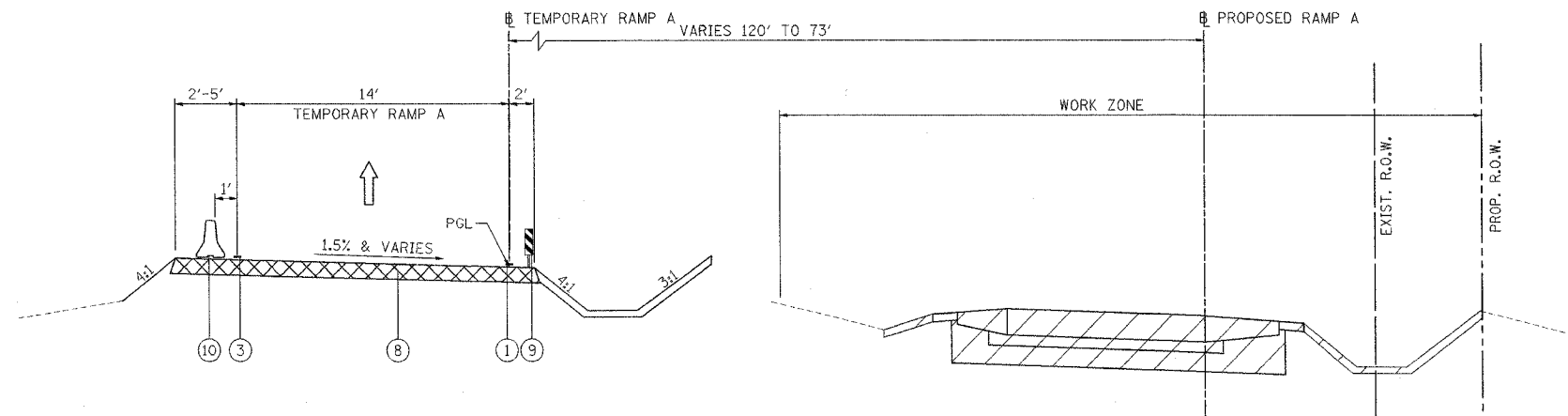
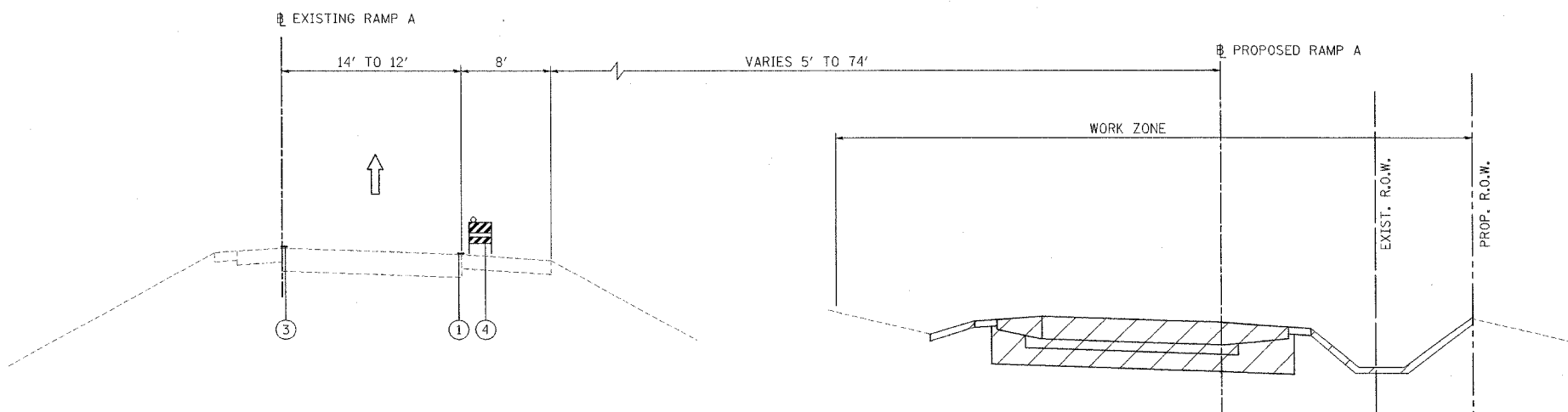


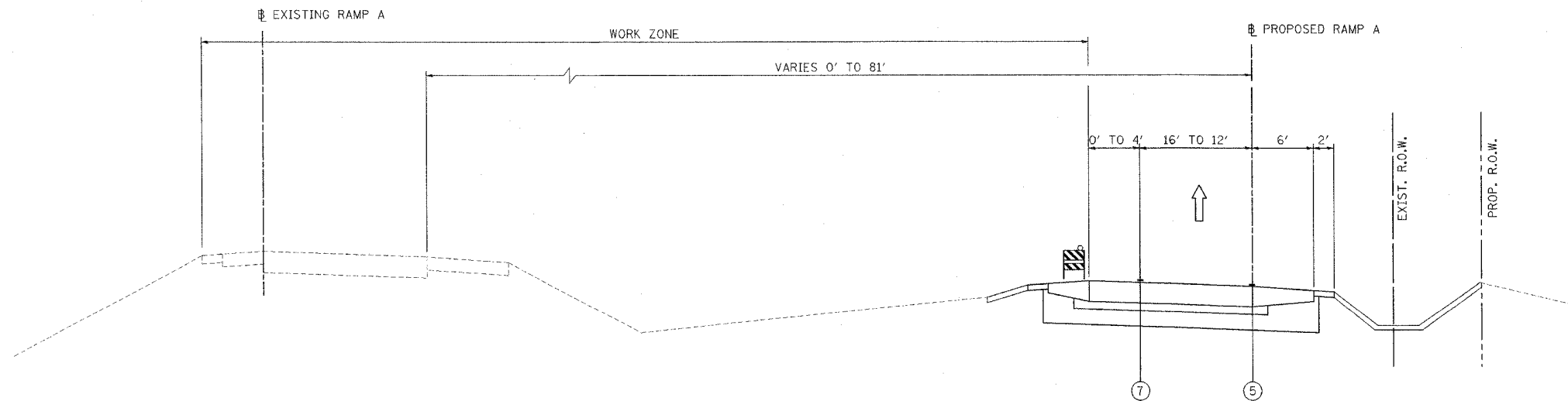
F.A.I. RTE.	SECTION	COUNTY	TOTAL SHEETS	SHEET NO.
80	(32, 47-4)K	KENDALL/GRUNDY	243	52
STA.	TO STA.			
FED. ROAD DIST. NO.	ILLINOIS FED. AID PROJECT			
CONTRACT NO. 66294				



(A1) RAMP A STAGE 1
STA. 401+07.70 TO STA. 406+63.84



(A2) RAMP A STAGE 1
STA. 406+63.84 TO STA. 416+70.65



(A3) RAMP A STAGE 1A, 1B, & 2
STA. 401+20.54 TO STA. 416+06.86

- ① TEMPORARY PAVEMENT MARKING LINE, 4 INCHES (WHITE)
- ② TEMPORARY PAVEMENT MARKING LINE, 4 INCHES (DOUBLE YELLOW)
- ③ TEMPORARY PAVEMENT MARKING LINE, 4 INCHES (YELLOW)
- ④ TYPE II BARRICADE OR DRUM WITH STEADY BURNING LIGHT
- ⑤ PAVEMENT MARKING TAPE, TYPE 3, 4 INCHES (WHITE)
- ⑥ PAVEMENT MARKING TAPE, TYPE 3, 4 INCHES (DOUBLE YELLOW)
- ⑦ PAVEMENT MARKING TAPE, TYPE 3, 4 INCHES (YELLOW)
- ⑧ TEMPORARY PAVEMENT
- ⑨ VERTICAL PANEL
- ⑩ TEMPORARY CONCRETE BARRIER

- BITUMINOUS TEMPORARY PAVEMENT, 9.5"
- NEW CONSTRUCTION

NOTE: SEE SUPERELEVATION TRANSITIONS SHEET FOR DETAILS ON THE SUPERELEVATION RATES

REVISIONS	
NAME	DATE

ILLINOIS DEPARTMENT OF TRANSPORTATION
FAI ROUTE 80 (I-80 AT MINOOKA INTERCHANGE)
SUGGESTED STAGING OF CONSTRUCTION
& TRAFFIC CONTROL
TYPICAL SECTIONS
RAMP A STAGE 1, 1A, 1B, & 2

SCALE: NONE DRAWN BY: MAT
DATE: 2/10/06 CHECKED BY: JJC