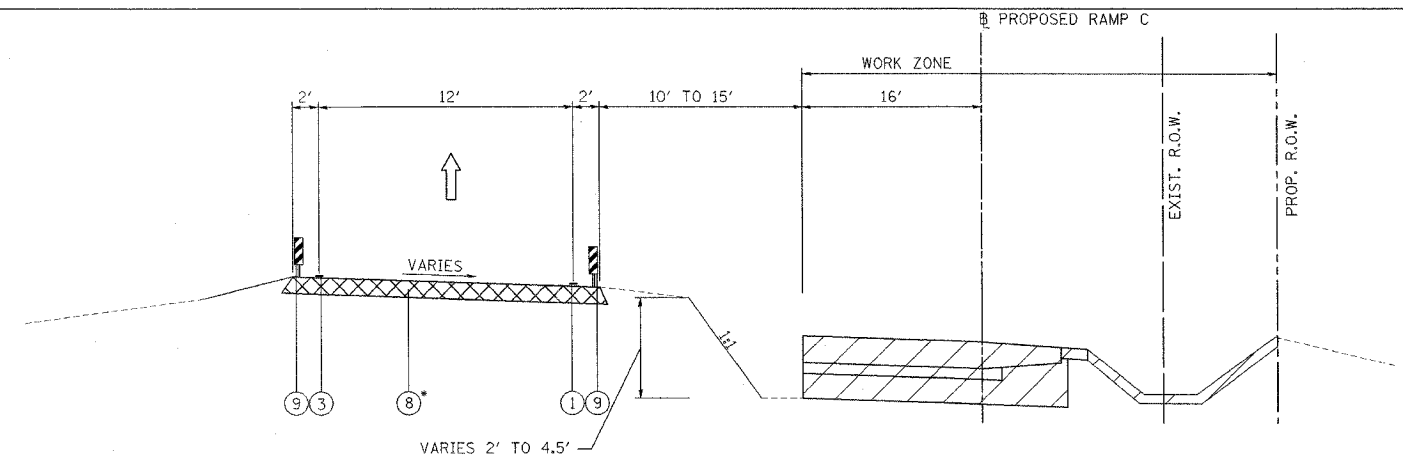
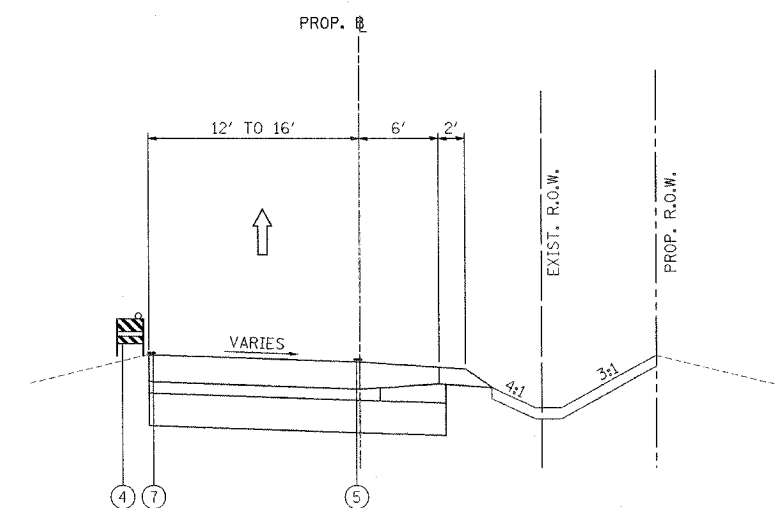


F.A.I. RTE.	SECTION	COUNTY	TOTAL SHEETS	SHEET NO.
80	(32, 47-41K)	KENDALL/GRUNDY	243	55
STA.	TO STA.			
FED. ROAD DIST. NO.	ILLINOIS	FED. AID PROJECT		
CONTRACT NO. 66294				

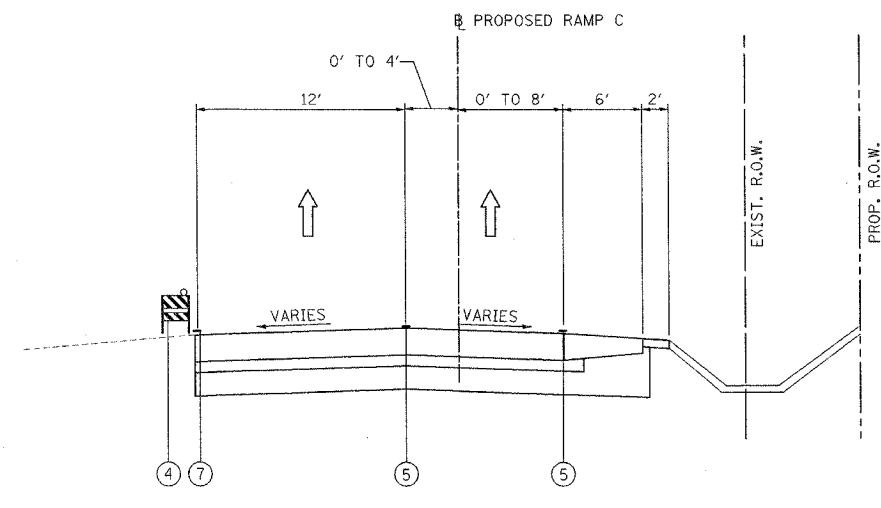


C1 RAMP C STAGE 1
 STA. 183+34.37 TO STA. 198+15.64
 *TEMPORARY PAVEMENT FROM STA. 192+26.37 TO 199+62.89

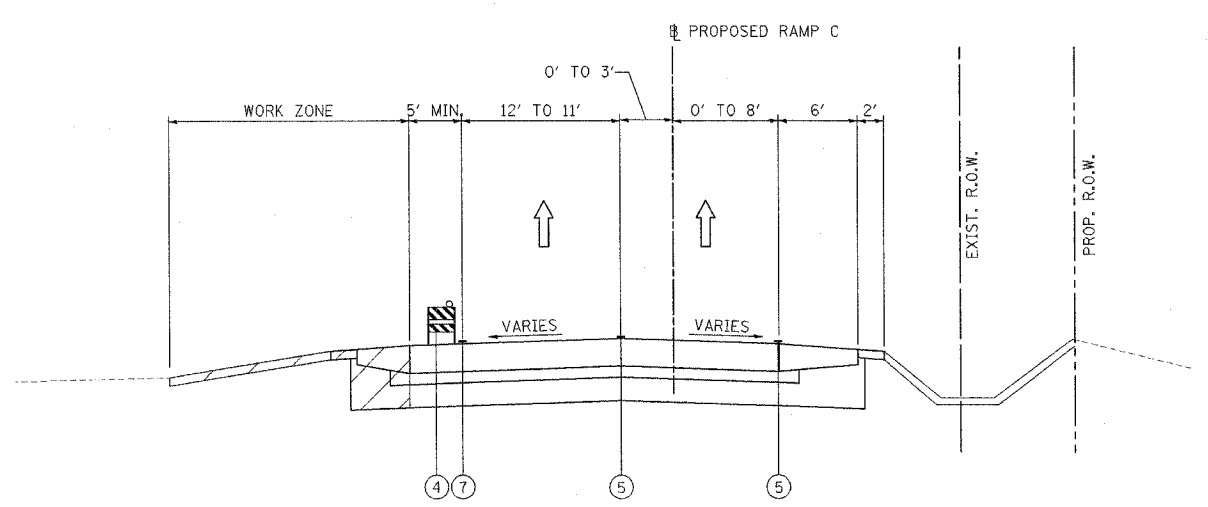
- ① TEMPORARY PAVEMENT MARKING LINE, 4 INCHES (WHITE)
 - ② TEMPORARY PAVEMENT MARKING LINE, 4 INCHES (DOUBLE YELLOW)
 - ③ TEMPORARY PAVEMENT MARKING LINE, 4 INCHES (YELLOW)
 - ④ TYPE II BARRICADE OR DRUM WITH STEADY BURNING LIGHT
 - ⑤ PAVEMENT MARKING TAPE, TYPE 3, 4 INCHES (WHITE)
 - ⑥ PAVEMENT MARKING TAPE, TYPE 3, 4 INCHES (DOUBLE YELLOW)
 - ⑦ PAVEMENT MARKING TAPE, TYPE 3, 4 INCHES (YELLOW)
 - ⑧ TEMPORARY PAVEMENT
 - ⑨ VERTICAL PANEL
- BITUMINOUS TEMPORARY PAVEMENT, 9.5"
 NEW CONSTRUCTION



C2 RAMP C STAGE 1A & 1B
 STA. 183+34.37 TO STA. 195+90.03



C3 RAMP C STAGE 1A & 1B
 1A STA. 195+90.03 TO STA. 199+13.97
 1B STA. 195+90.03 TO STA. 198+45.79



C4 RAMP C STAGE 2
 STA. 183+47.12 TO STA. 199+62.89

NOTE: SEE PLAN VIEW FOR STAGE 1A & 1B WORK ZONES

REVISIONS	
NAME	DATE

ILLINOIS DEPARTMENT OF TRANSPORTATION
 FAI ROUTE 80 (I-80 AT MINOOKA INTERCHANGE)
 SUGGESTED STAGING OF CONSTRUCTION
 & TRAFFIC CONTROL
 TYPICAL SECTIONS
 RAMP C STAGE 1, 1A, 1B, & 2

SCALE: NONE
 DATE: 2/10/06

DRAWN BY: MAT
 CHECKED BY: JJC

PATRICK
 ENGINEERING INC.
 LISLE, ILLINOIS