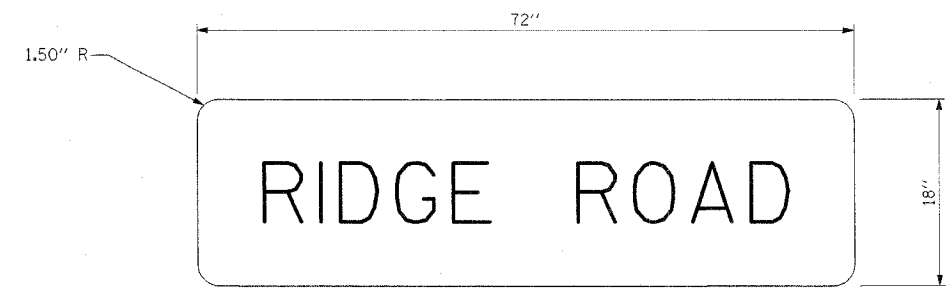
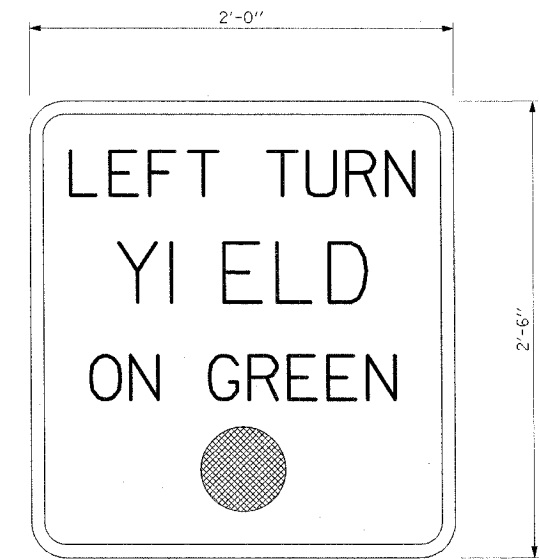


| | | | | |
|---------------------|-------------|---------------------------|--------------|-----------|
| F.A.I. RTE. | SECTION | COUNTY | TOTAL SHEETS | SHEET NO. |
| 80 | (32, 47-4)K | KENDALL/GRUNDY | 243 | 129 |
| STA. | | TO STA. | | |
| FED. ROAD DIST. NO. | | ILLINOIS FED. AID PROJECT | | |
| CONTRACT NO. 66294 | | | | |



RIDGE ROAD
 FRACTIONS SHOWN ARE SIXTEENTHS
 0.6" BORDER
 8" D SERIES LETTERS
 TYPE A SHEETING
 2 SIGN REQUIRED
 9.0 SQ FT EACH

STREET NAME SIGN DETAILS

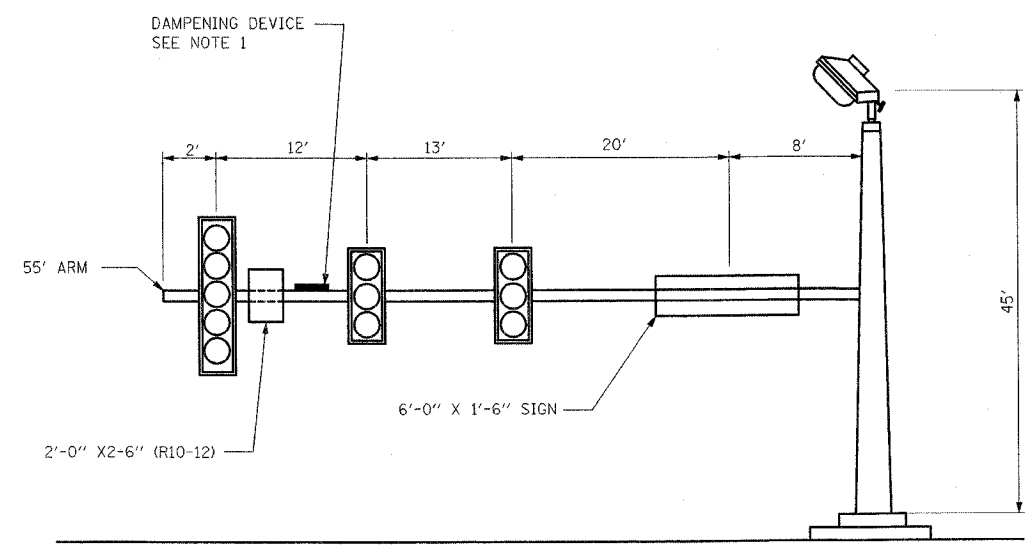


R10-12

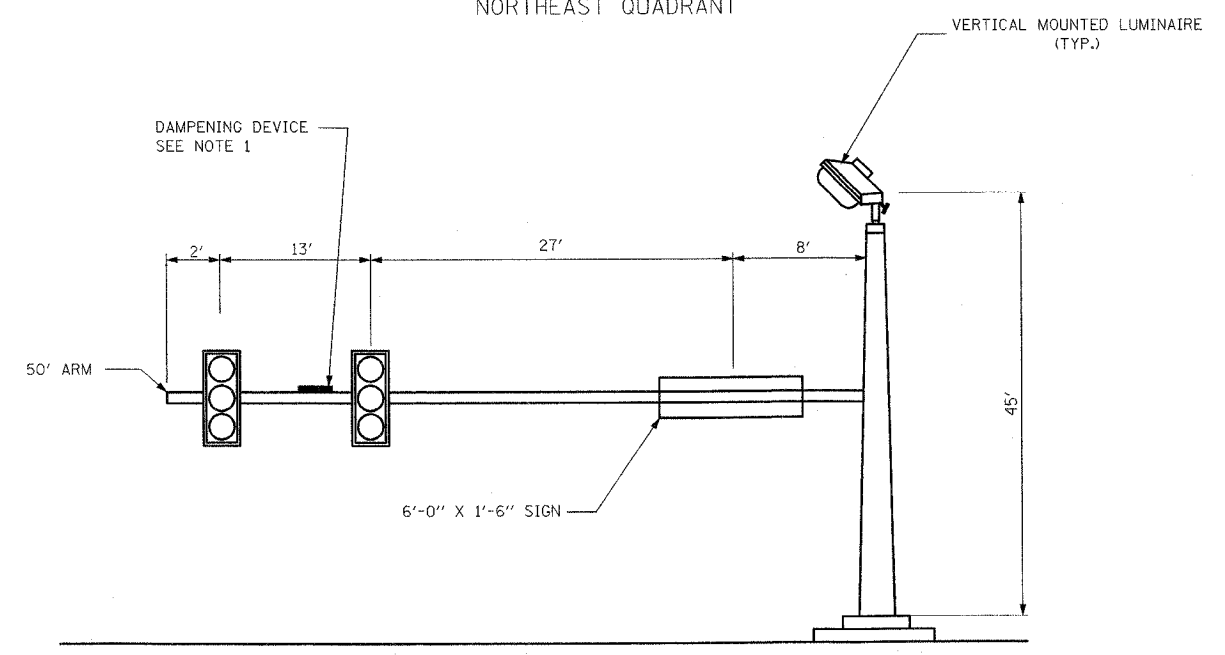
1 SIGN REQUIRED: 5 SQ FT EACH
 THIS SIGN SHALL BE LOCATED
 0'-9" TO THE RIGHT OF EACH
 5' SECTION MAST ARM MOUNTED
 LEFT TURN SIGNAL

NOTE:

- THIS NOTE APPLIES TO ALL MAST ARM LOADING DIAGRAMS. DAMPENING DEVICES SHALL CONSIST OF 24"X36" TYPE 1 UNPAINTED ALUMINUM SIGN STOCK MOUNTED HORIZONTALLY ON TOP OF MAST ARM AND STREET LIGHTING ARM WITH 36" LENGTH PERPENDICULAR TO THE MAST ARM. COST OF DAMPENING DEVICE IS INCLUDED IN THE MAST ARM PAY ITEM.



**RIDGE ROAD AT RAMPS "C" AND "D"
 MAST ARM LOADING DIAGRAM
 NORTHEAST QUADRANT**



**RIDGE ROAD AT RAMPS "A" AND "B"
 MAST ARM LOADING DIAGRAM
 NORTHEAST QUADRANT**

| REVISIONS | |
|-----------|------|
| NAME | DATE |
| | |
| | |
| | |
| | |
| | |
| | |
| | |
| | |
| | |
| | |

ILLINOIS DEPARTMENT OF TRANSPORTATION
 FAI ROUTE 80 (I-80 AT MINOOKA INTERCHANGE)

SCHEDULE OF QUANTITIES AND
 MAST ARM MOUNTED STREET NAME SIGNS
 RIDGE ROAD AT RAMPS "C" AND "D", AND
 RIDGE ROAD AT RAMPS "A" AND "B"

SCALE: NONE
 DATE: 2/10/06
 DRAWN BY: SA/KGP
 CHECKED BY: PKG

GO GANDHI AND ASSOCIATES, INC.
 ENGINEERS AND PLANNERS
 6035 N. NORTHWEST HIGHWAY
 SUITE 306
 CHICAGO, ILLINOIS 60630 TEL. (773) 774-5900