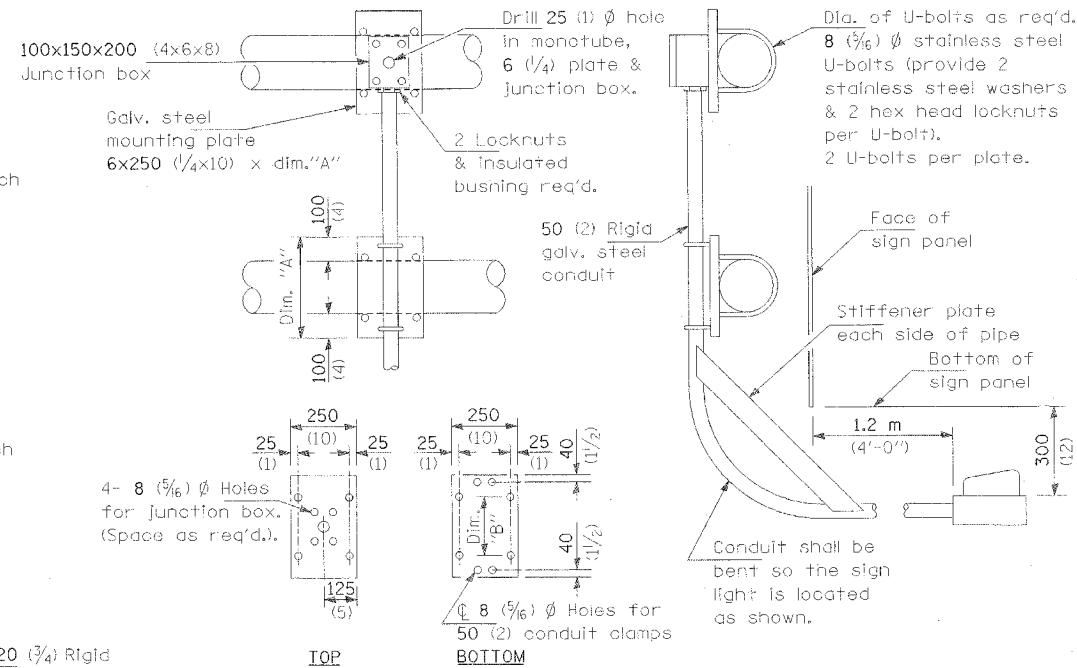
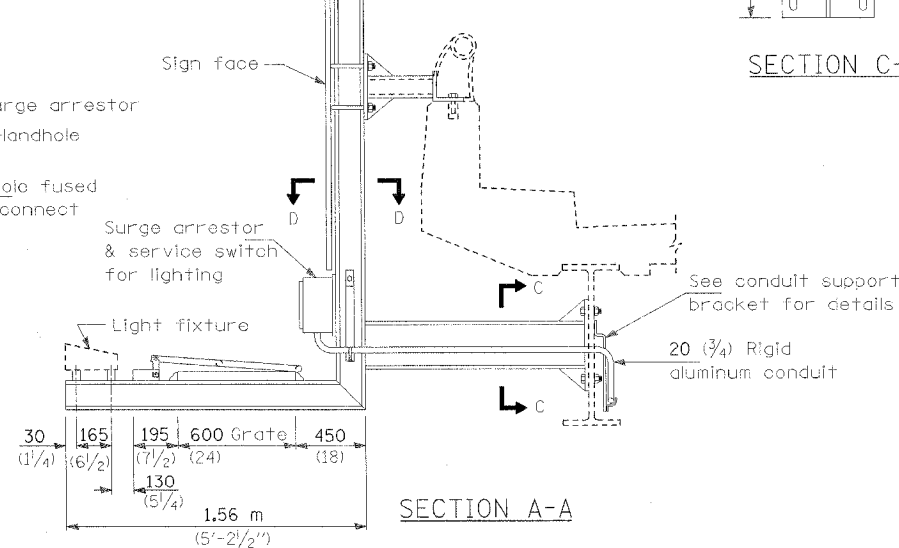
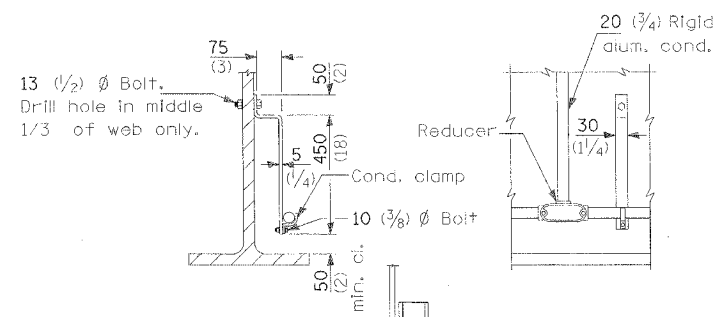
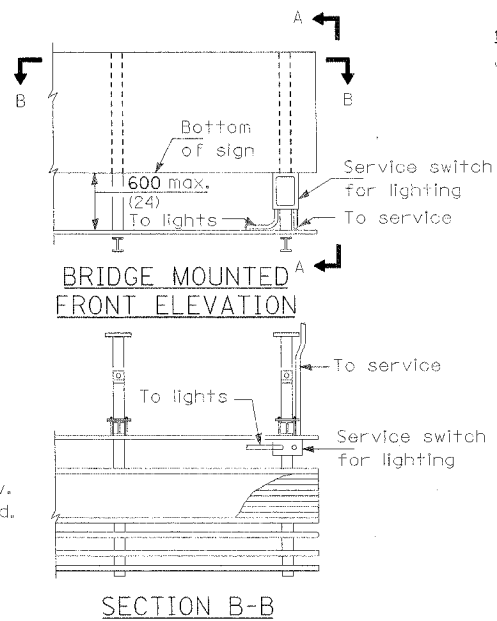
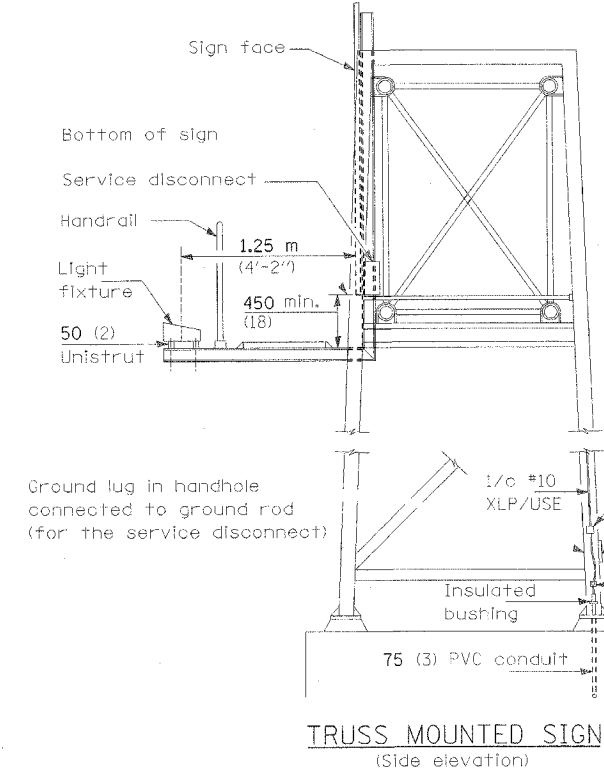
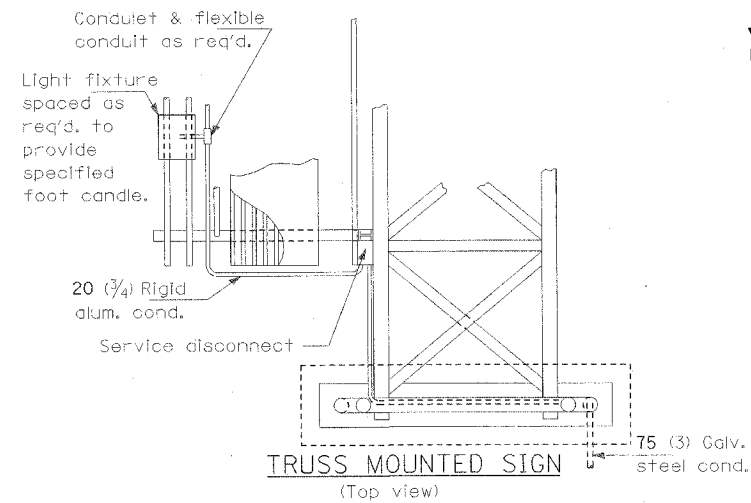
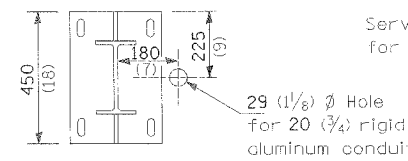


F.A.I. RTE.	SECTION	COUNTY	TOTAL SHEETS	SHEET NO.
80	(32, 47-4)K	KENDALL/GRUNDY	243	151
STA.	TO STA.			
FED. ROAD DIST. NO.	ILLINOIS	FED. AID PROJECT		
CONTRACT NO. 66294				



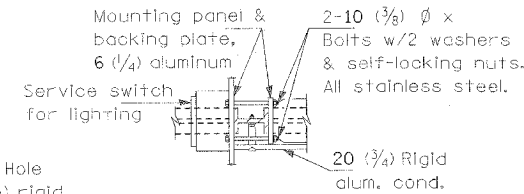
Dimension "A" = monotube dia. + 200 (8)  
Dimension "B" = monotube dia. + 10 (3/8)

MOUNTING PLATES



SECTION C-C

CANTILEVER MOUNTED TWIN MONOTUBE



SECTION D-D

GENERAL NOTES

All sign lighting fixtures shall have a minimum of 3 mounting points.

All mounting hardware shall be stainless steel.

All dimensions are in millimeters unless otherwise shown.

SIGN LIGHTING DETAILS

REVISIONS	
NAME	DATE

ILLINOIS DEPARTMENT OF TRANSPORTATION  
FAI ROUTE 80 (I-80 AT MINOOKA INTERCHANGE)  
LIGHTING STANDARDS  
SIGN LIGHTING DETAILS

SCALE: NONE  
DATE: 2/10/06

DRAWN BY: KGP/MAE  
CHECKED BY: MAE/PKG

LGT013.M32

