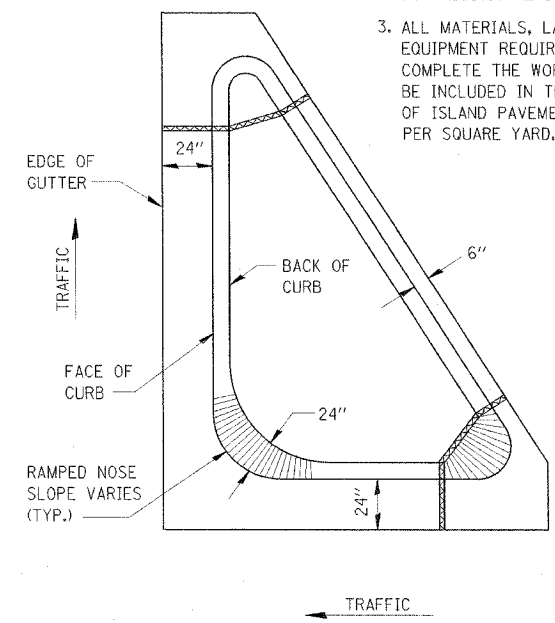


F.A.I. RTE.	SECTION	COUNTY	TOTAL SHEETS	SHEET NO.
80	(32, 47-4)K	KENDALL/GRUNDY	243	189
STA.	TO STA.			
FED. ROAD DIST. NO.	ILLINOIS	FED. AID PROJECT		

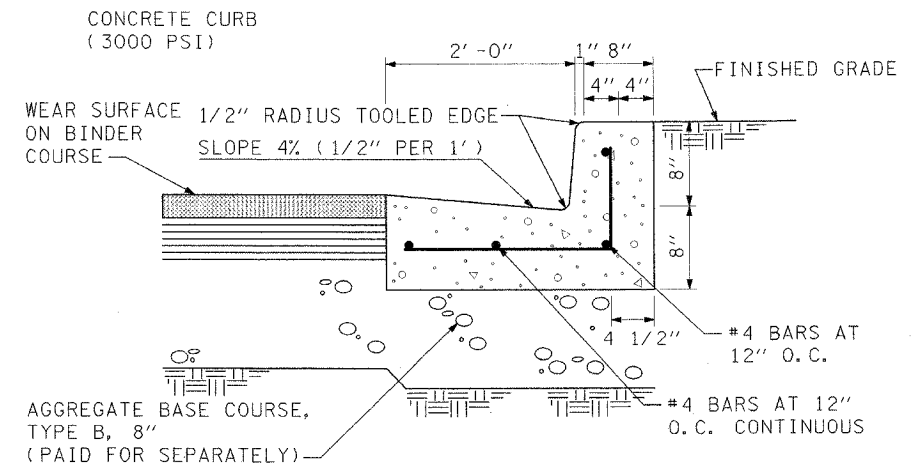
CONTRACT NO. 66294

**GENERAL NOTES:**

1. THE CURB AND GUTTER CONFIGURATION SHALL BE M-6.06 & M-6.24
2. SEE STD. 606001 & AND 606301 FOR ADDITIONAL DETAILS.
3. ALL MATERIALS, LABOR, AND EQUIPMENT REQUIRED TO COMPLETE THE WORK SHALL BE INCLUDED IN THE COST OF ISLAND PAVEMENT (SPECIAL) PER SQUARE YARD.



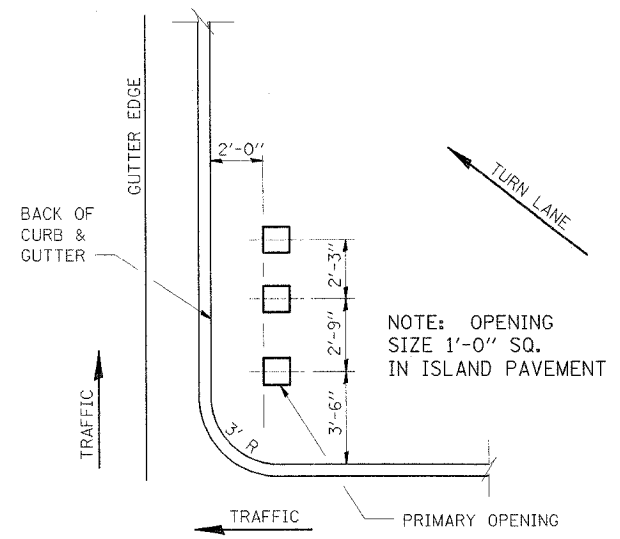
**606-1**



**NOTE:** PROVIDE CONTROL JOINTS AT 20'-0" OC  
PROVIDE EXPANSION JOINTS AT 60'-0" OC

REINFORCEMENT SHALL NOT BE PAID FOR SEPARATELY BUT WILL BE INCLUDED IN THE CONTRACT UNIT PRICE FOR CC&G, (SPCL).

**COMBINATION CONCRETE CURB AND GUTTER, (SPECIAL)**



**NOTE:** OPENING SIZE 1'-0" SQ. IN ISLAND PAVEMENT

**ISLAND SIGN POST SPACING DETAIL**

**NOTE:** THE ENGINEER SHALL DETERMINE THE NUMBER OF OPENINGS REQUIRED.

**606-2**

REVISIONS	
NAME	DATE

ILLINOIS DEPARTMENT OF TRANSPORTATION  
FAI ROUTE 80 (I-80 AT MINOOKA INTERCHANGE)

CURB AND GUTTER AND ISLAND DETAILS

SCALE: NONE  
DATE: 2/10/06

DRAWN BY: TCK  
CHECKED BY: JJC

DEC. 2000  
DETAILS\6060699.dgn  
6/1/01