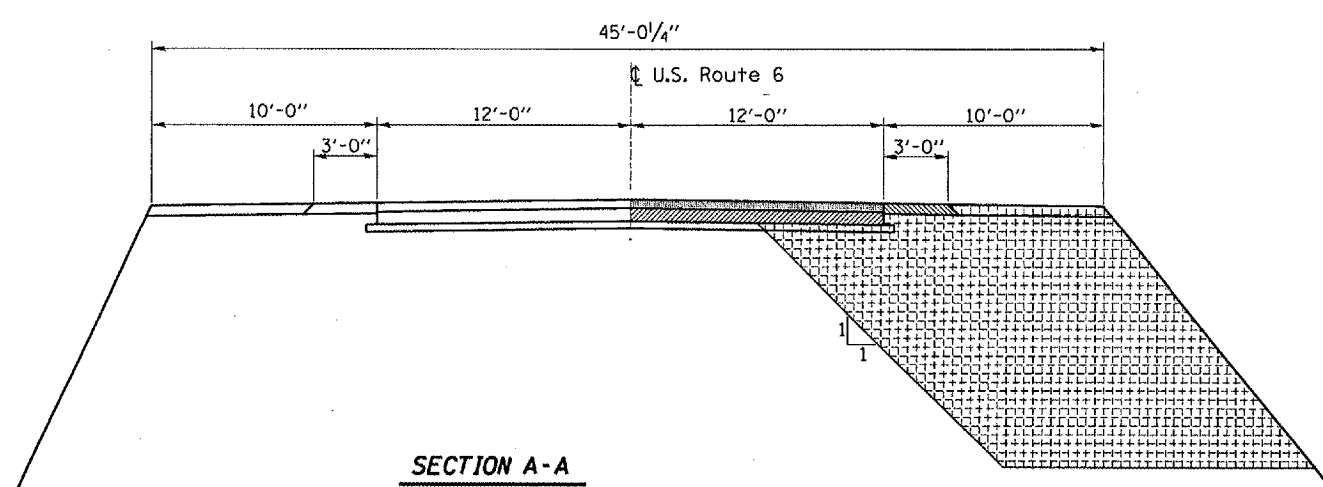
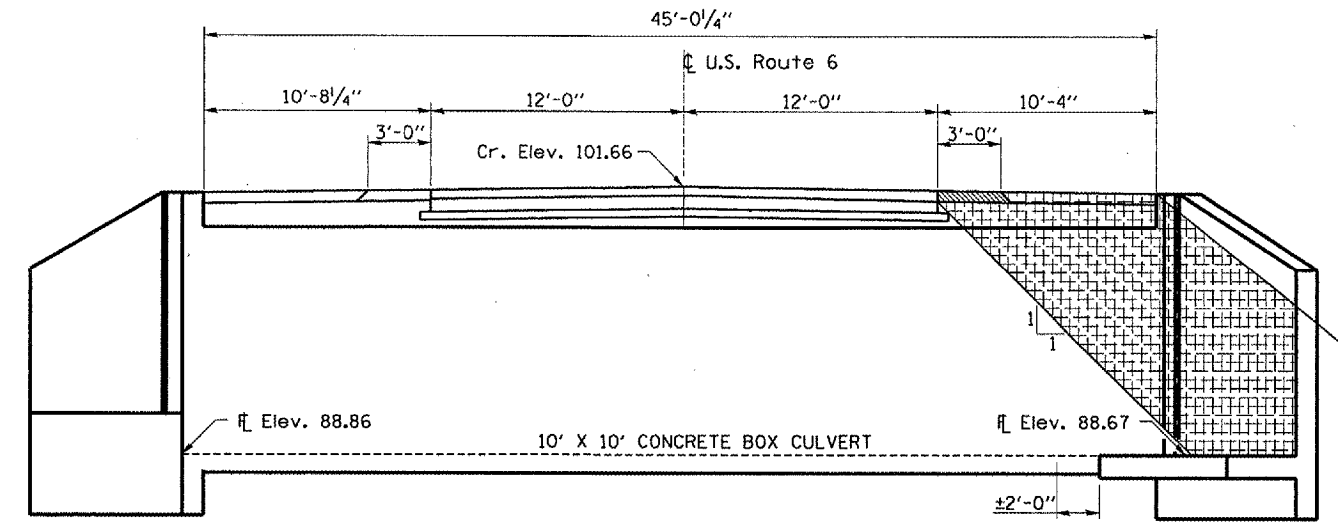


F.A.P. RTE.	SECTION	COUNTY	TOTAL SHEETS	SHEET NO.
623	(30)1-1	LASALLE	12	5
FED. ROAD DIST. NO. ILLINOIS				

BM #1 NORTHWEST CORNER HEADWALL ELEV. 100.00



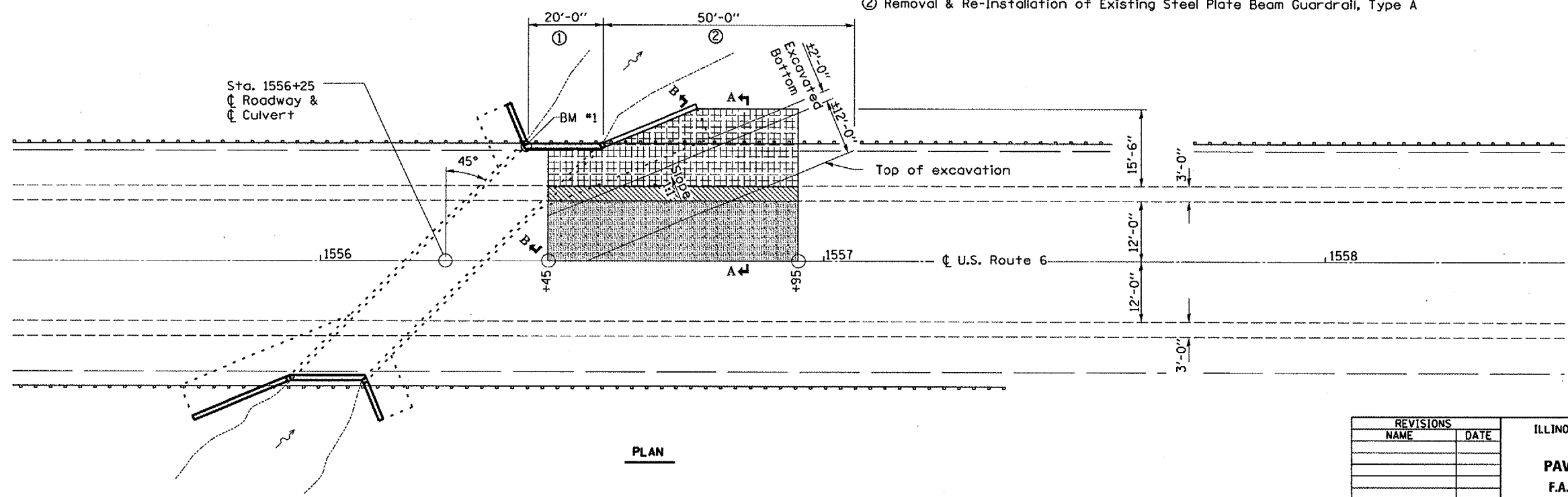
SECTION A-A



SECTION B-B

- BITUMINUS SURFACE REMOVAL & REPLACEMENT
- BITUMINOUS SHOULDER REMOVAL & REPLACEMENT
- EARTH EXCAVATION & FURNISHED EXCAVATION
- CLASS B PATCH, TYPE IV 9"

- ① Removal & Re-Installation of Existing Steel Plate Beam Guardrail, Attached to Structure
- ② Removal & Re-Installation of Existing Steel Plate Beam Guardrail, Type A



PLAN

REVISIONS	
NAME	DATE

ILLINOIS DEPARTMENT OF TRANSPORTATION
PAVEMENT REMOVAL DETAILS
 F.A.P. 623 (U.S. 6) SECTION (30)1-1
 LASALLE COUNTY
 STA. 1556 + 25
 DATE 12/20/2005 DRAWN BY RLW

Date: 11/07/2005
 File: c:\projects\cm06\cm324\details.dgn