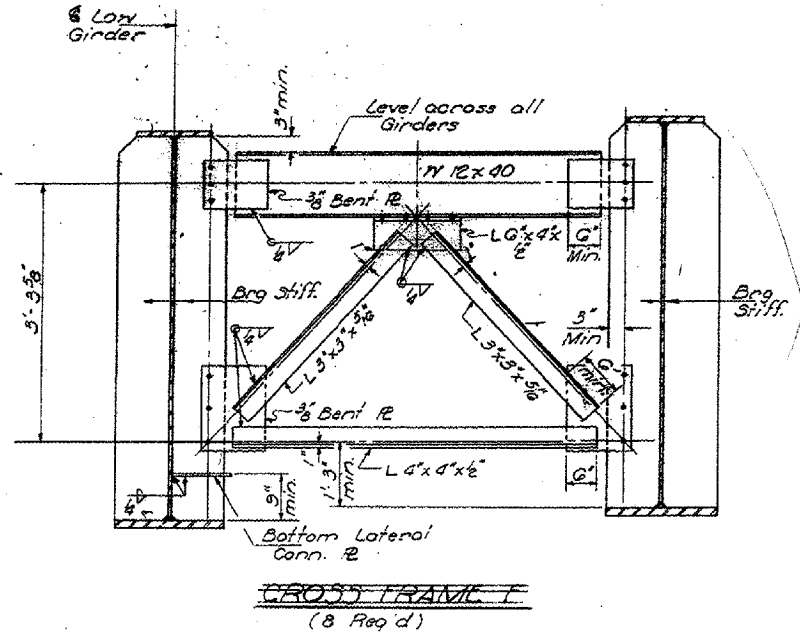
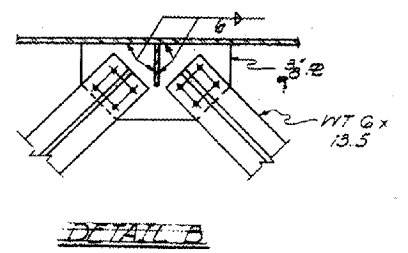
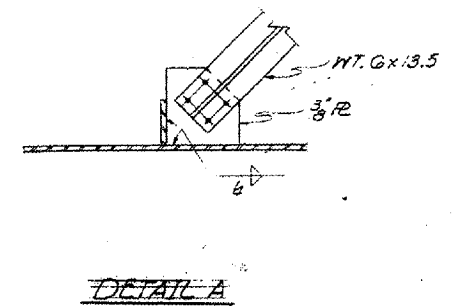
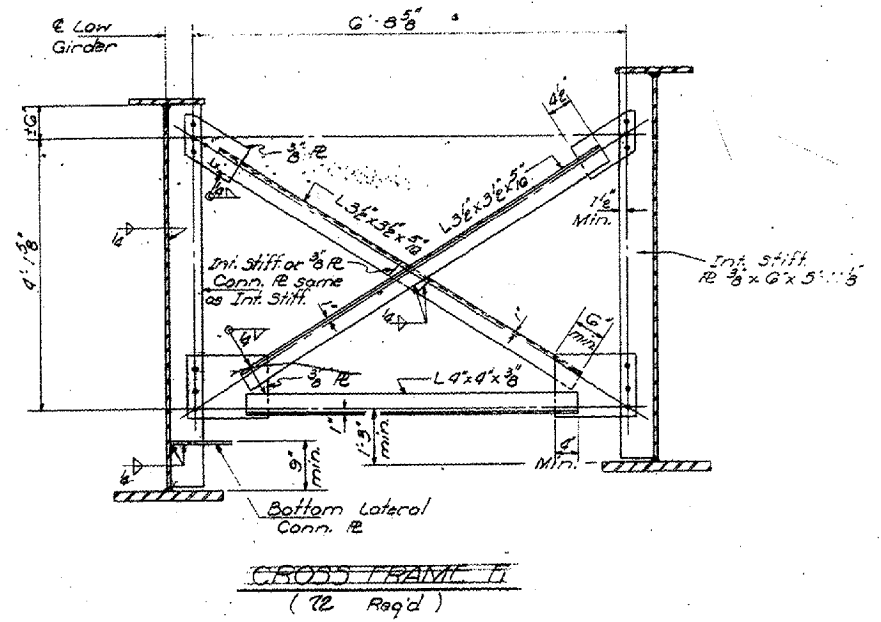
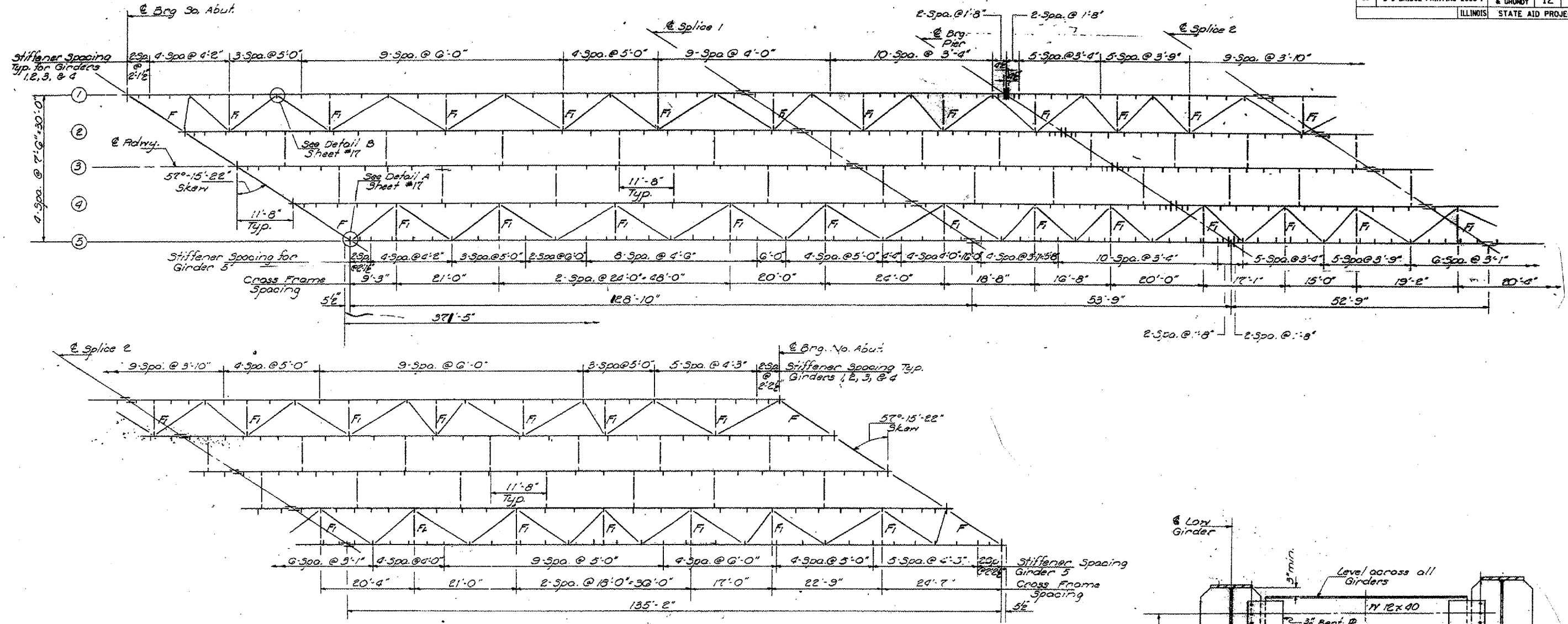


F.A.I. RTE.	SECTION	COUNTY	TOTAL SHEETS	SHEET NO.
55	D-3 BRIDGE PAINTING 2006-1	LIVINGSTON & GRUNDY	12	8
ILLINOIS			STATE AID PROJECT	



REVISIONS	
NAME	DATE

ILLINOIS DEPARTMENT OF TRANSPORTATION
**EXISTING STRUCTURE PLANS
 FOR INFORMATION ONLY**
BRIDGE NO. 1
S.N. 053-0119

SCALE: VERT. _____
 HORIZ. _____
 DATE 01/19/06

DRAWN BY RW
 CHECKED BY _____

Date: 01/19/06
 File: c:\projects\bridgepaint06\2006-1\details.dgn