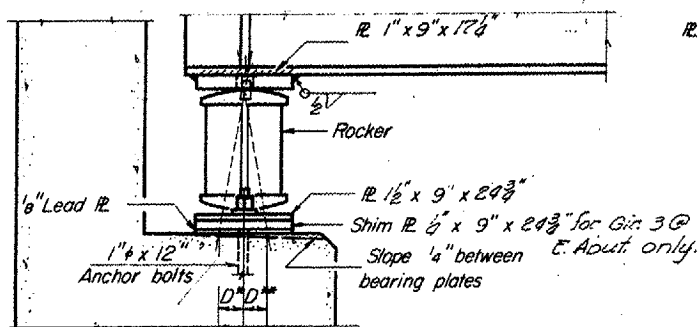
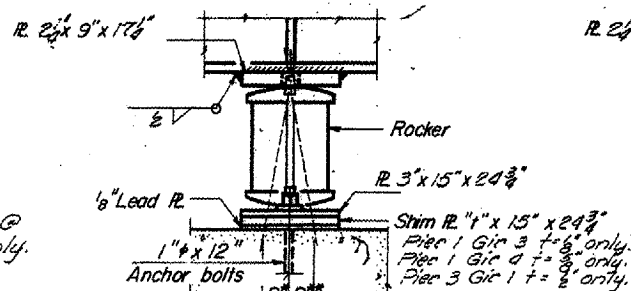


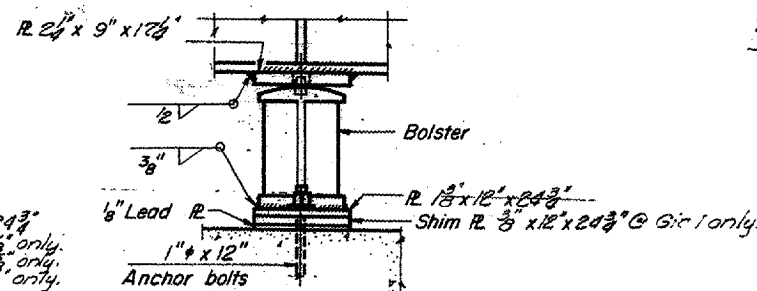
F.A.I. RFE.	SECTION	COUNTY	TOTAL SHEETS	SHEET NO.
55	D-3 BRIDGE PAINTING 2006-1	LIVINGSTON & GRUNDY	12	12
ILLINOIS			STATE AID PROJECT	



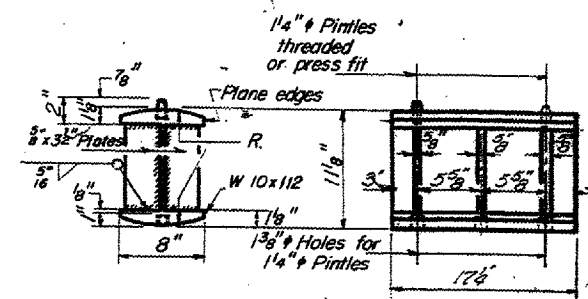
SECTION



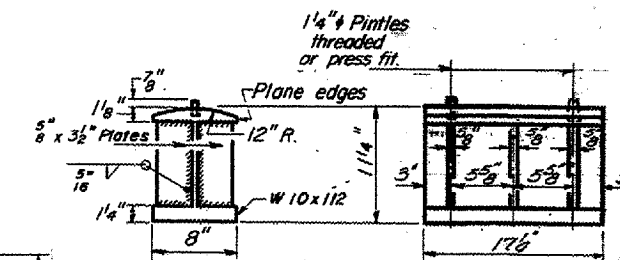
ELEVATION



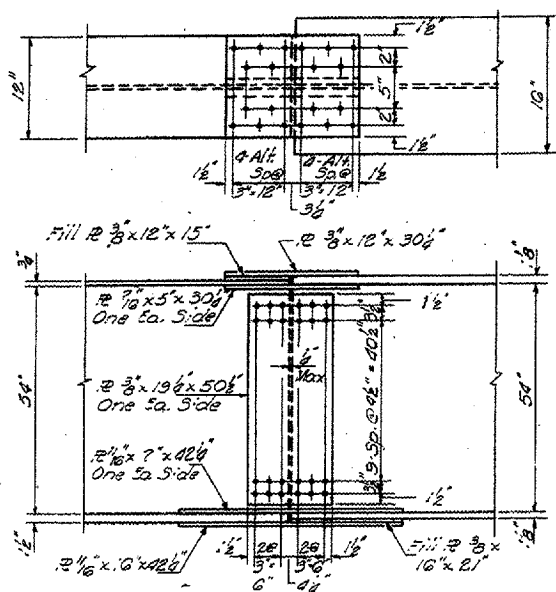
ELEVATION



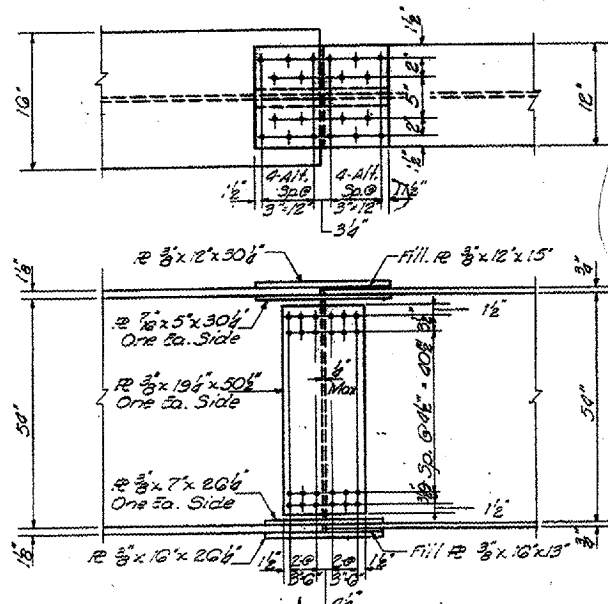
ROCKER
R=12" @ Piers 1 & 3
R=11" @ Abutments



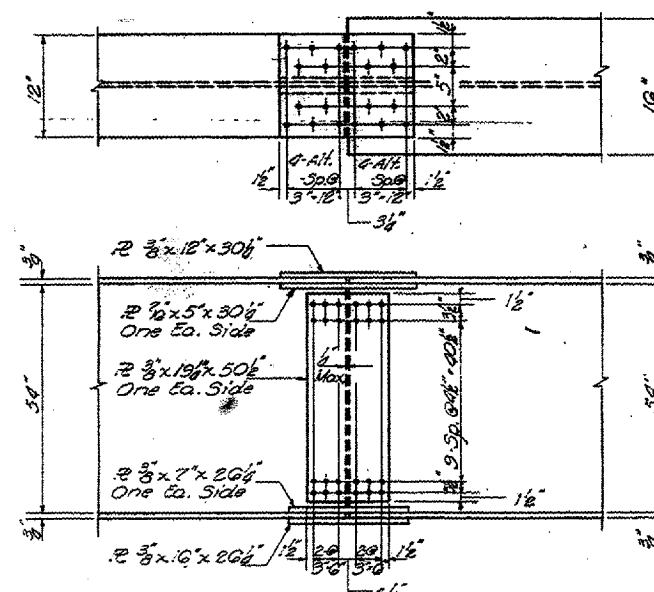
BOLSTER



SPLICE 1 & 2



SPLICE 3 & 4



SPLICE 5 & 6

REVISIONS	NAME	DATE

ILLINOIS DEPARTMENT OF TRANSPORTATION
**EXISTING STRUCTURE PLANS
FOR INFORMATION ONLY**
BRIDGE NO. 2
S.N. 032-0078

SCALE: VERT. DATE 01/19/06
DRAWN BY RW
CHECKED BY