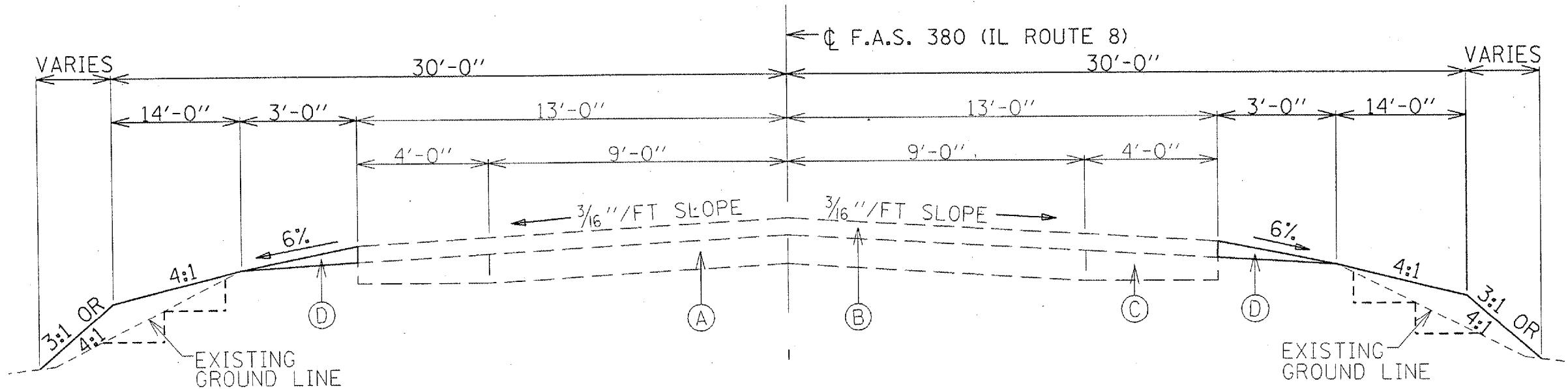


F.A.S. RTE.	SECTION	COUNTY	TOTAL SHEETS	SHEET NO.
380		KNOX	35	5
• D4 CULVERT EXT/REPAIR 2006				



**IL ROUTE 8 TYPICAL SECTION
(EXISTING AND PROPOSED)**

NOTE

THE CONTRACTOR SHALL RIP (BENCH) THE EXISTING GROUND LINE BEFORE THE PLACEMENT OF ANY EMBANKMENT MATERIAL. TYPICAL EACH SIDE.
(SEE DISTRICT STANDARD 205001-D4 FOR DETAILS)

LEGEND

- (A) EXISTING P.C.C. PAVEMENT
- (B) EXISTING BITUMINOUS OVERLAY
- (C) EXISTING BITUMINOUS CONCRETE BASE COURSE WIDENING
- (D) PROPOSED AGGREGATE SHOULDER, TYPE B (WEDGE)

REVISIONS	
NAME	DATE

ILLINOIS DEPARTMENT OF TRANSPORTATION

TYPICAL SECTION