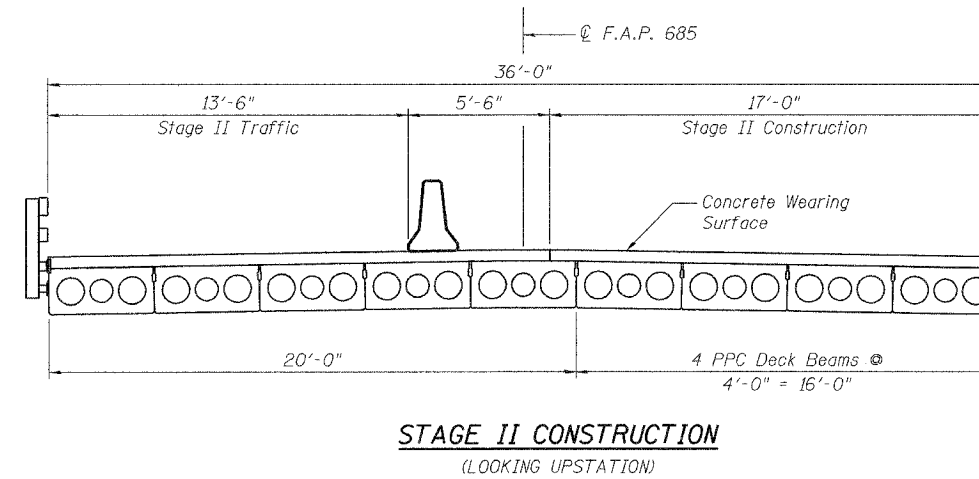
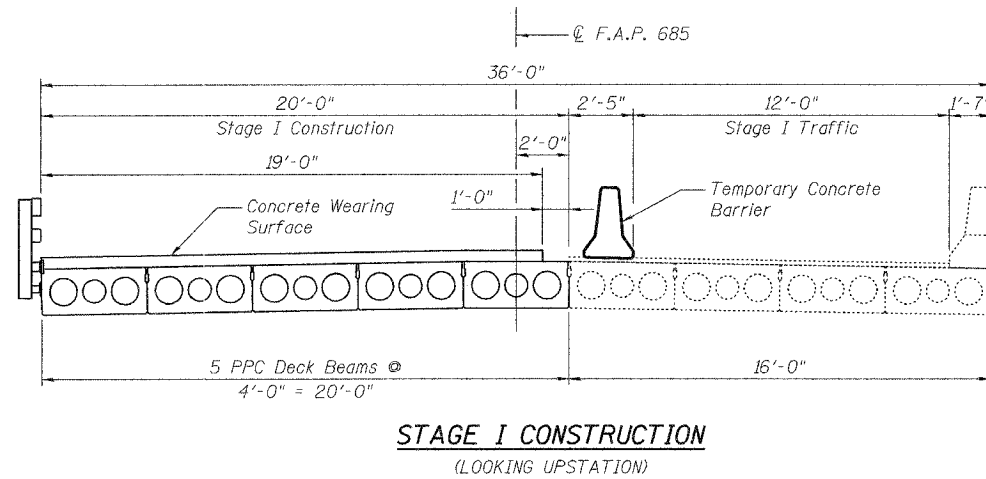
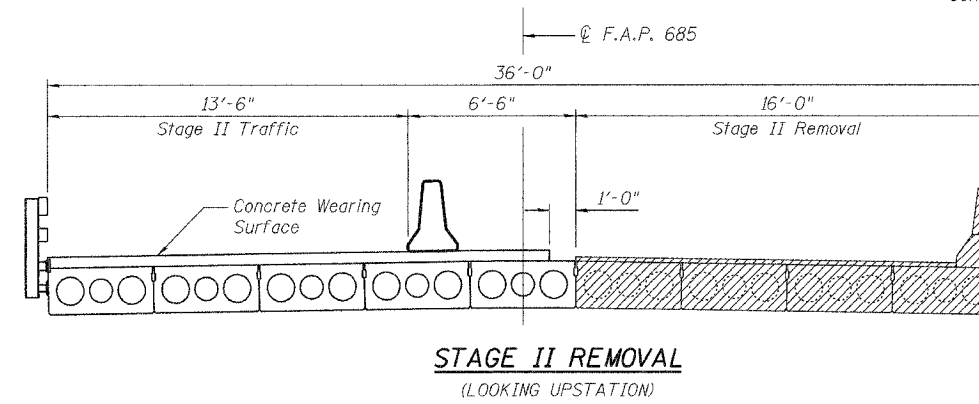
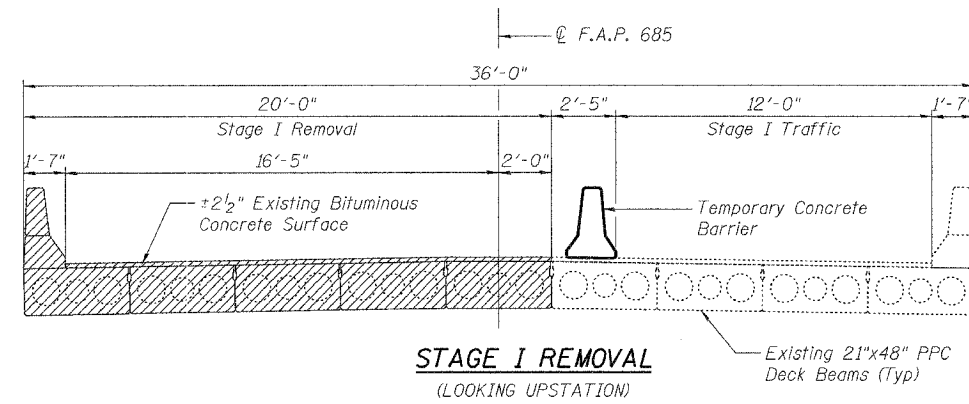



STATE OF ILLINOIS
DEPARTMENT OF TRANSPORTATION

ROUTE NO. F.A.P. 685	SECTION (39BR)I	COUNTY FULTON	SHEET NO. 22	BHEET NO. 11	SHEET NO. 2 13 SHEETS
FED. ROAD DIST. NO. 7		ILLINOIS	FED. AID PROJECT		

Contract # 68497



 Indicates Removal of Existing Superstructures

DESIGNED	BWP
CHECKED	KPC
DRAWN	BWP
CHECKED	KPC

STAGE CONSTRUCTION
ILLINOIS ROUTE 9 OVER
LOST GROVE CREEK
F.A.P. ROUTE 685 SECTION (39BR)I
FULTON COUNTY
SN 029-0052