

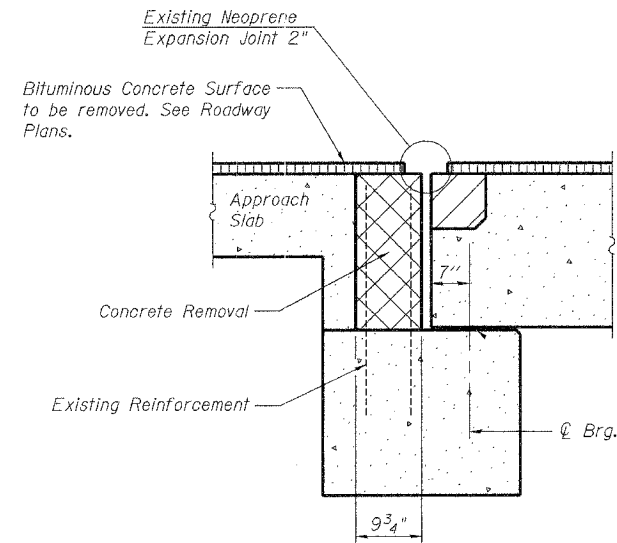
STATE OF ILLINOIS  
DEPARTMENT OF TRANSPORTATION

ROUTE NO.	SECTION	COUNTY	SHEET NO.	SHEET NO.
F.A.P. 685	(39BR)I	FULTON	22	18
FED. ROAD DIST. NO. 7	ILLINOIS	FED. AID PROJECT		

SHEET NO. 9  
13 SHEETS

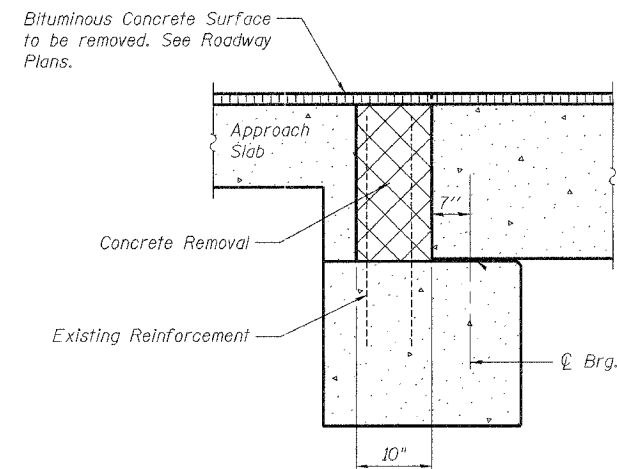
Contract # 68497

Notes:  
Hatched areas indicate Concrete Removal  
Existing reinforcement extending into new construction shall be cut off flush. Cost included with Concrete Removal.  
Removal of existing neoprene expansion joint is incidental to Concrete Removal.



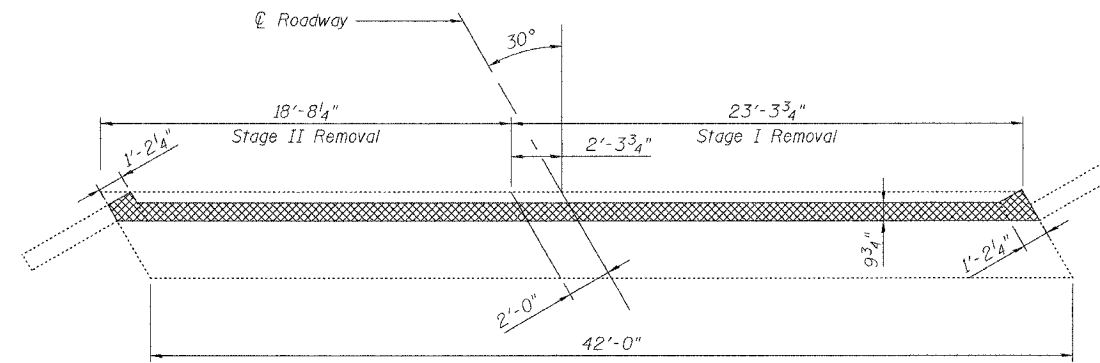
**SECTION THRU EXISTING EAST ABUTMENT**

All horizontal dimensions are at right angles to beam ends.

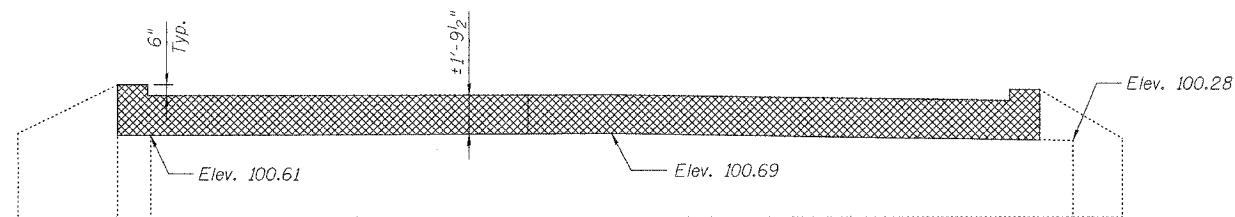


**SECTION THRU EXISTING WEST ABUTMENT**

All horizontal dimensions are at right angles to beam ends.

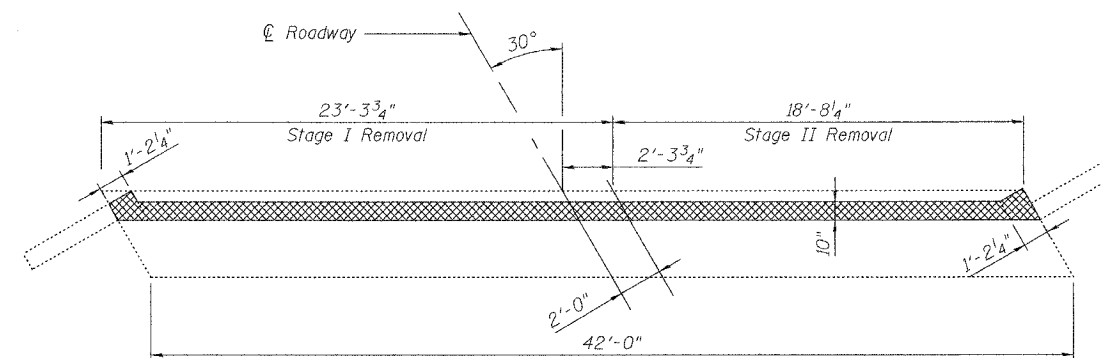


**PLAN-EAST ABUTMENT**

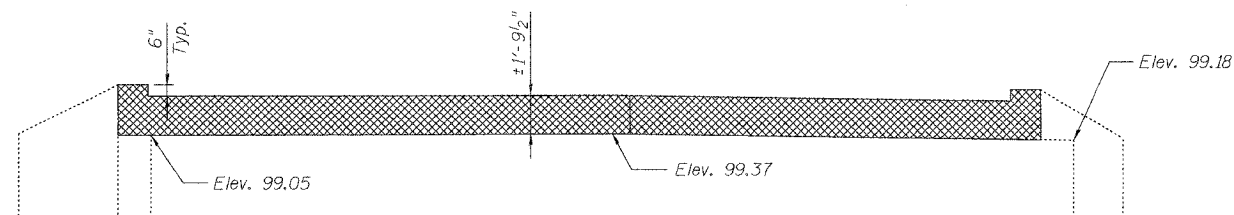


**ELEVATION- EAST ABUTMENT**

(LOOKING EAST)



**PLAN-WEST ABUTMENT**



**ELEVATION- WEST ABUTMENT**

(LOOKING WEST)

**BILL OF MATERIAL**

ITEM	UNIT	TOTAL
Concrete Removal	Cu. Yd.	4.8

**CONCRETE REMOVAL  
ILLINOIS ROUTE 9 OVER  
LOST GROVE CREEK  
F.A.P. ROUTE 685 SECTION (39BR)I  
FULTON COUNTY  
SN 029-0052**

DESIGNED	BWP
CHECKED	KPC
DRAWN	BWP
CHECKED	KPC