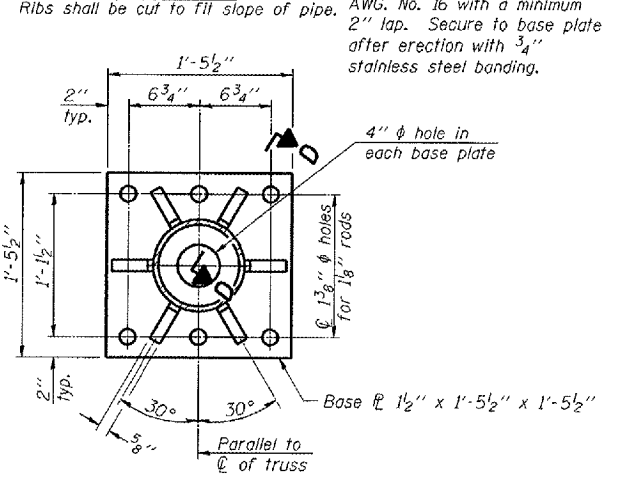
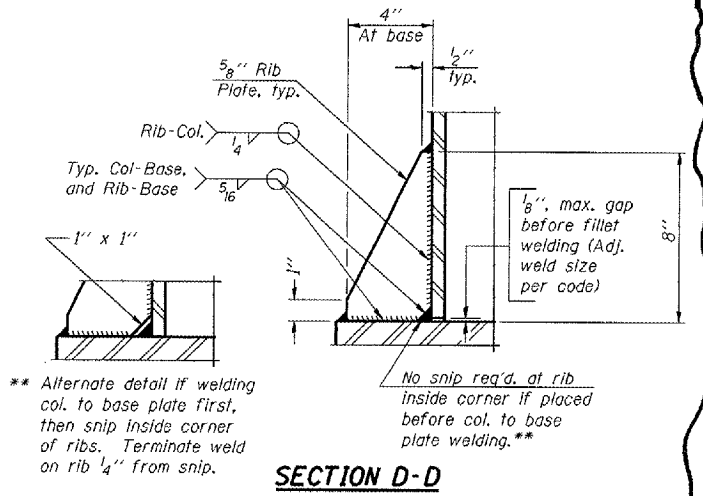


**DETAIL B**

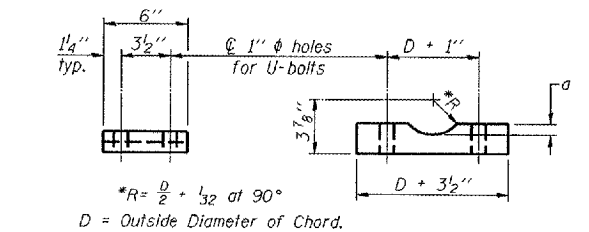


**SECTION B-B**

NUMBER	REVISION	DATE



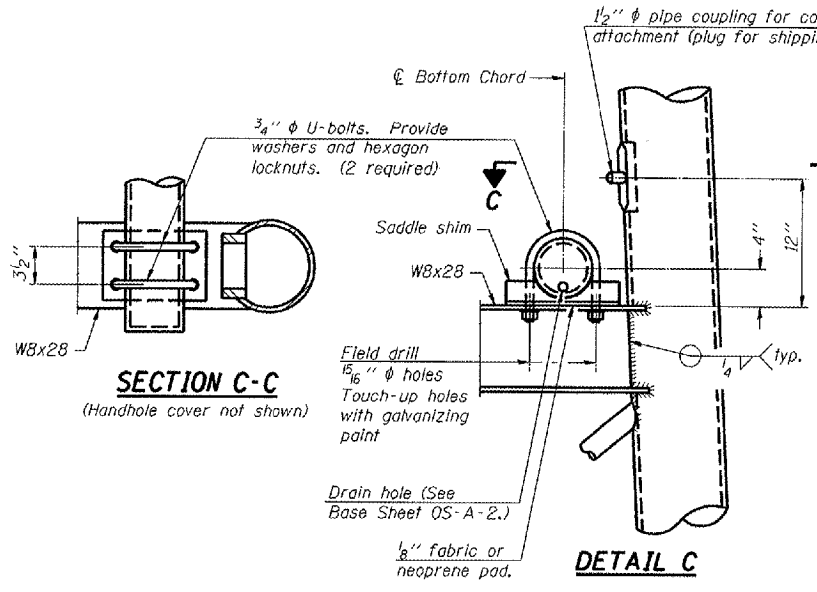
**SECTION D-D**



**SADDLE SHIM DETAIL**

ASTM B26 Alloy 356-F  
 or  
 ASTM B209 Alloy 6061-T651  
 (4 required per sign truss)

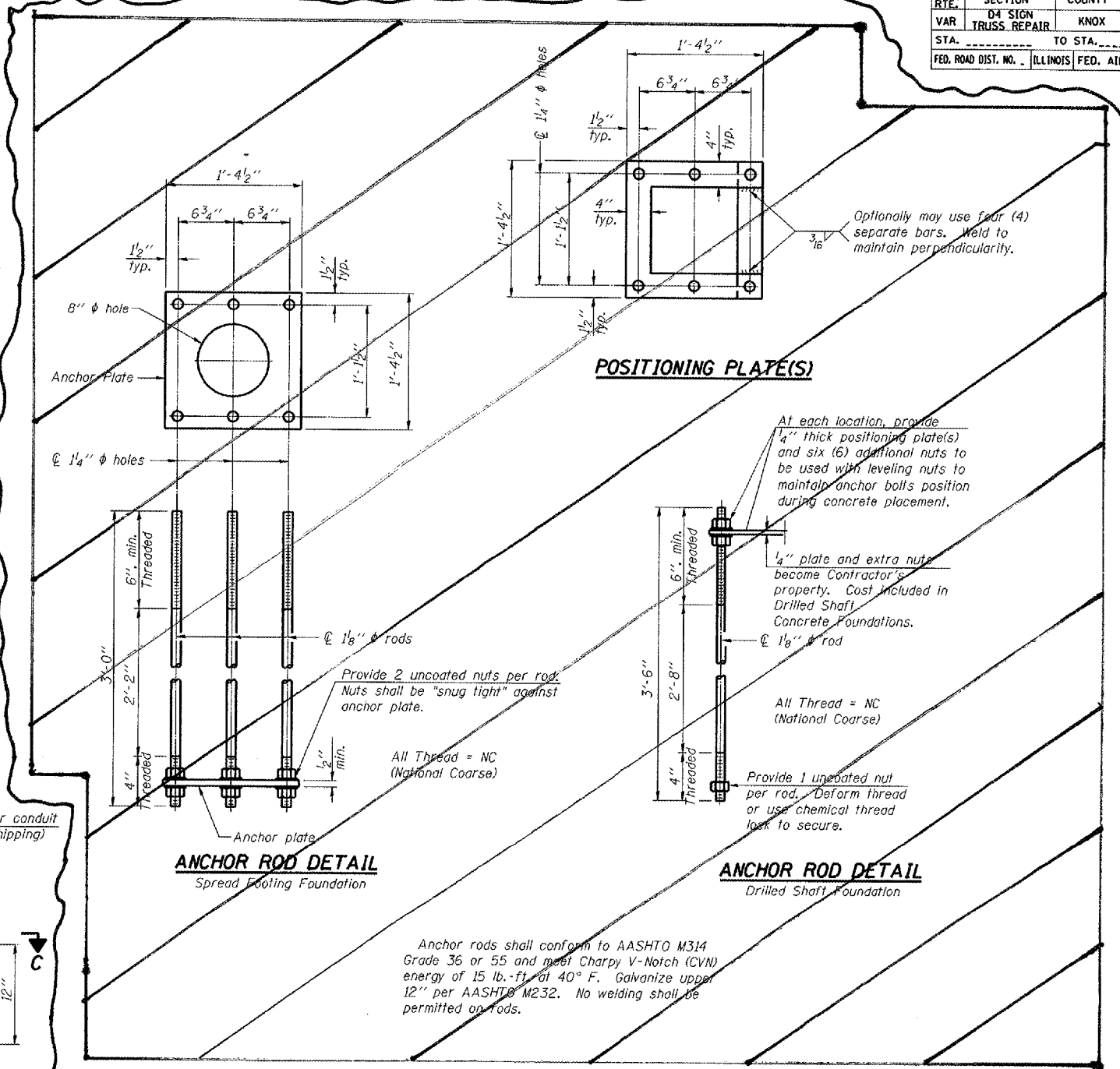
Truss Chord Nominal Dia.	a
5"	3 1/4"
5 1/2"	4 1/8"
6"	4 7/8"
6 1/2"	5 1/2"



**SECTION C-C**

(Handhole cover not shown)

**DETAIL C**



**TYPE I-A TRUSS  
 8"  $\phi$  PIPE SUPPORT FRAME DETAILS**

**OVERHEAD SIGN STRUCTURES  
 SUPPORT FRAME DETAILS ALUMINUM TRUSS**

STRUCTURE # 4S048U150L012.1  
 D4 SIGN  
 TRUSS REPAIR 2006

Revised 4-18-06