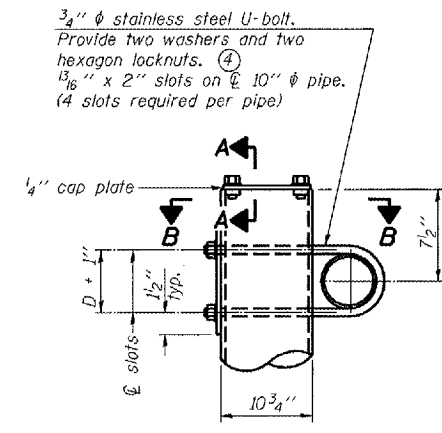
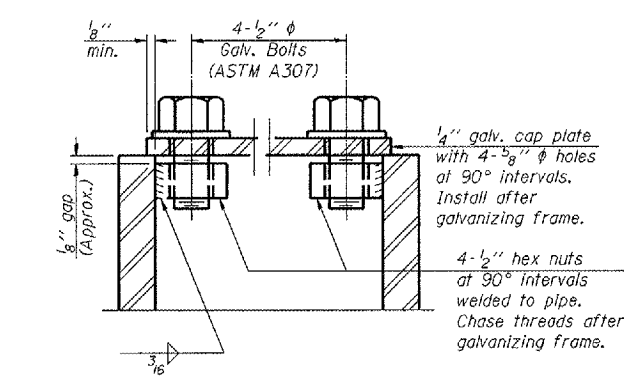


F.A. RTE.	SECTION	COUNTY	TOTAL SHEETS	SHEET NO.
VAR	D4 SIGN TRUSS REPAIR	KNOX	14	8
STA.	TO STA.			
FED. ROAD DIST. NO.	ILLINOIS FED. AID PROJECT			

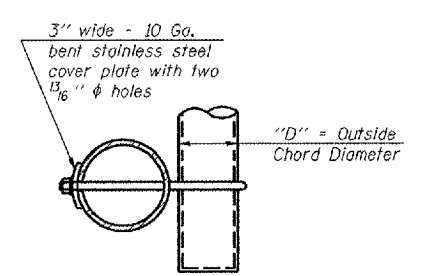


DETAIL A

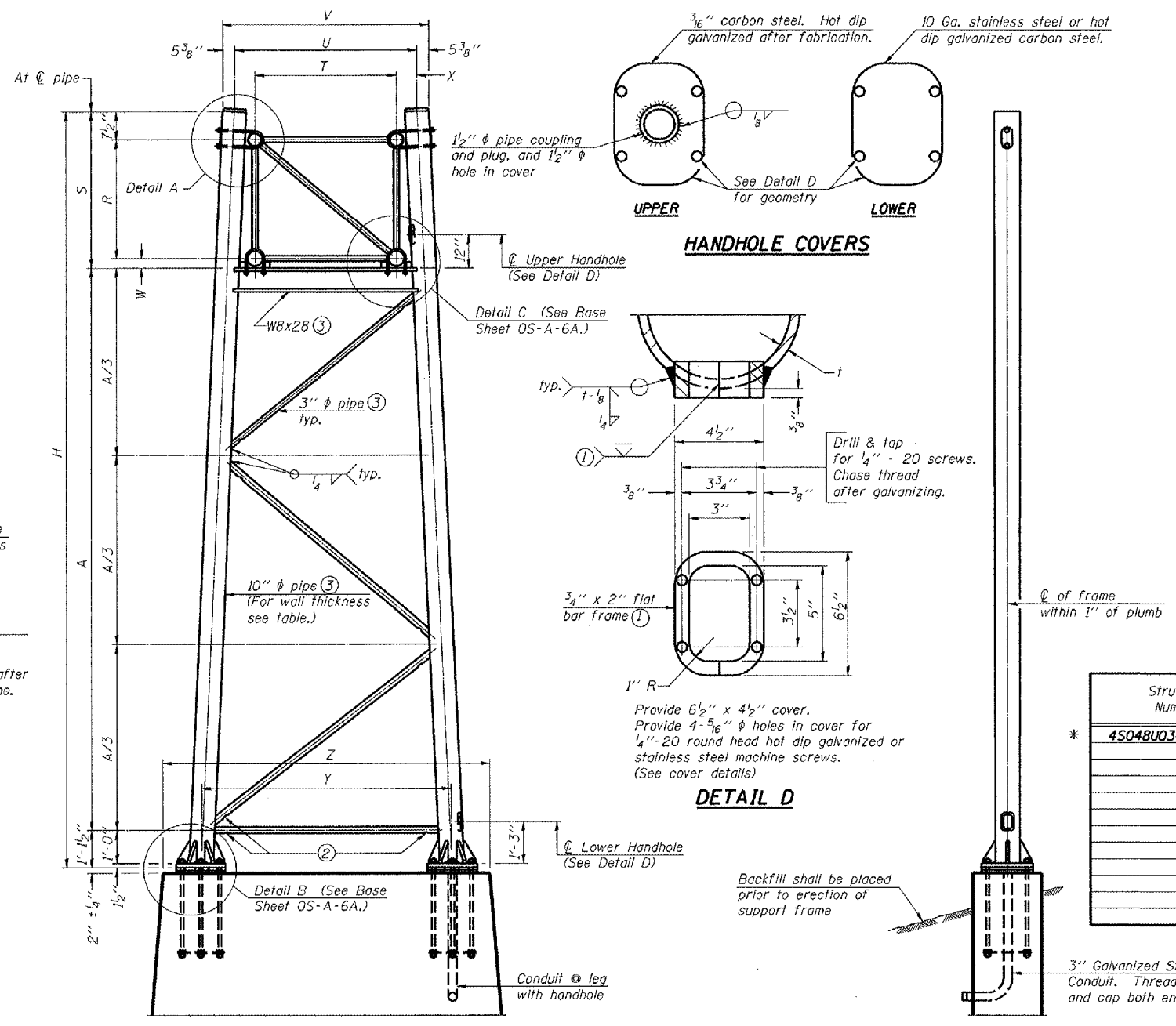


SECTION A-A

As an alternate to bolts, may use galvanized drive-fit caps installed after galvanizing frame.



SECTION B-B



For Foundation Details, see base sheet OS-F3 (Spread Footing) or OS4-F3 (Drilled Shaft).

SIDE ELEVATION

END ELEVATION

Support Design Loads: See Base Sheet OS-A-1 for design and loading criteria.
 Load combinations checked include deadload plus:
 a) 100% wind normal to sign, 20% parallel to sign
 b) 60% wind normal to sign, 30% parallel to sign

- In lieu of fabricated handhole frame as shown, may cut from 2" plate (rolling direction vertical). All cut faces to be ground to ANSI Roughness of 500 min or less.
- Galvanizing vent holes of adequate size shall be provided on underside at each end of bracing pipes. Alternately, holes may be provided in wall of pipe column. All vent holes shall be drilled and de-burred, typ.
- Steel pipe, plate, carbon steel handhole covers and rolled sections shall be hot dip galvanized after fabrication. Painting is not permitted. See Base Sheet OS-A-1.
- See General Notes for fasteners.
- Dimensions shown are based on selection criteria in the Sign Structures Manual. Nonstandard applications must have dimensions verified or amended as appropriate.

* New end support to be installed on existing foundation with existing anchor bolts. Provide new anchor bolt nuts and washers as necessary. The contractor and the engineer shall field verify the existing end support dimensions prior and the existing anchor bolts dimensions prior to fabrication of the end support.

Structure Number	Station	Support		Truss Type	Pipe Wall Thickness	H	A
		Left	Right				
* 4S048U034R007.5	615+00	X	X	II-A	.365	29'-0"	21'-7 1/4"
				II-A	.365	30'-11 3/8"	23'-6 3/8"

10" ϕ PIPE TRUSS SUPPORT FRAME

NUMBER	REVISION	DATE

Truss Type	Dimensions									
	R	S	T	U	V	W	X	Y	Z	
I-A	4'-6"	5'-5 1/2"	4'-0"	5'-6"	6'-4 3/4"	4"	9"	8'-3"	10'-9"	
II-A (5)	5'-3"	6'-3 1/4"	4'-6"	6'-1"	6'-11 3/4"	4 3/4"	9 1/2"	8'-3"	10'-9"	

OVERHEAD SIGN STRUCTURES
SUPPORT FRAME for ALUMINUM TRUSS

STRUCTURE # 4S048U034R007.5

D4 SIGN TRUSS REPAIR 2006

PLOT DATE = 2/17/2006
 PLOT SCALE = 1/8" = 1'-0"
 USER NAME = keelam