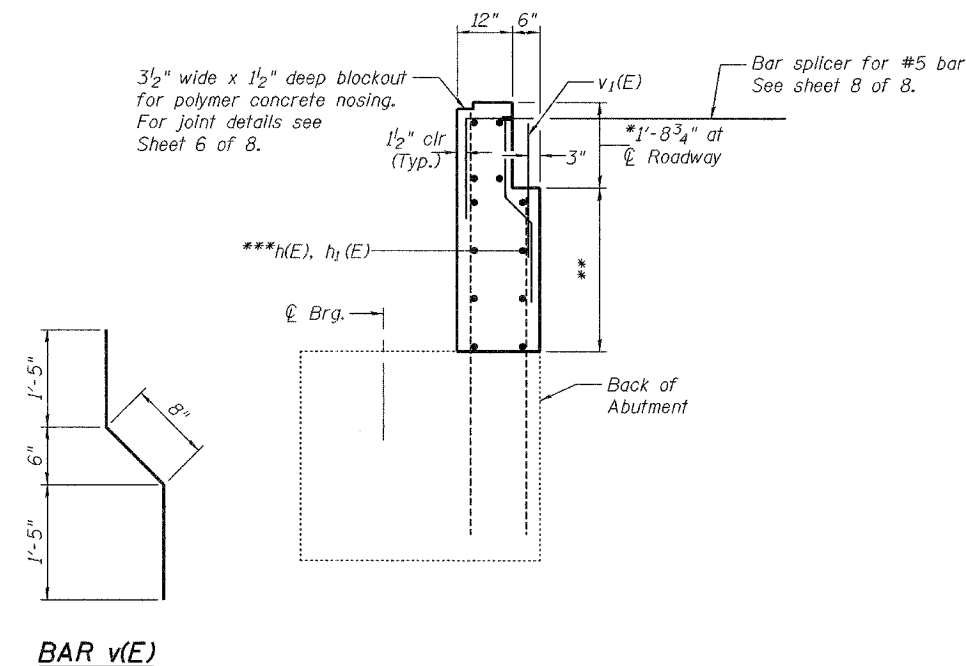
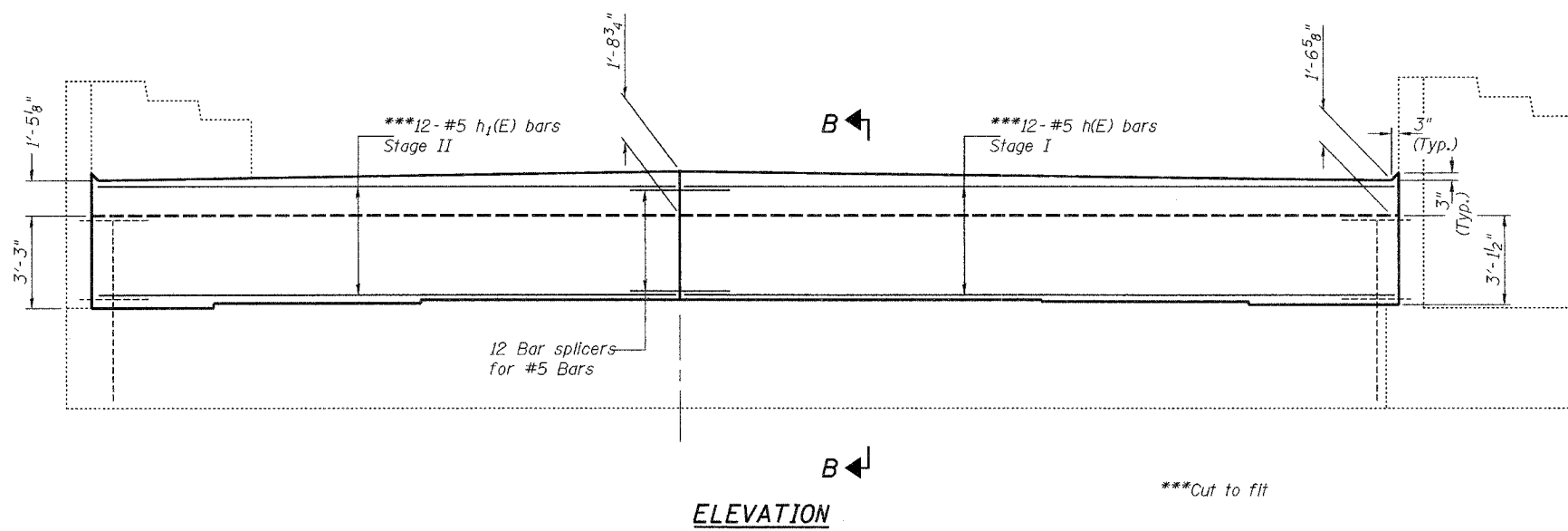


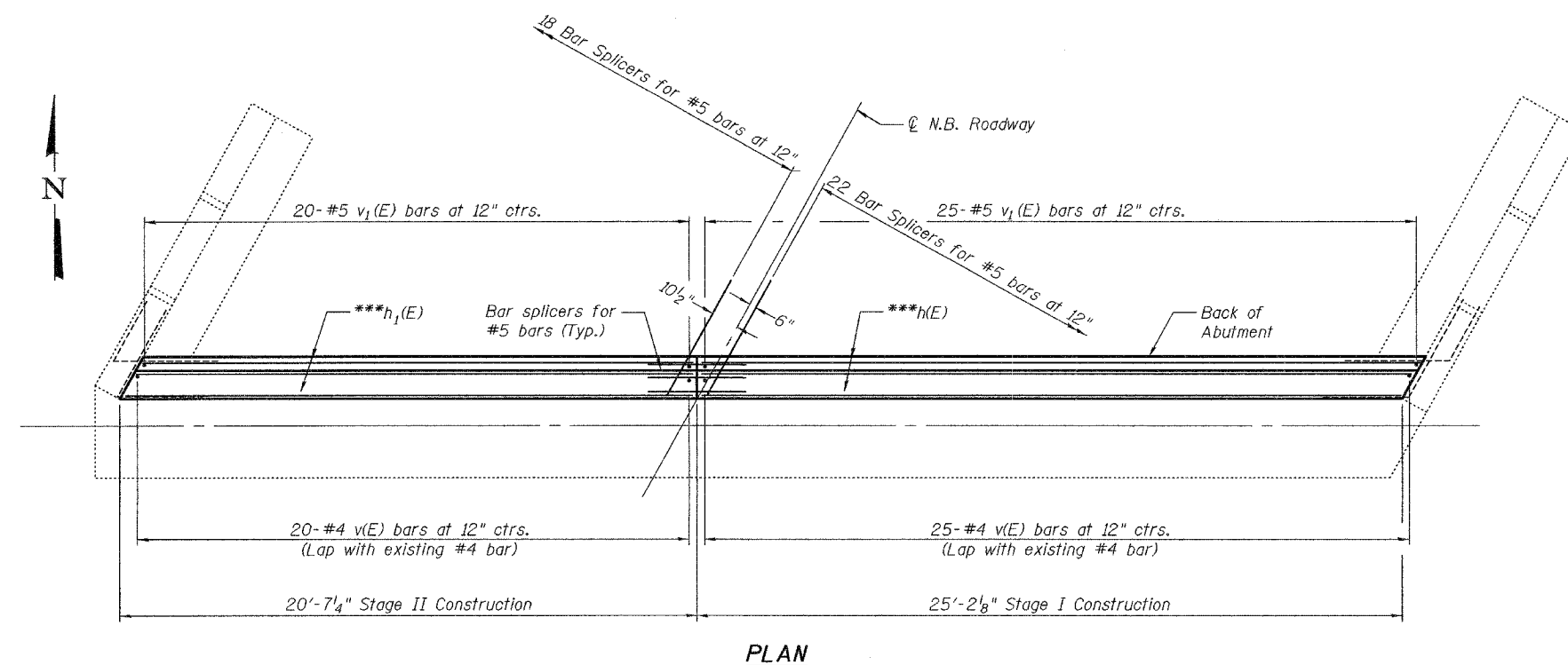
STATE OF ILLINOIS  
DEPARTMENT OF TRANSPORTATION

ROUTE NO.	SECTION	COUNTY	TOTAL SHEETS	SHEET NO.
I-57		Marion	13	10
FED. ROAD DIST. NO. 7	ILLINOIS	FED. AID PROJECT-		

SHEET NO. 5  
8 SHEETS  
Contract Number: 74097



**SECTION B-B**  
\*Match existing deck elevation  
\*\*Varies from 2'-11 1/2" to 3'-3" for the North Abutment  
2'-9 7/8" to 3'-2 5/8" for the South Abutment



**BILL OF MATERIAL**

Bar	No.	Size	Length	Shape
h(E)	24	#5	25'-9"	—
h1(E)	24	#5	20'-4"	—
v(E)	90	#4	3'-6"	—
v1(E)	90	#5	3'-0"	—
Concrete Removal			Cu. Yd.	22.2
Concrete Superstructure			Cu. Yd.	22.2
Reinforcement Bars, Epoxy Coated			Lbs.	1,640

Reinforcement bars designated (E) shall be epoxy coated.

DESIGNED	A.T.H.
CHECKED	S.J.B.
DRAWN	Drew Christopher
CHECKED	A.T.H. S.J.B.

February 28, 2006

EXAMINED *John A. Morris*  
ENGINEER OF STRUCTURAL SERVICES

PASSED *Ralph E. Anderson*  
ENGINEER OF BRIDGES AND STRUCTURES

**NORTH ABUTMENT DETAILS**  
**I-57 OVER MISSOURI &**  
**ILLINOIS RAILROAD**  
**MARION COUNTY**  
**SN 061-0049**