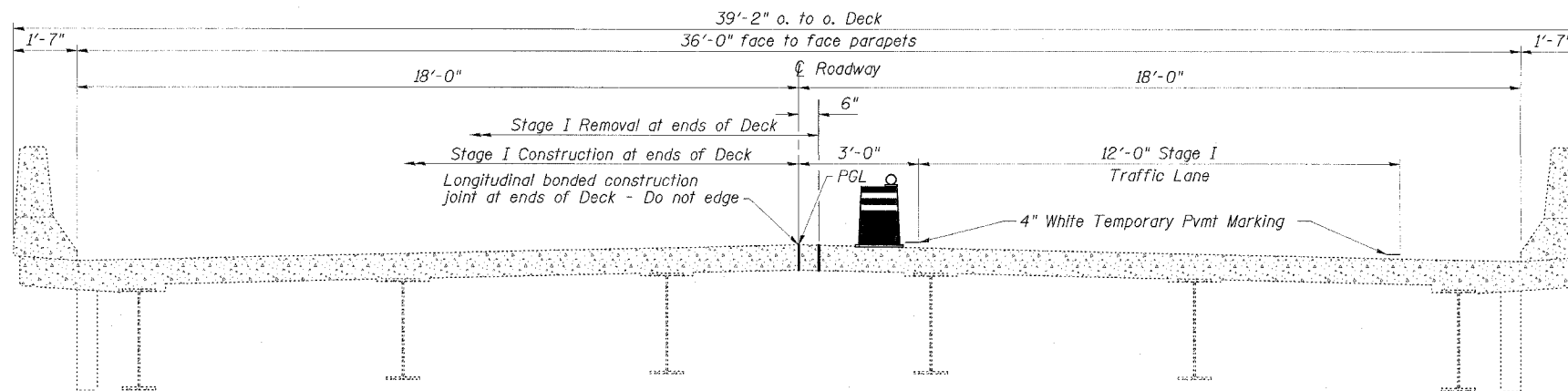


STATE OF ILLINOIS
DEPARTMENT OF TRANSPORTATION

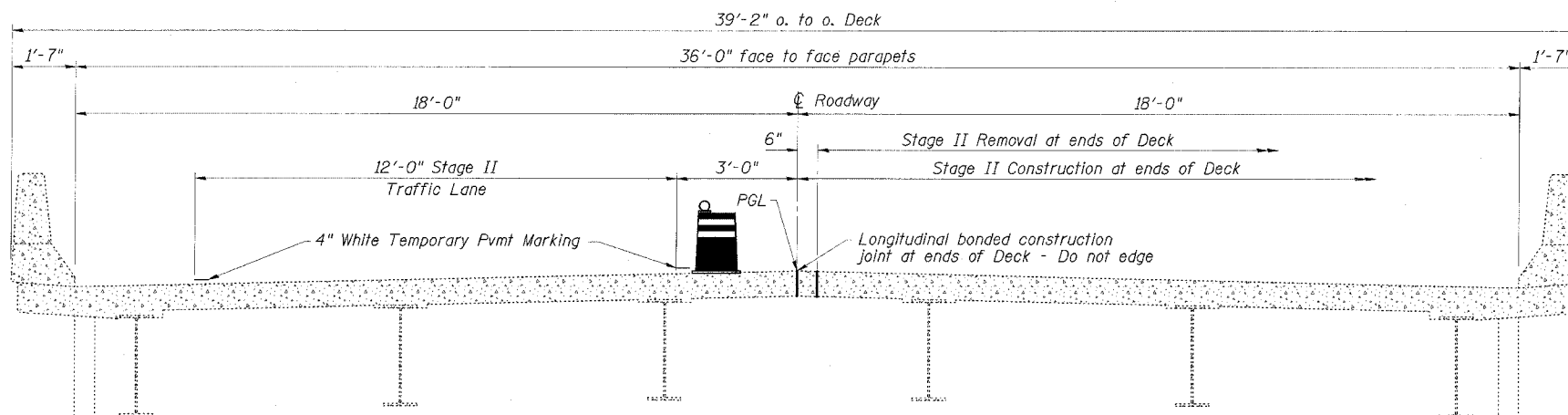
* D-7 JOINT REPAIRS 2006-3

ROUTE NO.	SECTION	COUNTY	TOTAL SHEETS	SHEET NO.
FAP 116	*	RICHLAND	31	7
STA.	TO STA.			
FED. ROAD DIST. NO.	ILLINOIS	FED. AID PROJECT		
DWG. NO. 2 OF 6				

CONTRACT NO. 74120



STAGE I CROSS SECTION
LOOKING SOUTH



STAGE II CROSS SECTION
LOOKING SOUTH

ESCA
CONSULTANTS, INC.

DESIGNED BY:	MTD	11/05
DRAWN BY:	HAG	11/05
CHECKED BY:	MTD	11/05
APPROVED BY:	RDP	1/06

STAGE CONSTRUCTION
IL 130 OVER EAST FORK CREEK
FAP 116 (IL 130)
D-7 JOINT REPAIRS 2006-3
RICHLAND COUNTY
STRUCTURE NO. 080-0009