

ROUTE NO.	SECTION	COUNTY	TOTAL SHEETS	SHEET NO.
FAP 116	*	RICHLAND	31	23
STA.	TO STA.			
FED. ROAD DIST. NO.	ILLINOIS	FED. AID PROJECT-		
DWG. NO. 5 OF 6				

CONTRACT NO. 74120

Joint Size	"C" at 50°F	"D" at 50°F
2"	2"	1 1/2" Min.
2 1/2"	2 1/2"	1 3/4" Min.
4"	3"	2 1/2" Min.

STATE OF ILLINOIS  
DEPARTMENT OF TRANSPORTATION

GENERAL NOTES

Continuous Seal Neoprene Expansion Joint shall consist of molded anchor blocks of elastomer and steel, field assembled over continuous lengths of elastomeric membrane.  
The elastomeric membrane shall be premolded with a single or a double upward convolution that will have a "memory" to return to its molded position upon joint closure.  
The convolution length shall be such that the extended length will not be greater than the manufactured length when the joint is fully expanded in its design range and will not protrude above the anchor blocks when the joint is fully compressed.  
Joint openings shall be adjusted according to Article 503.10(c) of the Standard Specifications when the deck is poured at an ambient temperature other than 50° F.  
The parapet and roadway membrane shall be made continuous by an approved vulcanizing process. Lapping will not be permitted.

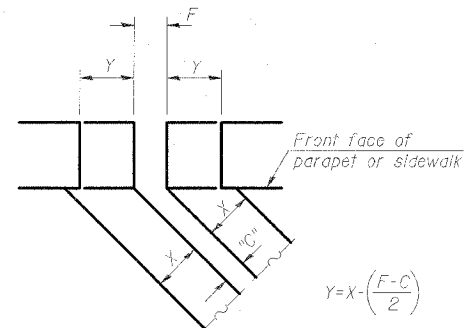
INSTALLATION NOTES

- Install continuous seal in roadway, parapet, curb, and sidewalk.
- Install anchor blocks as indicated.

Note A:  
Maximum spacing of anchor bolts shall be 12" centers.

SKEW LIMITATIONS

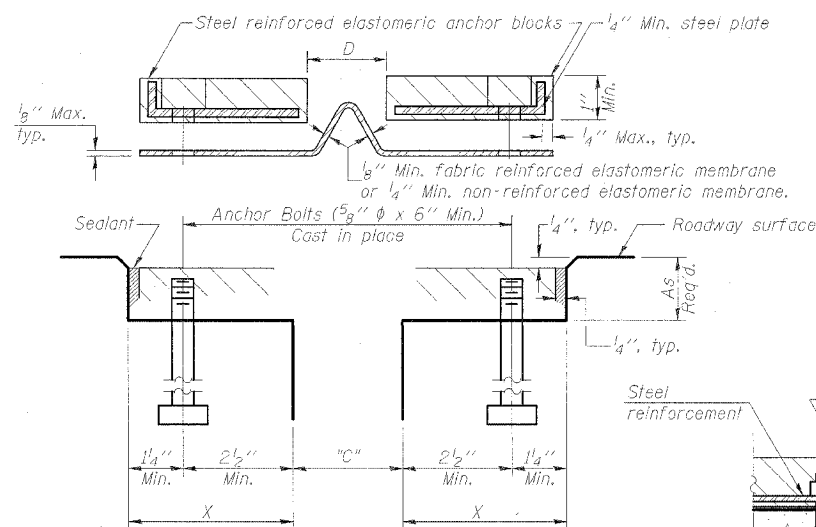
The details of the anchor blocks and the elastomeric membrane in the parapet, as shown, are for up to 50° skews. For skews greater than 50°, the anchor blocks and the elastomeric membrane, installed according to dimension "D", might require modifications to insure a minimum clearance of 1/2" from centerline of anchor studs to edge of parapet opening. The anchor blocks and the elastomeric membrane shall also be installed to the top of the parapet with the anchor studs spaced at ±12" cts.



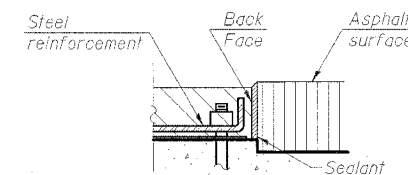
FORMING BLOCKOUT SKETCH

$$Y = X - \left( \frac{F - C}{2} \right)$$

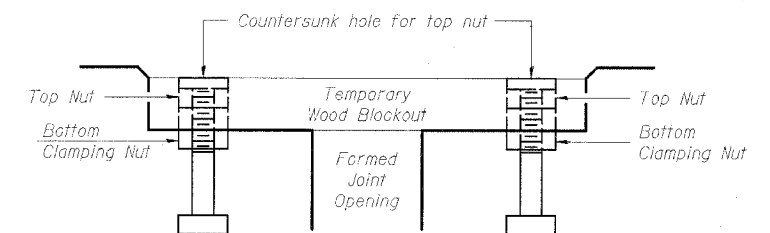
For dimension "F" see drawing #3



CROSS SECTION



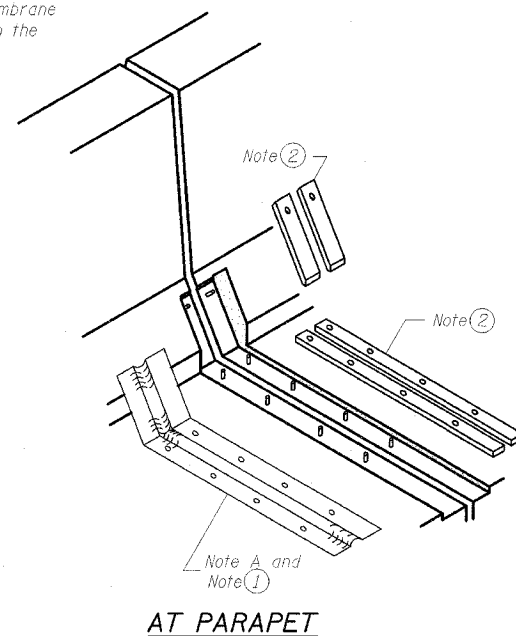
ANCHOR BLOCK WITH ASPHALT SURFACE



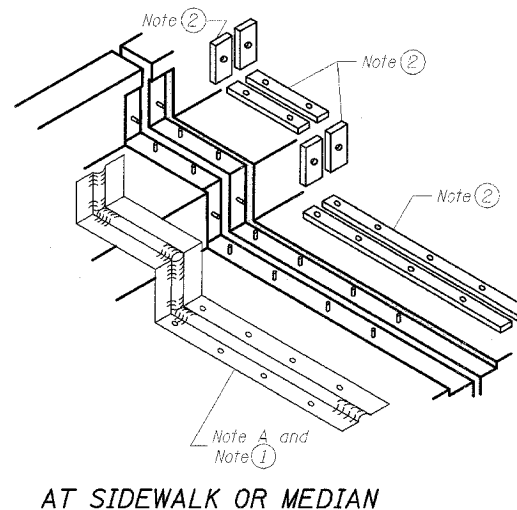
RECOMMENDED BLOCKOUT DETAIL

Note:  
Stud needs to be threaded lower to allow for use of clamping nut.

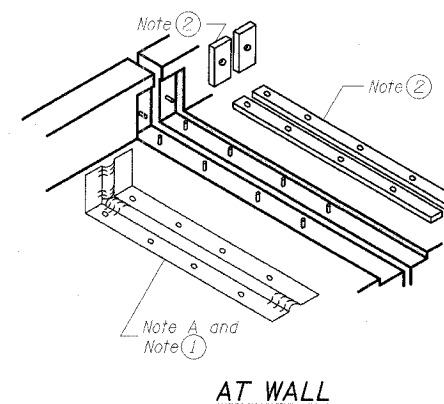
Anchor studs should be stainless



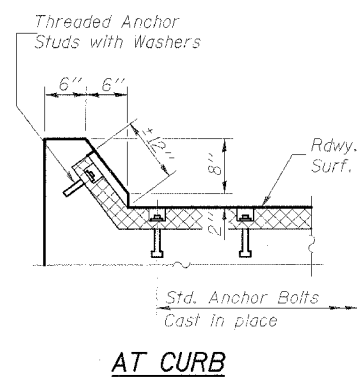
AT PARAPET



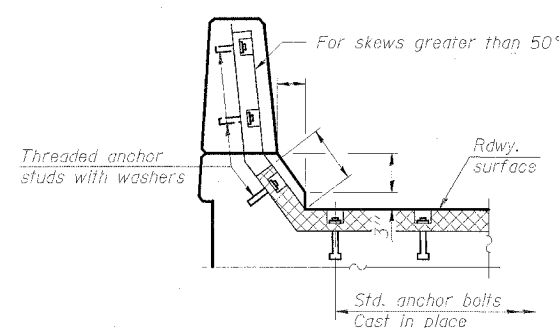
AT SIDEWALK OR MEDIAN



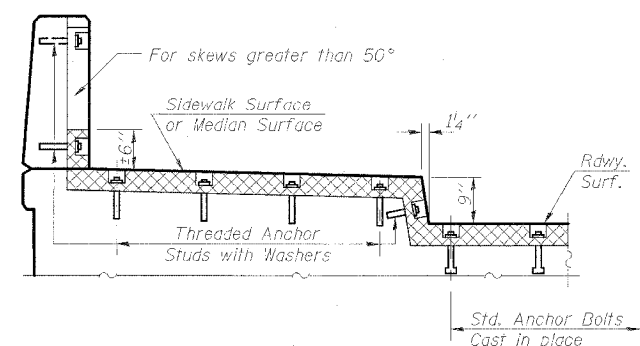
AT WALL



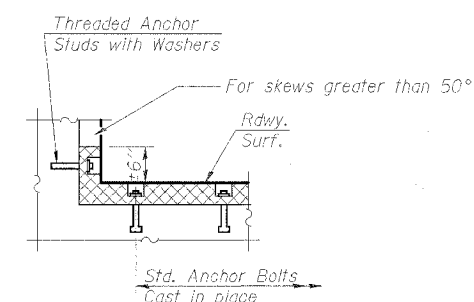
AT CURB



AT PARAPET



AT SIDEWALK OR MEDIAN  
TYPICAL END TREATMENTS



AT WALL

**ESCA**  
CONSULTANTS, INC.

DESIGNED BY:	MTD	11/05
DRAWN BY:	HAG	11/05
CHECKED BY:	MTD	11/05
APPROVED BY:	RDP	1/06

CONTINUOUS SEAL TYPE  
NEOPRENE EXPANSION JOINTS  
IL 130 OVER LONG BRANCH CREEK  
FAP RTE 116 (IL 130)  
D-7 JOINT REPAIRS 2006-3  
RICHLAND COUNTY  
STATION 745+75.00  
STRUCTURE NO. 080-0021