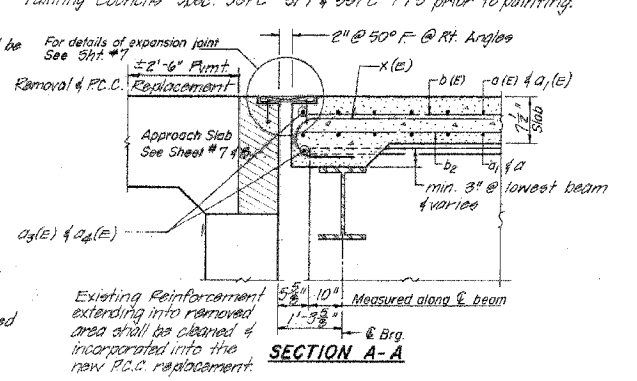
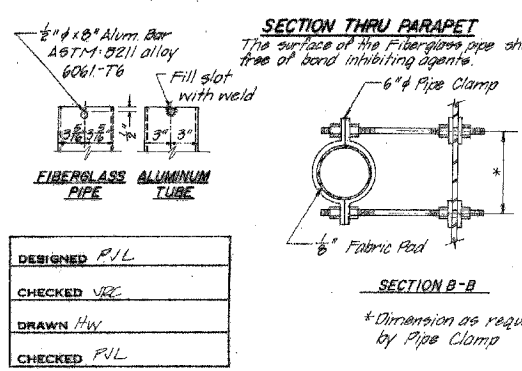
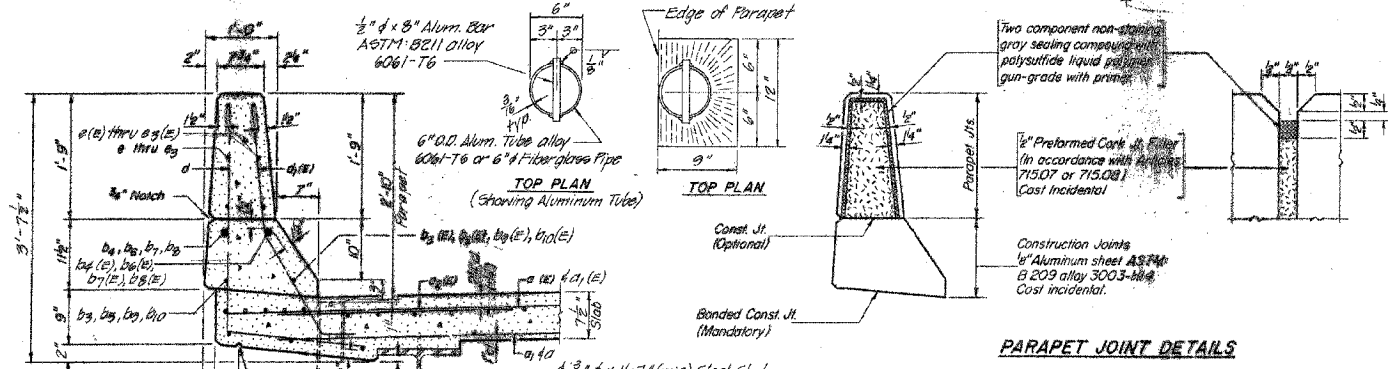
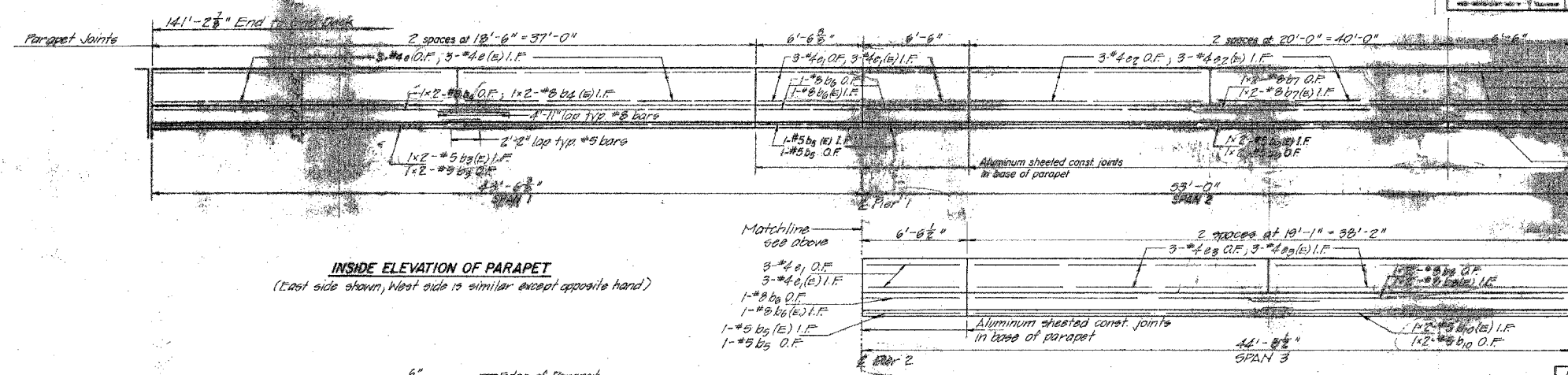


* D-7 Joint Repairs 2006-3

STATE OF ILLINOIS
DEPARTMENT OF TRANSPORTATION

ROUTE NO.	SECTION	COUNTY	TOTAL SHEETS	SHEET NO.
FAP 116	*	RICHLAND	31	27



SUPERSTRUCTURE BILL OF MATERIAL

Bar No	Size	Length	Shape
a(e)	240	*5	19'-6"
a	197	*5	19'-6"
d, (E)	237	*5	19'-10"
d1	164	*5	19'-10"
d2	228	*5	19'-10"
d3	2	*5	20'-0"
d4	4	*5	20'-6"
b1(e)	210	*5	20'-11"
b1	79	*5	20'-6"
b2	180	*5	20'-11"
b3	4	*5	19'-5"
b4	4	*5	19'-5"
b4(E)	4	*5	20'-0"
b4	4	*5	20'-0"
b5	8	*5	20'-0"
b5(E)	8	*5	20'-0"
b6	8	*5	20'-0"
b6(E)	8	*5	20'-0"
b7	4	*5	20'-0"
b7(E)	4	*5	20'-0"
b8	4	*5	20'-0"
b9	4	*5	20'-0"
b9(E)	4	*5	20'-0"
b10	4	*5	20'-0"
d	230	*5	19'-10"
d1(e)	208	*5	19'-10"
d1	18	*5	19'-10"
d	18	*5	19'-10"
d1(e)	22	*5	19'-10"
d1	22	*5	19'-10"
b1	26	*5	20'-0"
b2	12	*5	20'-0"
b3	12	*5	19'-9"
b4	12	*5	19'-9"
b5	12	*5	19'-9"
b6	12	*5	19'-9"
b7	12	*5	19'-9"
b8	12	*5	19'-9"
b9	12	*5	19'-9"
b10	12	*5	19'-9"
b11	12	*5	19'-9"
b12	12	*5	19'-9"
b13	12	*5	19'-9"
b14	12	*5	19'-9"
b15	12	*5	19'-9"
b16	12	*5	19'-9"
b17	12	*5	19'-9"
b18	12	*5	19'-9"
b19	12	*5	19'-9"
b20	12	*5	19'-9"
b21	12	*5	19'-9"
b22	12	*5	19'-9"
b23	12	*5	19'-9"
b24	12	*5	19'-9"
b25	12	*5	19'-9"
b26	12	*5	19'-9"
b27	12	*5	19'-9"
b28	12	*5	19'-9"
b29	12	*5	19'-9"
b30	12	*5	19'-9"
b31	12	*5	19'-9"
b32	12	*5	19'-9"
b33	12	*5	19'-9"
b34	12	*5	19'-9"
b35	12	*5	19'-9"
b36	12	*5	19'-9"
b37	12	*5	19'-9"
b38	12	*5	19'-9"
b39	12	*5	19'-9"
b40	12	*5	19'-9"
b41	12	*5	19'-9"
b42	12	*5	19'-9"
b43	12	*5	19'-9"
b44	12	*5	19'-9"
b45	12	*5	19'-9"
b46	12	*5	19'-9"
b47	12	*5	19'-9"
b48	12	*5	19'-9"
b49	12	*5	19'-9"
b50	12	*5	19'-9"
b51	12	*5	19'-9"
b52	12	*5	19'-9"
b53	12	*5	19'-9"
b54	12	*5	19'-9"
b55	12	*5	19'-9"
b56	12	*5	19'-9"
b57	12	*5	19'-9"
b58	12	*5	19'-9"
b59	12	*5	19'-9"
b60	12	*5	19'-9"
b61	12	*5	19'-9"
b62	12	*5	19'-9"
b63	12	*5	19'-9"
b64	12	*5	19'-9"
b65	12	*5	19'-9"
b66	12	*5	19'-9"
b67	12	*5	19'-9"
b68	12	*5	19'-9"
b69	12	*5	19'-9"
b70	12	*5	19'-9"
b71	12	*5	19'-9"
b72	12	*5	19'-9"
b73	12	*5	19'-9"
b74	12	*5	19'-9"
b75	12	*5	19'-9"
b76	12	*5	19'-9"
b77	12	*5	19'-9"
b78	12	*5	19'-9"
b79	12	*5	19'-9"
b80	12	*5	19'-9"
b81	12	*5	19'-9"
b82	12	*5	19'-9"
b83	12	*5	19'-9"
b84	12	*5	19'-9"
b85	12	*5	19'-9"
b86	12	*5	19'-9"
b87	12	*5	19'-9"
b88	12	*5	19'-9"
b89	12	*5	19'-9"
b90	12	*5	19'-9"
b91	12	*5	19'-9"
b92	12	*5	19'-9"
b93	12	*5	19'-9"
b94	12	*5	19'-9"
b95	12	*5	19'-9"
b96	12	*5	19'-9"
b97	12	*5	19'-9"
b98	12	*5	19'-9"
b99	12	*5	19'-9"
b100	12	*5	19'-9"

Reinforcement bars designated (E) shall be epoxy coated. See special provisions.

Bars indicated thus, 20x3-#5 etc., indicates 20 lines of bars with 3 lengths per line.

SUPERSTRUCTURE DETAILS

ILLINOIS ROUTE 130 OVER
LONG BRANCH CREEK
STATION 745+73
F.A. ROUTE 116 SECTION 123 BR 2
RICHLAND COUNTY