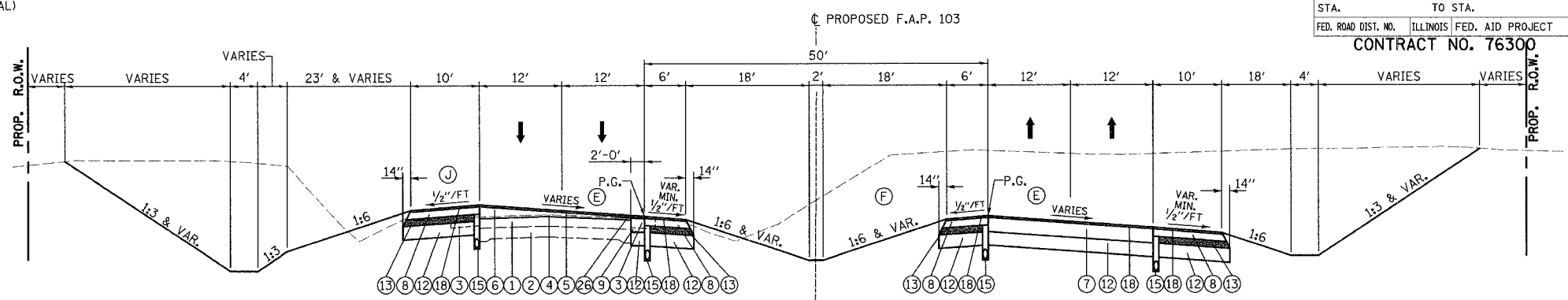


F.A. RTE.	SECTION	COUNTY	TOTAL SHEETS	SHEET NO.
103	27-1R	ST. CLAIR	382	8
STA.		TO STA.		
FED. ROAD DIST. NO.		ILLINOIS FED. AID PROJECT		

CONTRACT NO. 76300

LEGEND

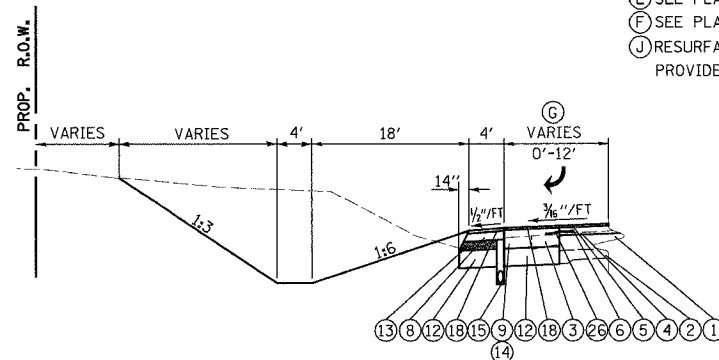
- ① EXISTING RESURFACING - 7" AND VARIES (SEE STAGING PLAN FOR LOCATIONS OF PAVEMENT REMOVAL)
- ② EXISTING PCC PAVEMENT 9-7-9 (SEE STAGING PLAN FOR LOCATIONS OF PAVEMENT REMOVAL)
- ③ EXISTING BITUMINOUS SHOULDER (TO BE REMOVED)
- ④ PROPOSED BITUMINOUS SURFACE REMOVAL - 1-1/2"
- *⑤ PROPOSED BITUMINOUS CONCRETE SURFACE COURSE, SUPERPAVE, MIX "D", N90 - 1-1/2"
- ⑥ PROPOSED BITUMINOUS CONCRETE BINDER COURSE, SUPERPAVE, IL - 19.0, N90 - 2-1/4" MINIMUM
- **⑦ PROPOSED BITUMINOUS CONCRETE PAVEMENT (FULL-DEPTH) SUPERPAVE, 14"
- ***⑧ PROPOSED BITUMINOUS SHOULDERS SUPERPAVE 8"
- ⑨ PROPOSED BITUMINOUS CONCRETE BASE COURSE WIDENING, SUPERPAVE 12- 1/2 "
- ⑩ PROPOSED CCC&G TY.B6.24
- ⑪ PROPOSED CONCRETE MEDIAN SURFACE, 4 INCH
- ⑫ PROPOSED LIME MODIFICATION -12"
- ⑬ PROPOSED SUBBASE GRANULAR MATERIAL, TYPE C
- ⑭ PROPOSED BITUMINOUS CONCRETE BINDER COURSE, SUPERPAVE, IL - 19.0, N90 - 12- 1/2 "
- ⑮ PROPOSED PIPE UNDERDRAINS
- ⑯ PROPOSED INCIDENTAL BITUMINOUS SURFACING, N90 - 2" MINIMUM
- ⑰ PROPOSED SUBBASE GRANULAR MATERIAL, TYPE B - 12" MINIMUM
- ⑱ PROPOSED BITUMINOUS MATERIALS (PRIME COAT) WITH AGGREGATE (PRIME COAT)
- ⑲ PROPOSED AGGREGATE SURFACE COURSE, TYPE-A - 6"
- ⑳ PROPOSED PORTLAND CEMENT CONCRETE PAVEMENT 9" (JOINTED)
- ㉑ PROPOSED CONCRETE CURB, TYPE B (DOWELLED)
- ㉒ PROPOSED SAND FILL
- ㉓ PROPOSED BITUMINOUS CONCRETE BINDER COURSE, SUPERPAVE, IL - 19.0, N90 - 12"
- ㉔ PROPOSED CONCRETE MEDIAN, TYPE SB (MODIFIED)
- ****⑳ PROPOSED BITUMINOUS CONCRETE PAVEMENT (FULL-DEPTH) SUPERPAVE, 9"
- ㉖ PROPOSE STRIP REFLECTIVE CRACK CONTROL TREATMENT
 - * CONSTRUCT MINIMUM 2" SURFACE COURSE ON EXISTING SHOULDER
- ** PROPOSED BITUMINOUS CONCRETE PAVEMENT FULL DEPTH SUPERPAVE, 14" SHALL CONSIST OF BITUMINOUS CONCRETE SURFACE COURSE, SUPERPAVE, MIX "D", NO - 2" AND BITUMINOUS CONCRETE BINDER COURSE, SUPERPAVE, 19.0, N90 - 12".
- *** CONSTRUCT FINAL 2" LIFT AFTER PLACING SURFACE COURSE ON ADJACENT PAVEMENT.
- **** BITUMINOUS CONCRETE SURFACE COURSE, SUPERPAVE MIX "D", N90 - 2" AND BITUMINOUS CONCRETE BINDER COURSE, SUPERPAVE, 19.0, N90 - 7"



TYPICAL 4-LANE DIVIDED - OVERLAY - SUPER-ELEVATED

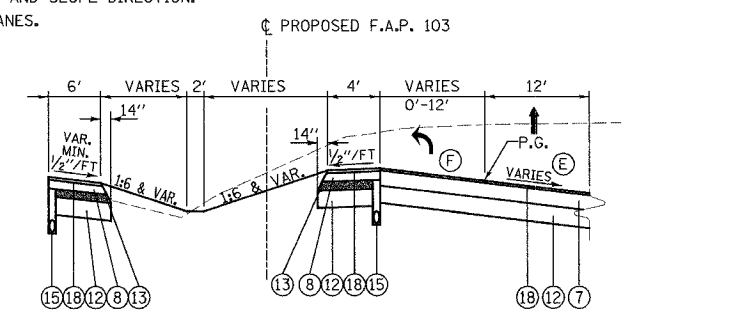
STATION 188+21.48 TO 190+50.00 STATION 259+96.89 TO 262+10.00
 STATION 201+50.00 TO 204+33.71 STATION 271+90.00 TO 274+67.66
 STATION 230+00.00 TO 231+34.27

- (E) SEE PLAN SHEETS 26, 27, 29, 31 AND 32 FOR SUPER-ELEVATION RATE AND SLOPE DIRECTION.
- (F) SEE PLAN SHEETS 28, 29, 31 AND 32 FOR LOCATION OF LEFT-TURN LANES.
- (J) RESURFACE EXISTING BITUMINOUS SHOULDER AND PAVEMENT TO PROVIDE 10' BITUMINOUS SHOULDER STATION 203+00.00 TO 204+33.71



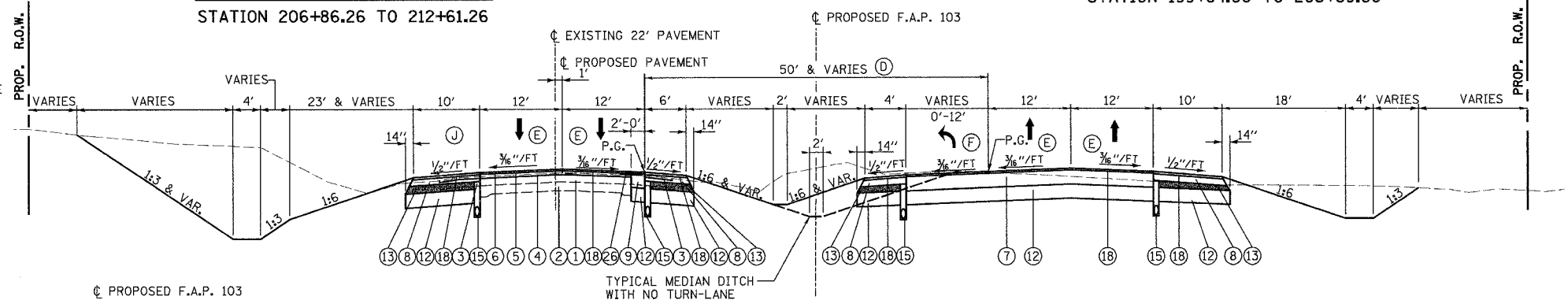
RIGHT-TURN LANE DETAIL

STATION 206+86.26 TO 212+61.26



LEFT-TURN LANE DETAIL

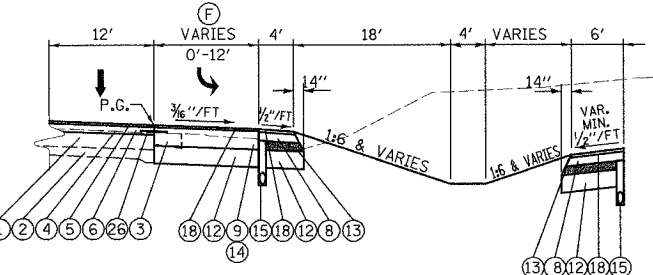
STATION 199+84.60 TO 205+89.60



TYPICAL 4-LANE DIVIDED HIGHWAY - OVERLAY

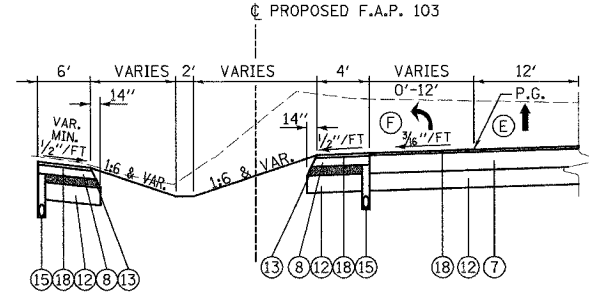
STATION 162+94.13 TO 188+21.48 STATION 231+34.27 TO 233+60.00
 STATION 204+33.71 TO 218+50.00 STATION 239+45.00 TO 259+96.89
 STATION 274+67.66 TO 285+25.00

- (E) RT. LANES SUPER-ELEVATED:
 STATION 161+83.66 TO 163+70.33
 STATION 166+32.12 TO 170+80.91
 STATION 280+52.59 TO 285+25.00
- (E) LT. LANES SUPER-ELEVATED:
 STATION 282+64.62 TO 285+25.00
- (E) INSIDE LANES SLOPE AWAY FROM MEDIAN:
 STATION 161+83.66 TO 163+33.66
- (J) RESURFACE EXISTING BITUMINOUS SHOULDER AND PAVEMENT TO PROVIDE 10' BITUMINOUS SHOULDER STATION 204+33.71 TO 206+00.00
- (D) MEDIAN WIDTH VARIES FROM 46' @ STATION 281+89.07 TO 36' @ STATION 285+25.00
- (F) SEE PLAN SHEETS 25, 26, 27, 28, 29, 31 AND 32 FOR LOCATION OF LEFT-TURN LANES.
- (G) SEE PLAN SHEET 29 FOR LOCATION OF RIGHT-TURN LANE.



LEFT-TURN LANE DETAIL

STATION 163+84.41 TO 168+94.41
 STATION 181+03.27 TO 186+58.27
 STATION 206+86.26 TO 212+61.26
 STATION 217+44.98 TO 222+99.98
 STATION 277+34.74 TO 282+89.47



LEFT-TURN LANE DETAIL

STATION 174+55.64 TO 180+10.64
 STATION 210+97.32 TO 216+52.32

REVISIONS	
NAME	DATE

ILLINOIS DEPARTMENT OF TRANSPORTATION
TYPICAL SECTIONS
 SHEET 2 OF 5 SHEETS
 F.A.P. 103 (IL. RTE. 13/15)
 SECTION 27-1R - ST. CLAIR CO.
 SCALE: NONE DRAWN BY: CRO
 DATE: February 11, 2005 CHECKED BY: RCY

J:\2002\020659\020659.dgn 2/9/2005 10:56:01 AM