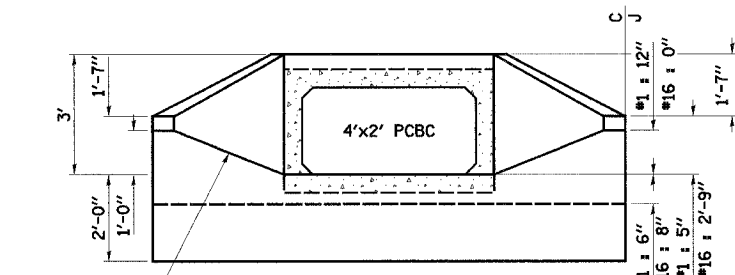
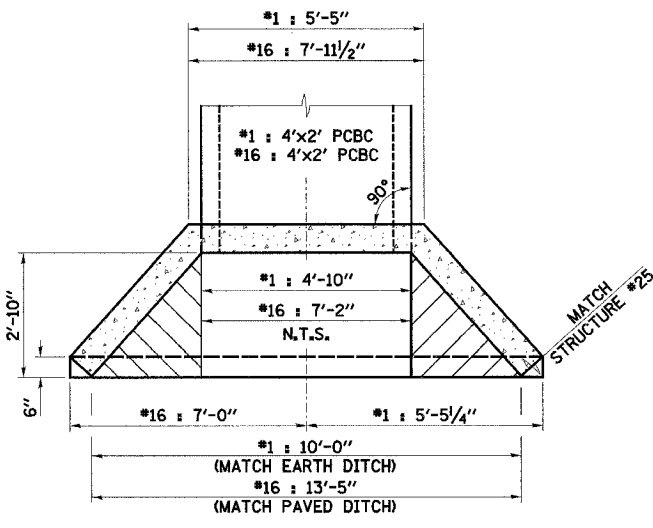
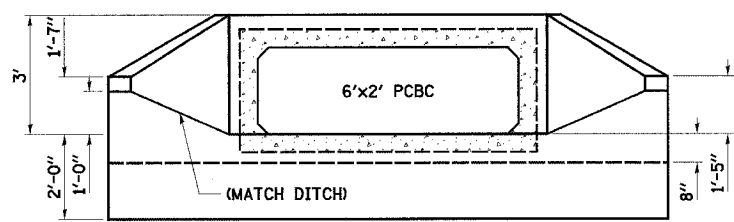
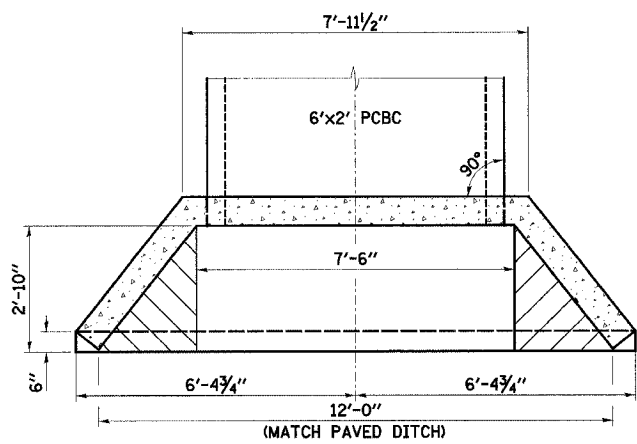


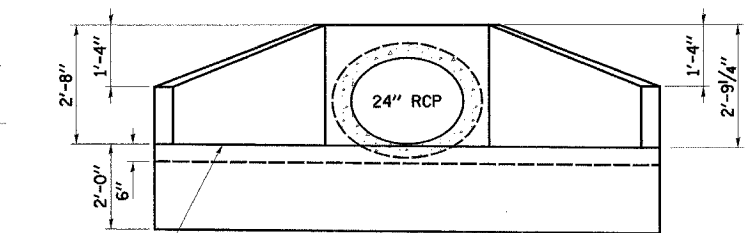
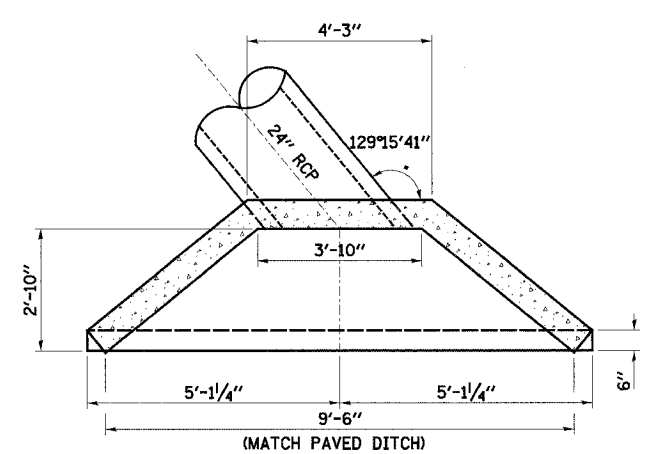
***STRUCTURE #25 DETAIL
CAST-IN-PLACE REINFORCED
CONCRETE END SECTION 30"**
SCALE: 1/2"=1'-0"



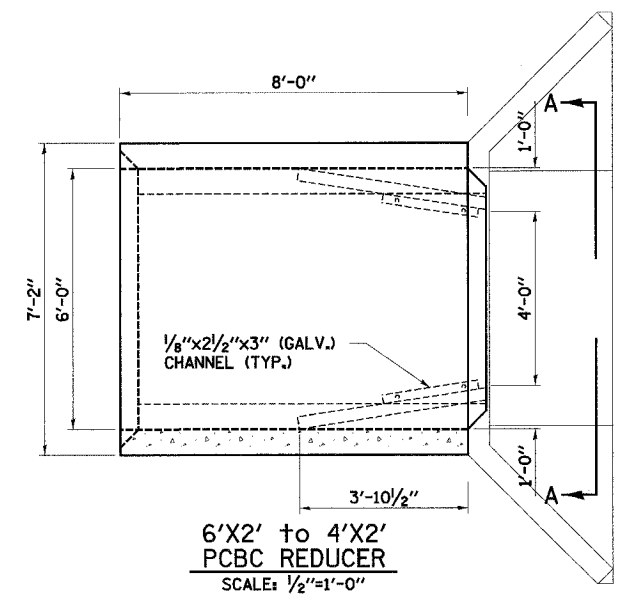
**STRUCTURES #1 & #16 DETAIL
BOX CULVERT END SECTIONS
NO. 9 & 11**
SCALE: 1/2"=1'-0"



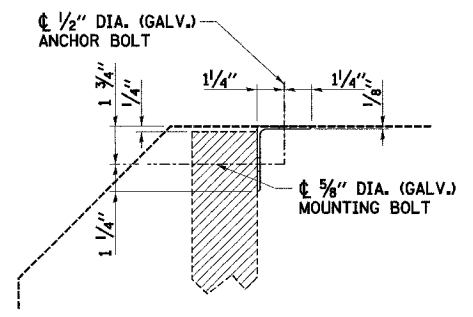
**STRUCTURE #10 DETAIL
BOX CULVERT END SECTION NO. 10**
SCALE: 1/2"=1'-0"



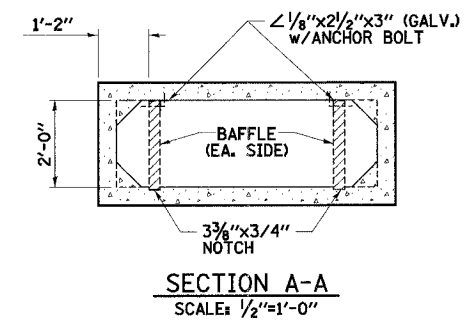
*** STRUCTURE #9 DETAIL
CAST-IN-PLACE REINFORCED
CONCRETE END SECTION 24"**
SCALE: 1/2"=1'-0"



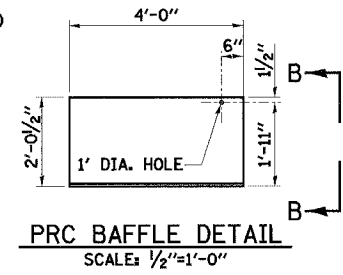
**6'X2' TO 4'X2'
PCBC REDUCER**
SCALE: 1/2"=1'-0"



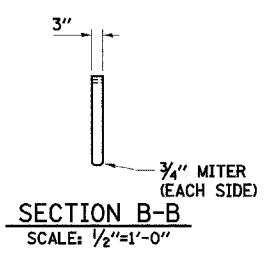
**1/8"X2 1/2"X3" (GALV.)
CHANNEL DETAIL**
SCALE: 3"=1'-0"



SECTION A-A
SCALE: 1/2"=1'-0"

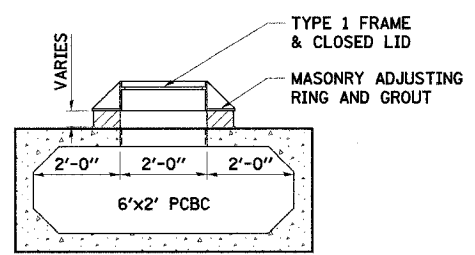


PRC BAFFLE DETAIL
SCALE: 1/2"=1'-0"



SECTION B-B
SCALE: 1/2"=1'-0"

****STRUCTURES #12, #13B & #15 DETAIL
6'X2' PCBC**
SCALE: 1/2"=1'-0"



NOTES:

- * CAST-IN-PLACE REINFORCED CONCRETE END SECTIONS SHALL BE CONSTRUCTED AS SHOWN TO PROVIDE OPENINGS TO ACCOMMODATE ELLIPTICAL EQUIVALENT AND MITERED CIRCULAR CONCRETE PIPES FOR STRUCTURES 9 AND 25. THE COST OF MODIFYING THESE STRUCTURES WILL NOT BE PAID FOR SEPARATELY BUT SHALL BE INCLUDED IN THE CONTRACT UNIT PRICE PER EACH END SECTION, SIZE AS SPECIFIED.
 - ** PROVIDE 2' DIAMETER HOLE IN TOP OF 6'X2' PCBC FOR STRUCTURES 12, 13B & 15. THESE STRUCTURES WILL NOT BE PAID FOR SEPARATELY BUT SHALL BE INCLUDED IN THE CONTRACT UNIT PRICE PER EACH FOR FRAMES AND LIDS, TYPE 1, CLOSED LID AS SHOWN ON THIS DETAIL.
- C/J DENOTES CONSTRUCTION JOINT
- FOR ADDITIONAL DETAIL REFER TO HIGHWAY STANDARDS: 542101 AND 542106

REVISIONS	
NAME	DATE

ILLINOIS DEPARTMENT OF TRANSPORTATION

STORM SEWER DETAILS

F.A.P. 103 (IL. RTE. 13/15)
SECTION 27-1R - ST. CLAIR CO.

SCALE: AS NOTED
DATE: February 11, 2005

DRAWN BY: BKA
CHECKED BY: RCY