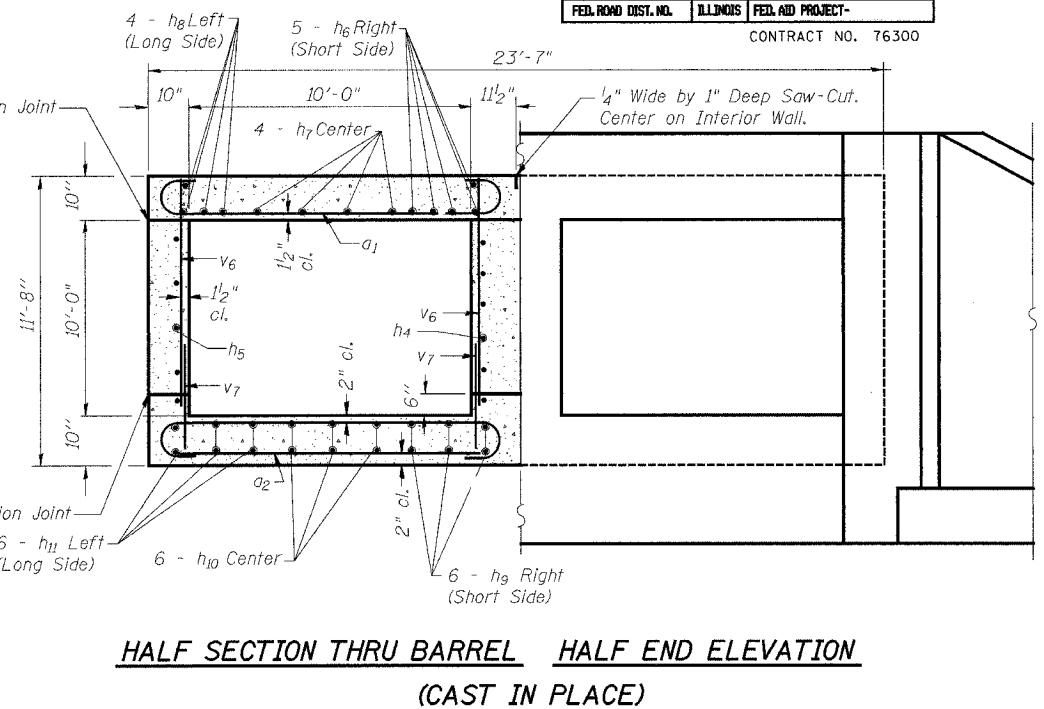
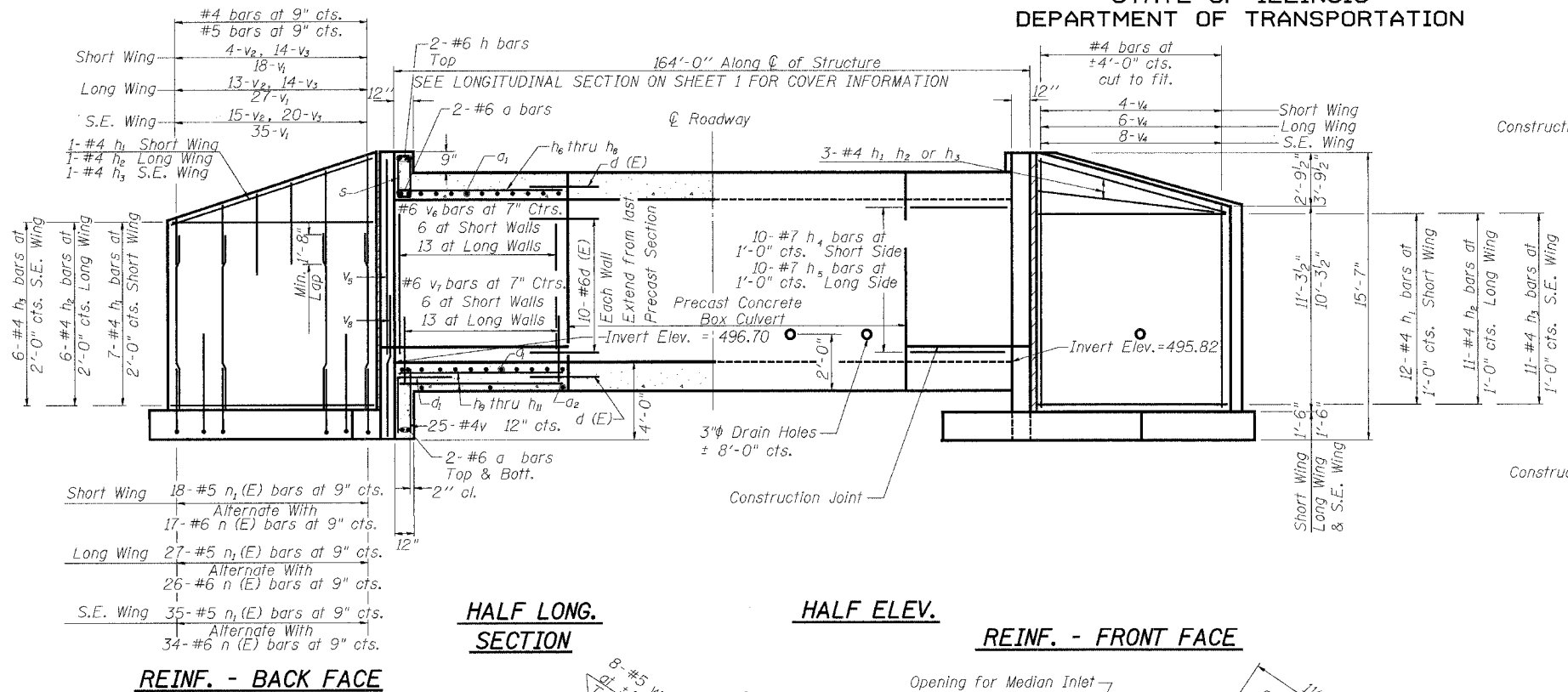


STATE OF ILLINOIS  
DEPARTMENT OF TRANSPORTATION

ROUTE NO.	SECTION	COUNTY	DATE	BY	SHEET NO. 2
F.A.P. 103	27-1R	ST. CLAIR	382	192	4 SHEETS
FED. ROAD DIST. NO.	ILLINOIS	FED. AID PROJECT-	CONTRACT NO. 76300		



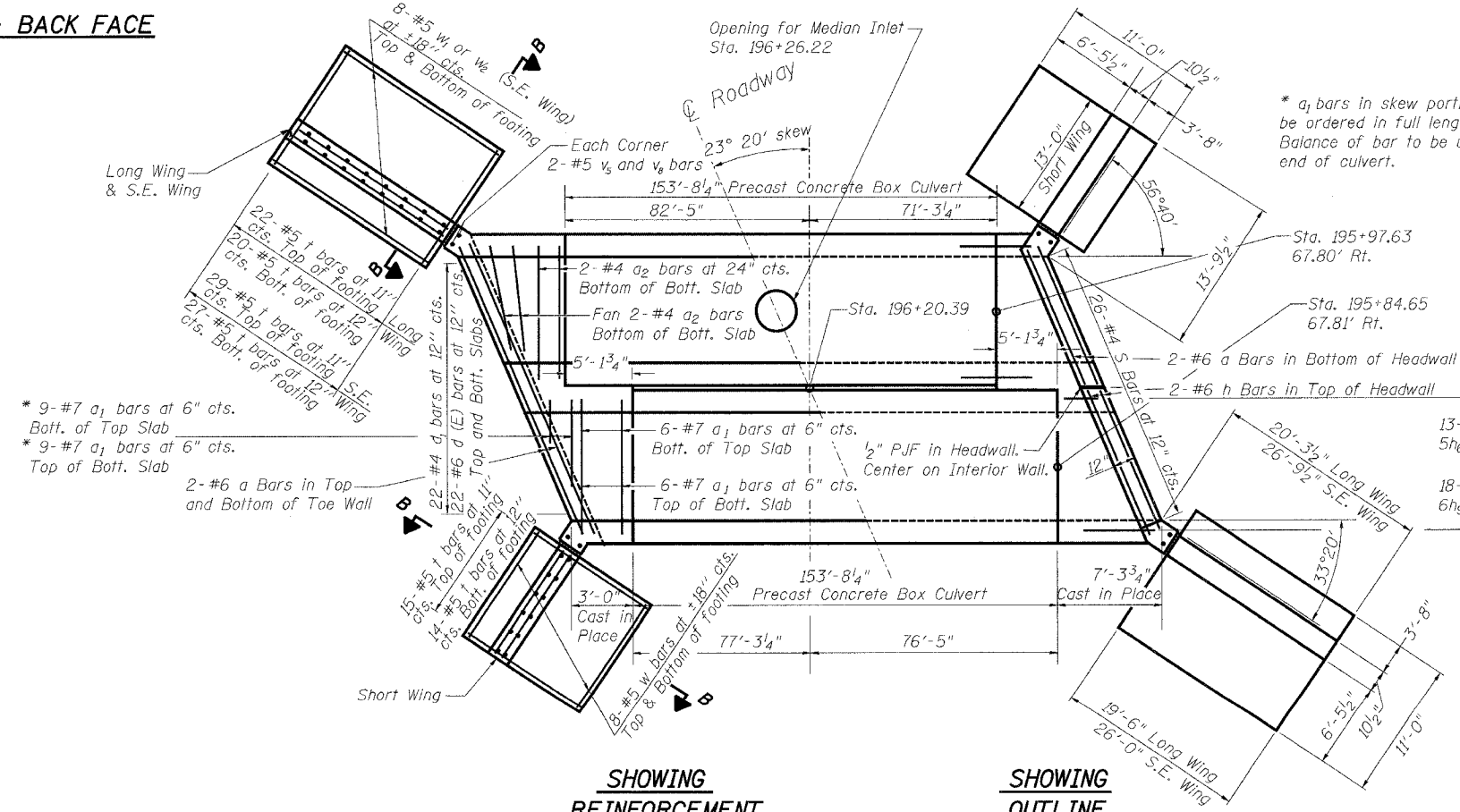
REIN. - BACK FACE

HALF LONG. SECTION

HALF ELEV.

REIN. - FRONT FACE

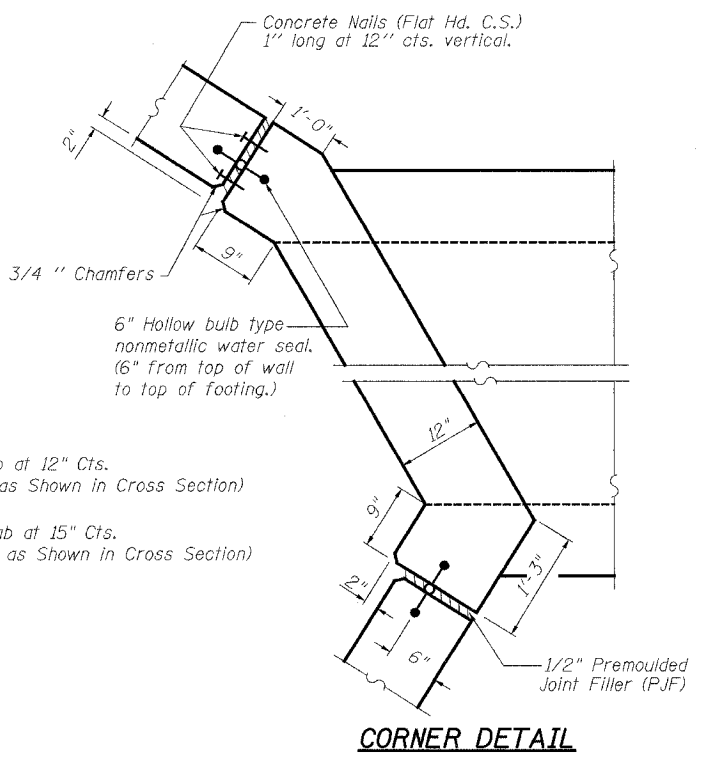
HALF SECTION THRU BARREL HALF END ELEVATION (CAST IN PLACE)



SHOWING REINFORCEMENT

SHOWING OUTLINE

PLAN



CORNER DETAIL

DESIGNED	KCM
CHECKED	TMM
DRAWN	JLM
CHECKED	TMM

**NOTES**  
Coordinate precast joint locations with staged construction requirements.  
Reinforcement bars designated (E) shall be epoxy coated.  
Exposed edges shall be beveled 3/4"

**DESIGN STRESSES**

$f_y = 60,000$  psi  
 $f'_c = 3,500$  psi - Cast In Place  
 $f'_c = 5,000$  psi - Precast  
Max. Applied Soil Pressure = 1800 psf

**LOADING HS 20-44**

**DOUBLE BOX CULVERT  
IL ROUTE 13/15  
OVER SUGAR CREEK  
F.A.P. ROUTE 103 SECTION 27-1R  
ST. CLAIR COUNTY  
STATION 196+20.39  
STRUCTURE NO. 082-2043**