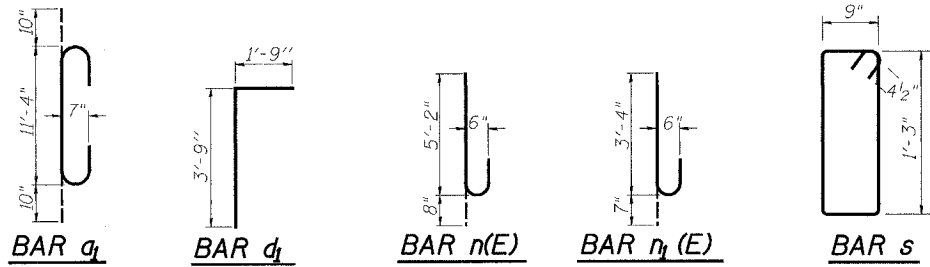
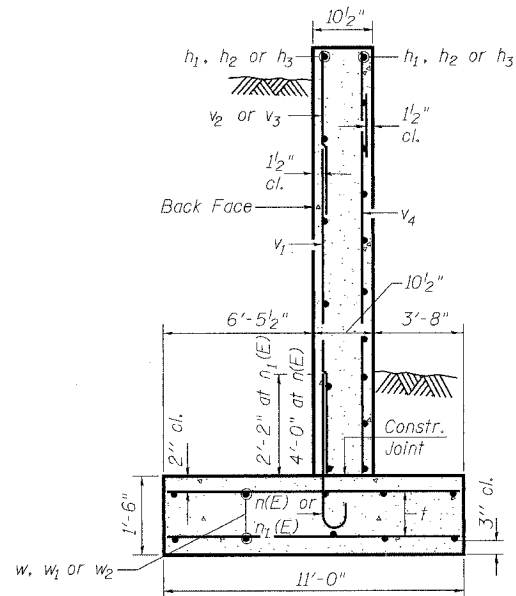


STATE OF ILLINOIS
DEPARTMENT OF TRANSPORTATION

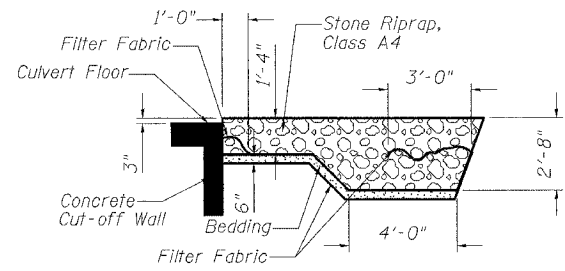
ROUTE NO.	SECTION	COUNTY	SHEET NO.	SHEET NO.
F.A.P. 103	27-1R	ST. CLAIR	382	193
FED. ROAD DIST. NO.	ILLINOIS	FED. AID PROJECT-		
CONTRACT NO. 76300				



BAR a BAR d₁ BAR n(E) BAR n₁(E) BAR s



SECTION B-B



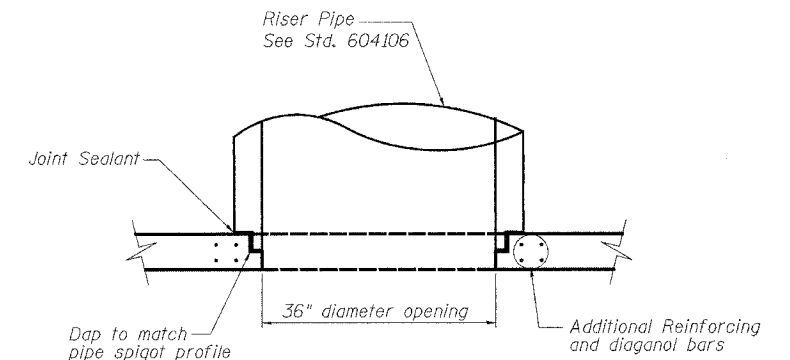
SECTION A-A
STONE RIPRAP ANCHOR DETAILS

BILL OF MATERIAL

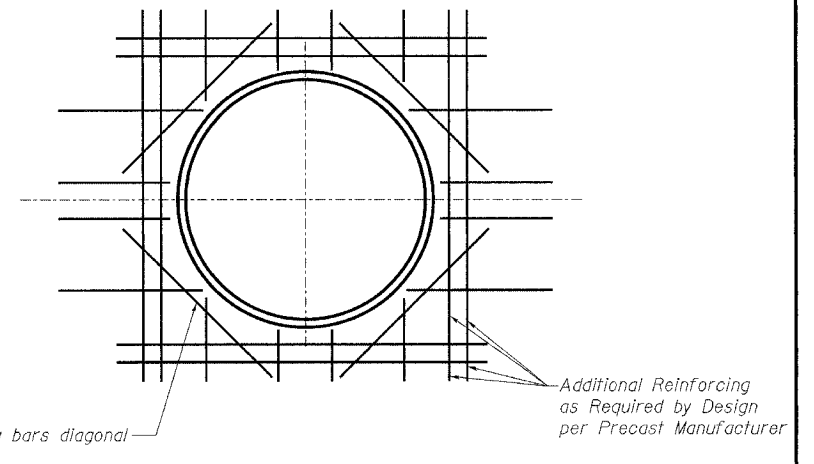
Bar	No.	Size	Length	Shape
a	12	#6	25'-4"	—
a ₁	84	#7	13'-0"	U
a ₂	16	#4	10'-3"	—
d (E)	168	#6	4'-0"	—
d ₁	44	#4	5'-6"	L
h	8	#6	12'-6"	—
h ₁	46	#4	12'-8"	—
h ₂	21	#4	19'-2"	—
h ₃	21	#4	25'-8"	—
h ₄	40	#7	2'-9"	—
h ₅	40	#7	7'-0"	—
h ₆	20	#6	2'-9"	—
h ₇	16	#6	4'-6"	—
h ₈	16	#6	6'-0"	—
h ₉	24	#5	2'-9"	—
h ₁₀	24	#5	4'-3"	—
h ₁₁	24	#5	6'-0"	—
n(E)	94	#6	5'-10"	U
n ₁ (E)	98	#5	3'-11"	U
s	52	#4	4'-9"	L
t	156	#5	10'-8"	—
v	50	#4	3'-8"	—
v ₁	98	#5	6'-0"	—
v ₂	36	#4	7'-6"	—
v ₃	62	#4	9'-6"	—
v ₄	22	#4	13'-10"	—
v ₅	8	#5	10'-9"	—
v ₆	76	#5	10'-0"	—
v ₇	76	#5	2'-3"	—
v ₈	8	#5	5'-6"	—
w	32	#5	12'-8"	—
w ₁	16	#5	19'-2"	—
w ₂	16	#5	25'-8"	—
* Cast in Place Concrete		Cu. Yd.	110.4	
* Reinforcement Bars, Epoxy Coated		Pound	2240	
* Reinforcement Bars		Pound	11,280	
Precast Concrete Box Culvert 10' x 10'		Foot	307.5	

* For information only. Cast in place concrete and reinforcing for Box Culvert and wingwalls, will be paid for as Box Culvert End Section, Culvert No. 3

Bill of Material includes Concrete and Reinforcing for all Cast in Place Portions of Box Culvert and all Wing Walls



SECTION



OPENING FOR MEDIAN INLET

DESIGNED	KCM
CHECKED	TMM
DRAWN	JLM
CHECKED	TMM

BOX CULVERT DETAILS
IL ROUTE 13/15
OVER SUGAR CREEK
F.A.P. ROUTE 103 SECTION 27-1R
ST. CLAIR COUNTY
STATION 196+20.39
STRUCTURE NO. 082-2043