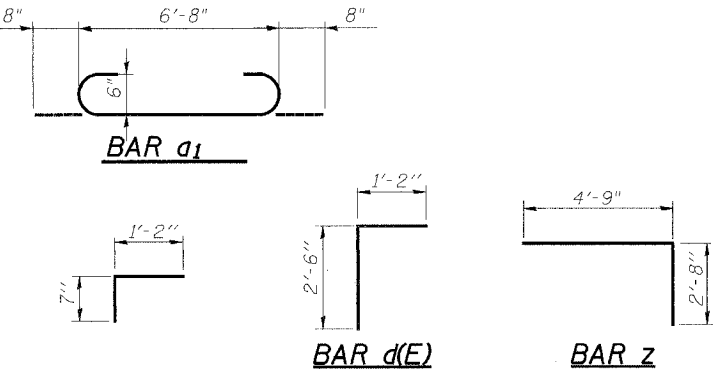
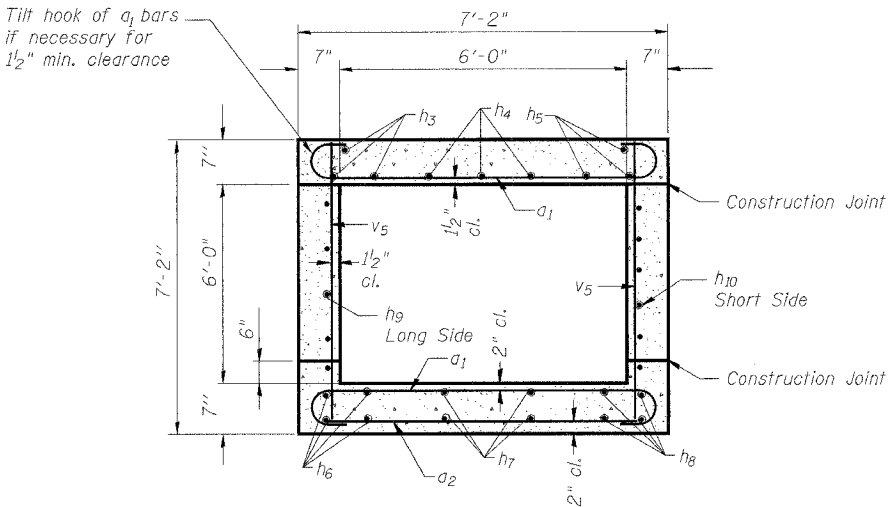
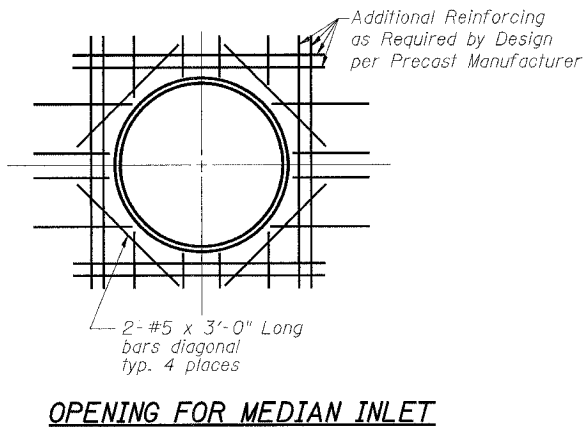
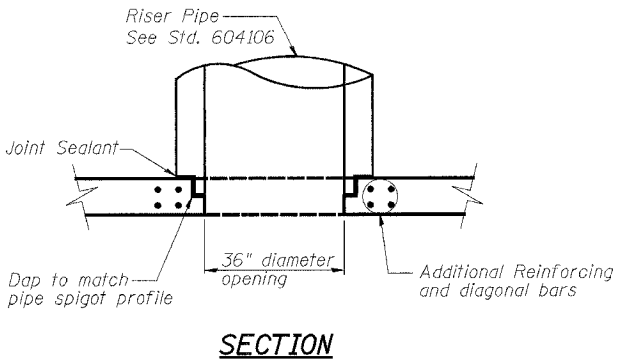


STATE OF ILLINOIS
DEPARTMENT OF TRANSPORTATION

ROUTE NO.	SECTION	COUNTY	TOTAL SHEETS	SHEET NO.	SHEET NO. 2 2 SHEETS
F.A.P. 103	27-1R	ST. CLAIR	382	196	
FED. ROAD DIST. NO. 7		ILLINOIS FED. AID PROJECT-		CONTRACT NO. 76300	



BILL OF MATERIAL

Bar	No.	Size	Length	Shape
a	12	#6	7'-3"	—
a ₁	26	#6	8'-0"	U
a ₂	6	#4	6'-6"	—
d	14	#4	3'-8"	L
d ₁ (E)	52	#5	3'-6"	L
h	4	#6	6'-9"	—
h ₁	22	#4	10'-3"	—
h ₂	22	#4	7'-0"	—
h ₃	6	#5	4'-3"	—
h ₄	6	#5	3'-6"	—
h ₅	6	#5	2'-9"	—
h ₆	8	#4	4'-3"	—
h ₇	8	#4	3'-6"	—
h ₈	8	#4	2'-9"	—
h ₉	12	#5	4'-9"	—
h ₁₀	12	#5	2'-9"	—
v	14	#4	2'-8"	—
v ₁	8	#4	6'-5"	—
v ₂ (E)	14	#4	6'-9"	—
v ₃ (E)	14	#4	8'-0"	—
v ₄ (E)	10	#4	9'-6"	—
v ₅	26	#4	6'-11"	—
v ₆	8	#4	5'-0"	—
w	14	#5	11'-0"	—
w ₁	14	#5	7'-3"	—
z	56	#6	7'-5"	L
* Concrete Box Culverts			Cu. Yd.	20.8
* Reinforcement Bars, Epoxy Coated			Pound	400
* Reinforcement Bars			Pound	2,110
Precast Concrete Box Culvert 6'x6'			Foot	199.0

*For information only. Cast in place concrete and reinforcing for Box Culvert and wingwalls will be paid for as Box Culvert End Section, Culvert NO. 4

Bill of Material includes concrete and reinforcing for all cast in place portions of Box Culvert and all wing walls.

DESIGNED	KCM
CHECKED	TMM
DRAWN	EJR
CHECKED	TMM

SINGLE BOX CULVERT 6x6
IL ROUTE 13/15
F.A.P. ROUTE 103 SECTION 27-1R
ST. CLAIR COUNTY
STATION 215+55.78