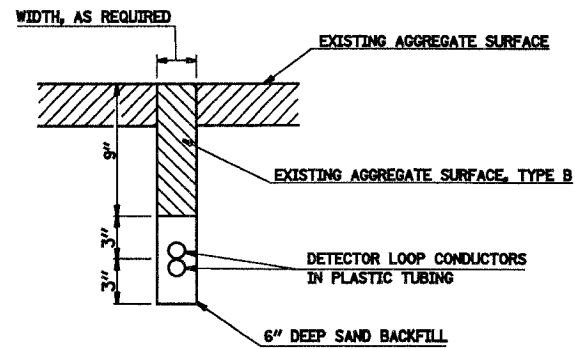


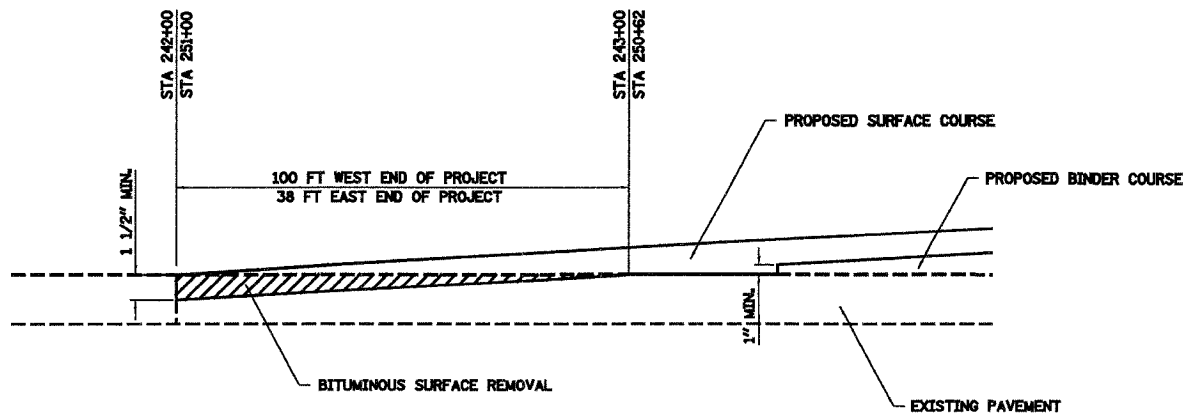
CONTRACT NO. 78394				
FAU ROUTE	SECTION	COUNTY	TOTAL SHEETS	SHEET NO.
9251	28-3BR-I	ST. CLAIR	102	20
STA.	TO STA.			
FED. ROAD DIST. NO.	ILLINOIS	FED. AID PROJECT		



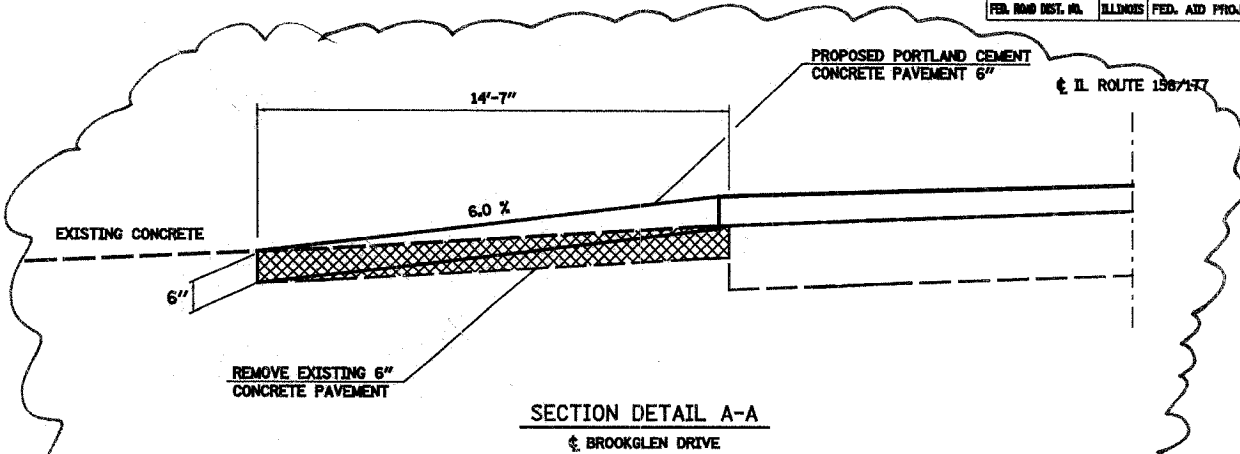
DETAIL
DETECTOR LOOP INSTALLED IN TRENCH

INSTALLATION IS TO BE DONE IN CONFORMANCE WITH THE REQUIREMENTS OF THE PLANS AND SECTION 886 OF THE STANDARD SPECIFICATIONS WITH THE FOLLOWING EXCEPTIONS:

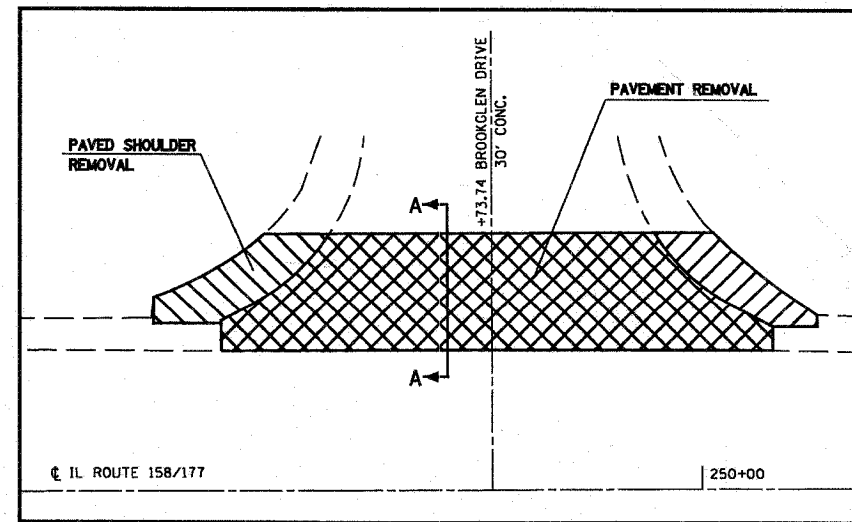
1. SLOTS ARE TO BE TRENCHED INSTEAD OF SAWED.
2. THIS WORK SHALL NOT BE PAID FOR SEPERATELY BUT SHALL BE INCLUDED IN THE COST OF TEMPORARY BRIDGE TRAFFIC SIGNALS - 1 EACH.



BUTT JOINT DETAIL
SN 082-0057(E) 0398(P)



SECTION DETAIL A-A
BROOKGLEN DRIVE



BROOKGLEN DRIVE REMOVAL DETAIL
PLAN VIEW

PLAT DATE: 4/28/2009
FILE NAME: 082-0057(E) 0398(P) 20.dwg
DRAWN BY: J. W. BROWN
CHECKED BY: J. W. BROWN
REFERENCE: 886

Rev. 4-21-06

REVISIONS	DATE

ILLINOIS DEPARTMENT OF TRANSPORTATION

MISCELLANEOUS DETAILS

FAU ROUTE 9251
SECTION 28-3BR-I
ST. CLAIR COUNTY
SN 082-0057(E) 0398(P)