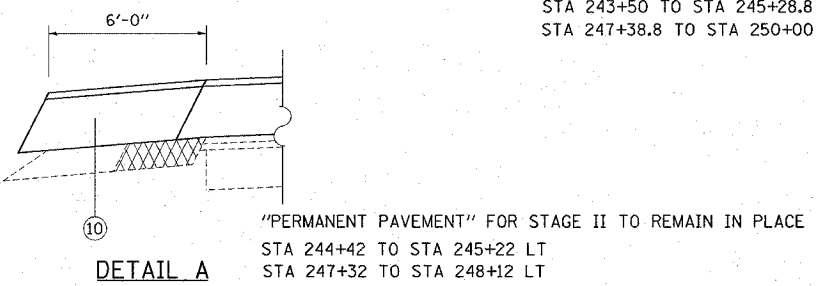
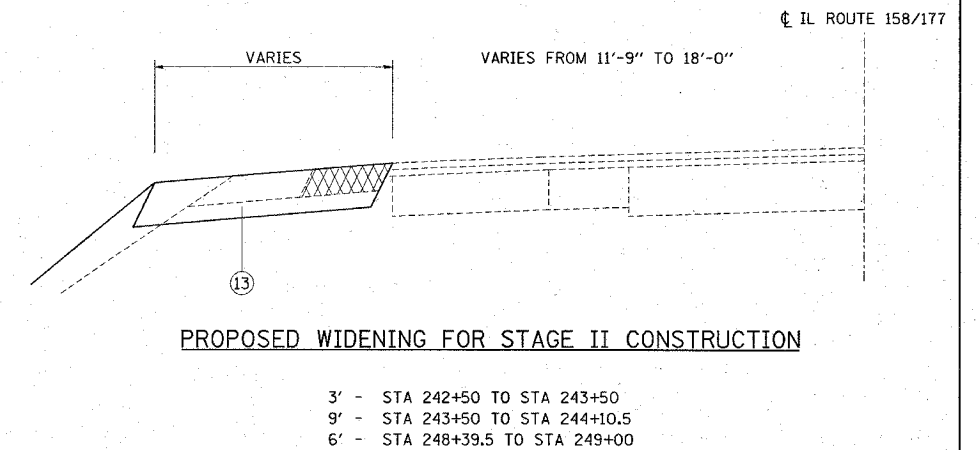
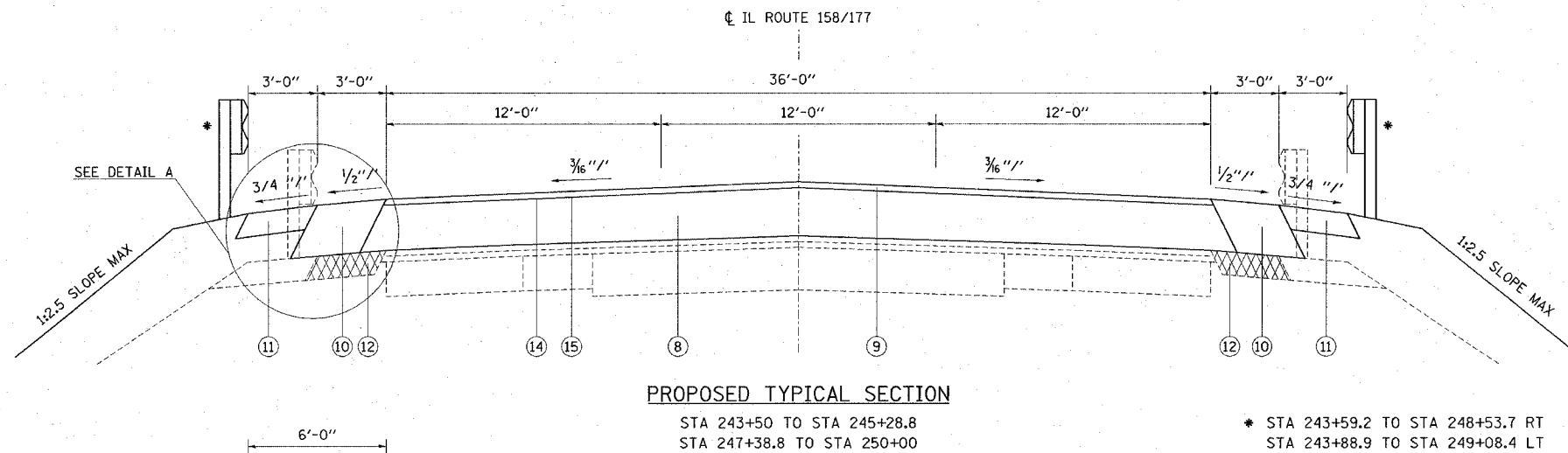
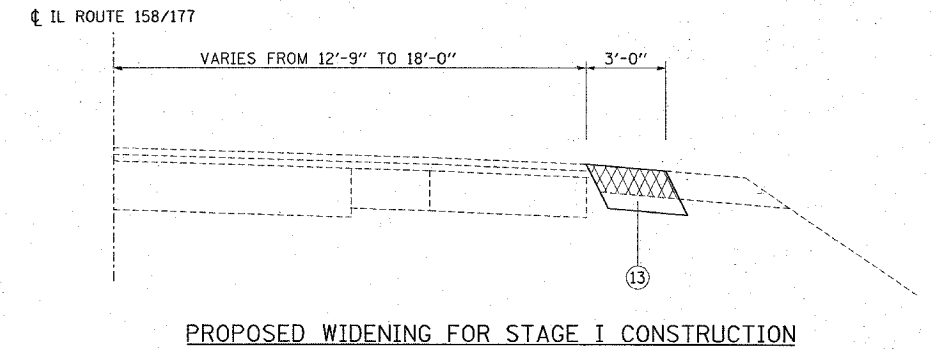
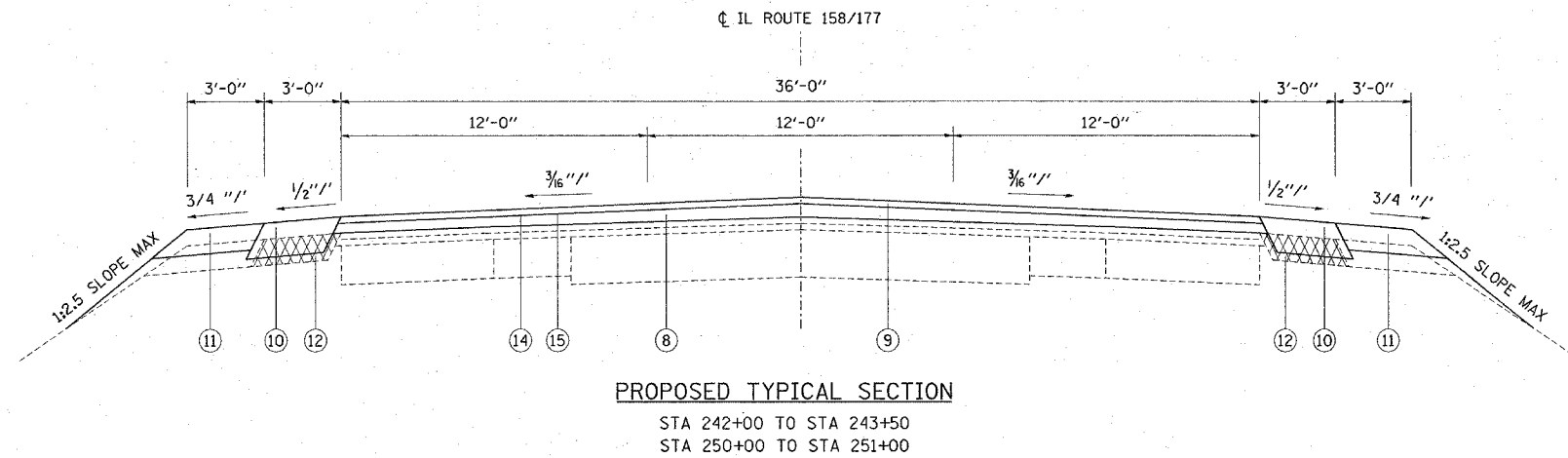
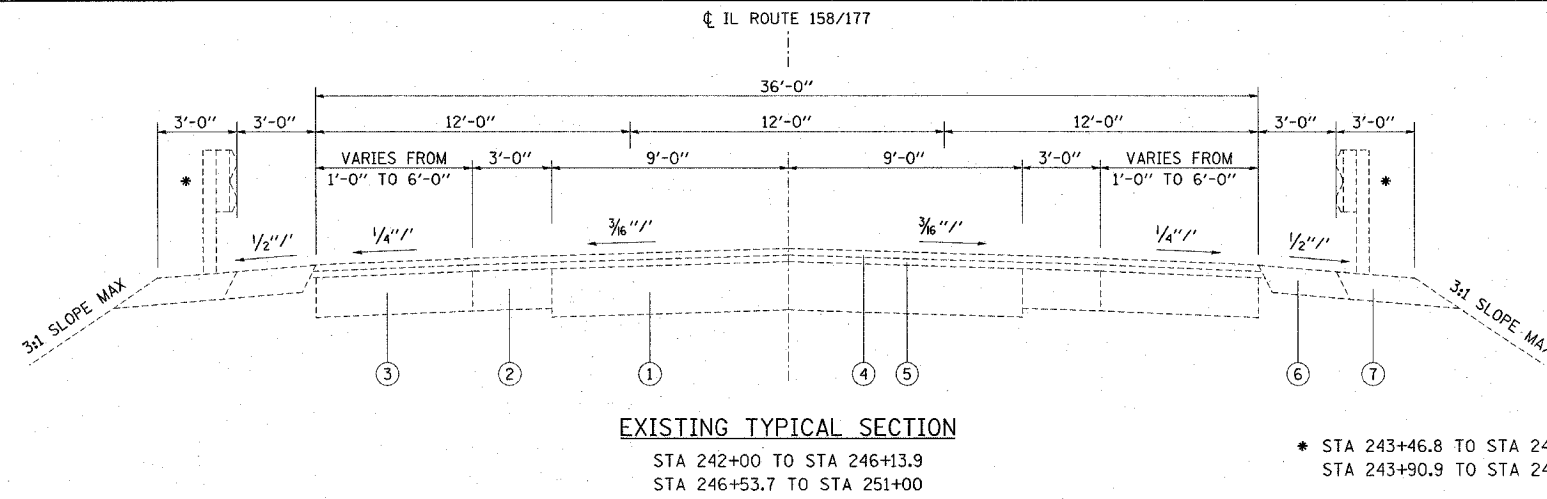


FAU RTE.	SECTION	COUNTY	TOTAL SHEETS	SHEET NO.
9251	28-3BR-I	ST. CLAIR	101	10
STA.		TO STA.		
FED. ROAD DIST. NO.		ILLINOIS FED. AID PROJECT		

LEGEND

- ① EXISTING PCC PAVEMENT - 11"
- ② EXISTING PCC BASE COURSE WIDENING - 9"
- ③ EXISTING PCC BASE COURSE WIDENING - 9"
- ④ EXISTING BITUMINOUS CONCRETE SURFACE COURSE - 1 1/2 "
- ⑤ EXISTING BITUMINOUS CONCRETE BINDER COURSE - 1 1/2 "
- ⑥ EXISTING BITUMINOUS SHOULDER - 6"
- ⑦ EXISTING AGGREGATE SHOULDER - 6"
- ⑧ PROPOSED BITUMINOUS CONCRETE BINDER COURSE, SUPERPAVE - VARIABLE DEPTH
- ⑨ PROPOSED BITUMINOUS CONCRETE SURFACE COURSE, SUPERPAVE - 1 1/2 "
- ⑩ PROPOSED BITUMINOUS SHOULDER, SUPERPAVE - 8"
- ⑪ PROPOSED AGGREGATE SHOULDER - 6"
- ⑫ PROPOSED PAVED SHOULDER REMOVAL - 6"
- ⑬ PROPOSED BITUMINOUS BASE COURSE, SUPERPAVE - 9 1/2"
- ⑭ PROPOSED BITUMINOUS MATERIALS PRIME COAT
- ⑮ PROPOSED AGGREGATE (PRIME COAT)



REVISIONS	
NAME	DATE

ILLINOIS DEPARTMENT OF TRANSPORTATION
TYPICAL SECTION
 FAU ROUTE 9251
 SECTION 28-3BR-I
 ST. CLAIR COUNTY
 SN 082-0057(E) 0398(P)

PLOT DATE = 3/1/2006
 FILE NAME = c:\pavsec\edit248\plan\pln051a.dgn
 SHEET NO. = 10
 REFERENCE = #REF#