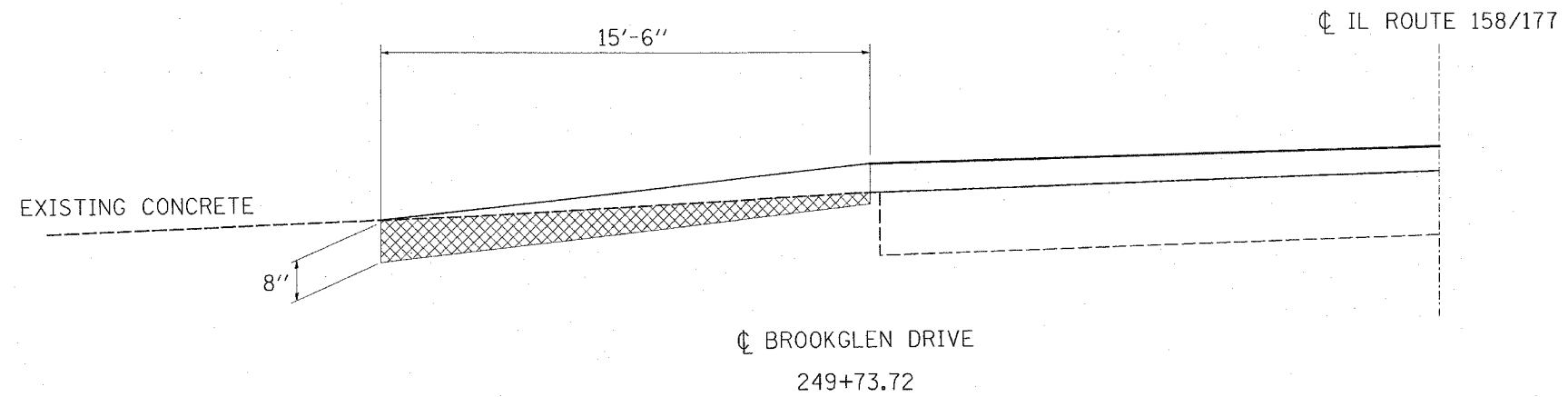


| F.A.S. RTE. | SECTION | COUNTY | TOTAL SHEETS | SHEET NO. |
|---------------------|----------|------------------|--------------|-----------|
| 1848 | 28-3BR-I | ST. CLAIR | 101 | 21 |
| STA. | | TO STA. | | |
| FED. ROAD DIST. NO. | ILLINOIS | FED. AID PROJECT | | |



PLOT DATE = 2/9/2006
 FILE NAME = c:\projects\ref2488\plan\plan954b.dgn
 PLOT SCALE = 1/8" = 1'-0"
 REFERENCE = #REF#

| REVISIONS | |
|-----------|------|
| NAME | DATE |
| | |
| | |
| | |
| | |
| | |
| | |
| | |
| | |
| | |
| | |

ILLINOIS DEPARTMENT OF TRANSPORTATION

MISCELLANEOUS DETAILS

FAU ROUTE 9251
 SECTION 28-3BR-I
 ST. CLAIR COUNTY
 SN 082-0057(E) 0398(P)