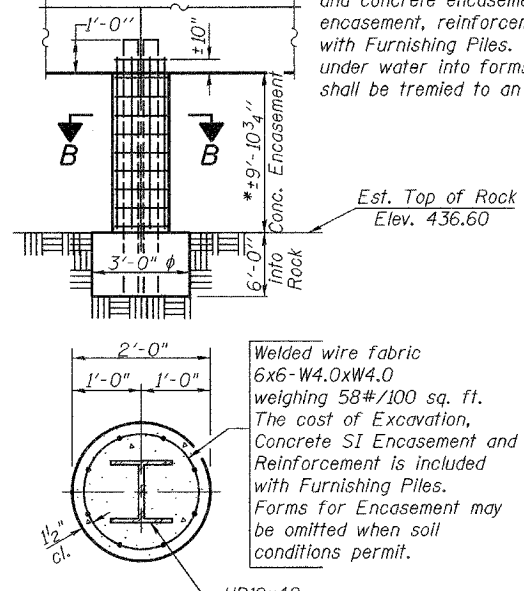


STATE OF ILLINOIS
DEPARTMENT OF TRANSPORTATION

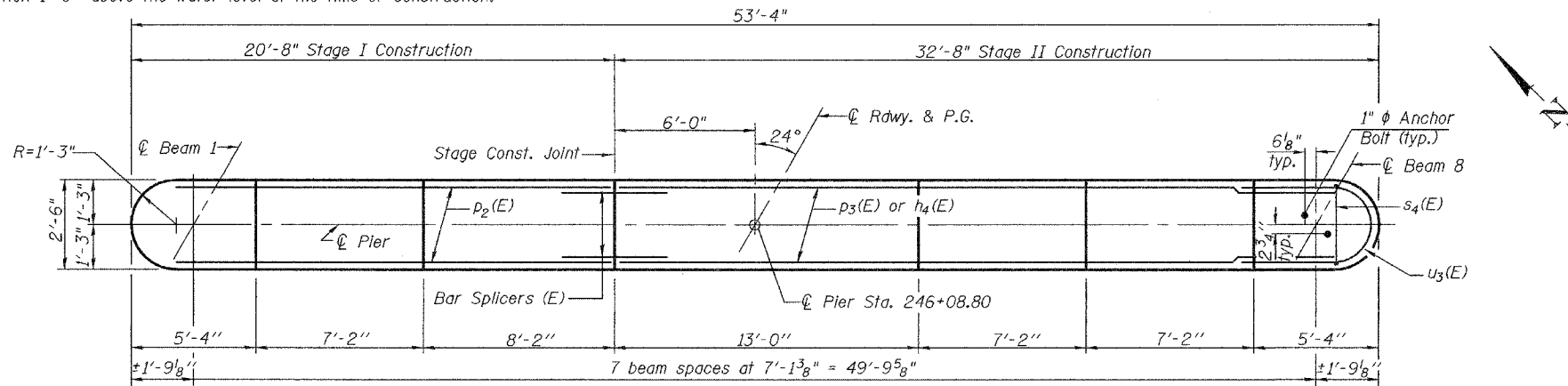
ROUTE NO.	SECTION	COUNTY	STATION	SHEET	SHEET NO. 14
F.A.U. 9251	28-3 BR-1	ST. CLAIR	101	37	18 SHEETS
FED. ROAD DIST. NO. 7	ILLINOIS	FED. AID PROJECT			

Contract #76394

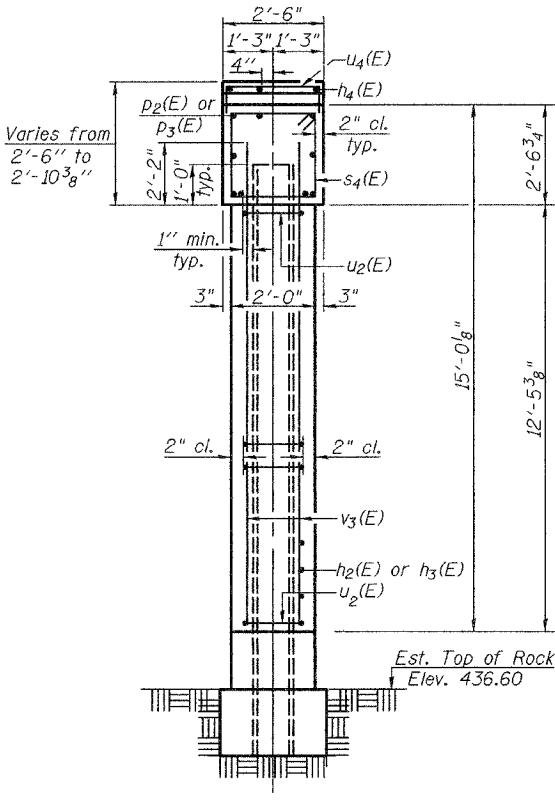
*Forms shall be placed below Elev. ±446.50 after excavation for pier wall. Reinforcement and concrete encasement shall be poured underwater into forms. The cost of concrete encasement, reinforcement, form excavation, and furnishing and placing forms is included with Furnishing Piles. If a portion of the pier wall is under water, concrete shall be tremied under water into forms according to Article 503.08 of the Standard Specifications. Concrete shall be tremied to an elevation 1'-0" above the water level at the time of construction.



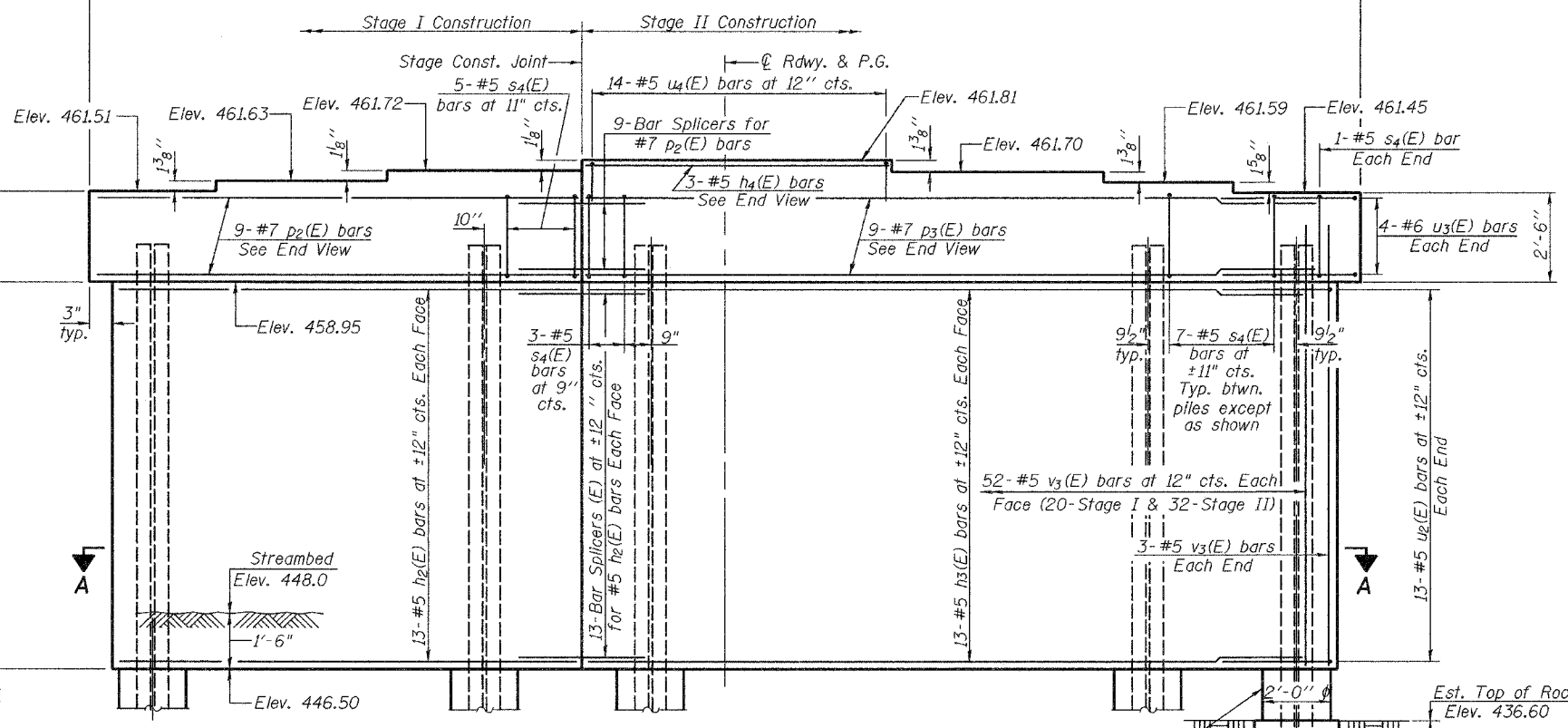
SECTION B-B
PILE ENCASEMENT DETAIL



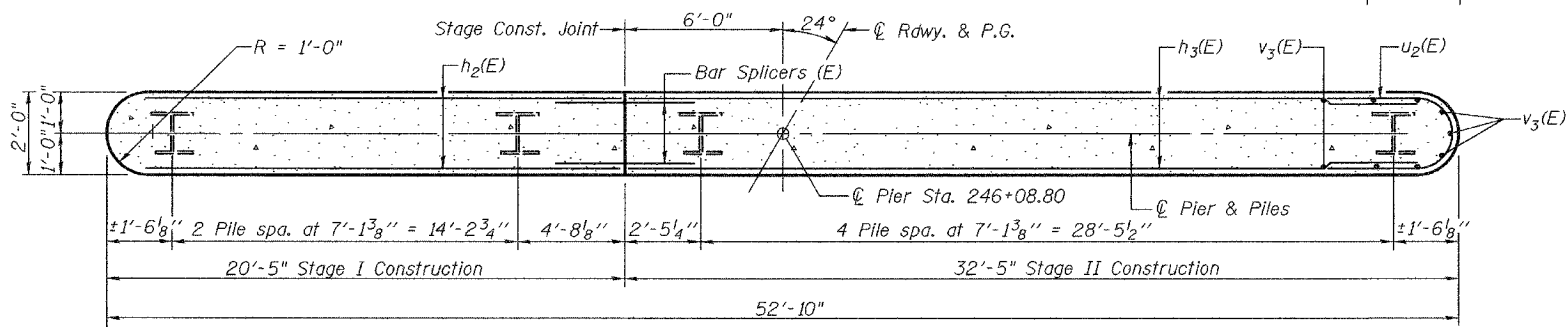
TOP PLAN



END VIEW



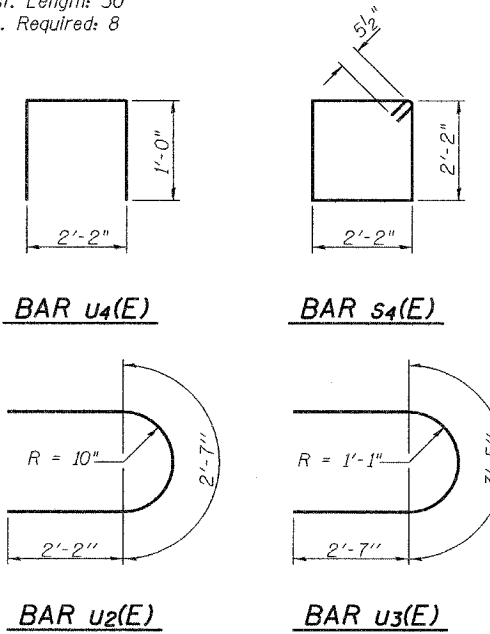
ELEVATION
(Looking East)



SECTION A-A

PILE DATA

Type: Steel HP10x42
Nominal Req'd. Bearing: Set in Rock
Nominal Design Capacity: 207 tons
Est. Length: 30'
No. Required: 8



BILL OF MATERIAL

Bar	No.	Size	Length	Shape
h2(E)	26	#5	19'-3"	—
h3(E)	26	#5	31'-3"	—
h4(E)	3	#5	12'-8"	—
p2(E)	9	#7	19'-3"	—
p3(E)	9	#7	31'-3"	—
s4(E)	52	#5	9'-7"	□
u2(E)	26	#5	6'-11"	U
u3(E)	8	#6	8'-7"	U
u4(E)	14	#5	4'-2"	□
v3(E)	110	#5	14'-6"	—
Concrete Structures		Cu. Yd.	61.6	
Reinforcement Bars, Epoxy Coated		Pound	4870	
Furnishing Steel Piles HP10x42		Foot	240	
Setting Piles in Rock		Each	8	
Structure Excavation		Cu. Yd.	63	
Underwater Structure Excavation Protection Location 3		Each	1	

Notes:
Pour steps monolithically with cap.
Reinforcement bars designated (E) shall be epoxy coated.
For anchor bolt installation details see sheet 11 of 18.
For bar splicer details see sheet 16 of 18.

DESIGNED	Rebecca Tharp
CHECKED	Curt Evoy
DRAWN	R. Sommer
CHECKED	RLT/CME

EXAMINED	Thomas J. Domagala	March 16, 2006
PASSED	Ralph E. Anderson	

PIER 1
F.A.U. ROUTE 9251 - SECTION 28-3BR-1
ST. CLAIR COUNTY
STATION 246+33.80
STRUCTURE NO. 082-0398