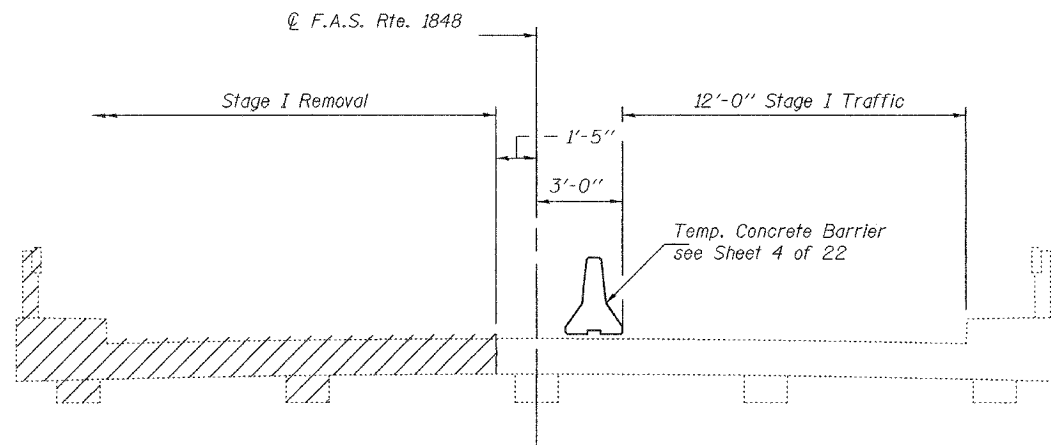


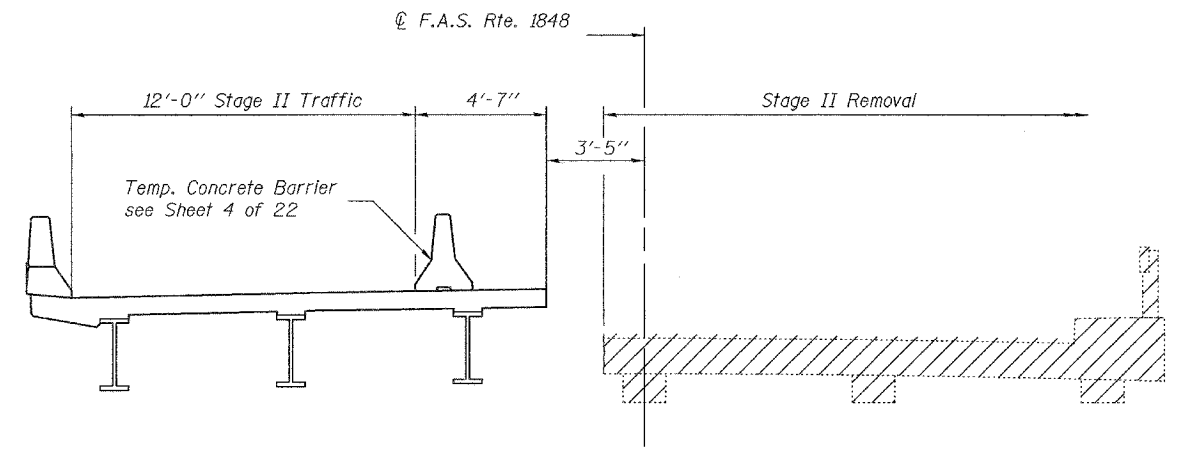
STATE OF ILLINOIS
DEPARTMENT OF TRANSPORTATION

ROUTE NO.	SECTION	COUNTY	TOTAL SHEETS	SHEET NO.	SHEET NO. 3 22 SHEETS
F.A.S. 1848	28-4BR	ST. CLAIR	101	70	
FED. ROAD DIST. NO. 7	ILLINOIS	FED. AID PROJECT			

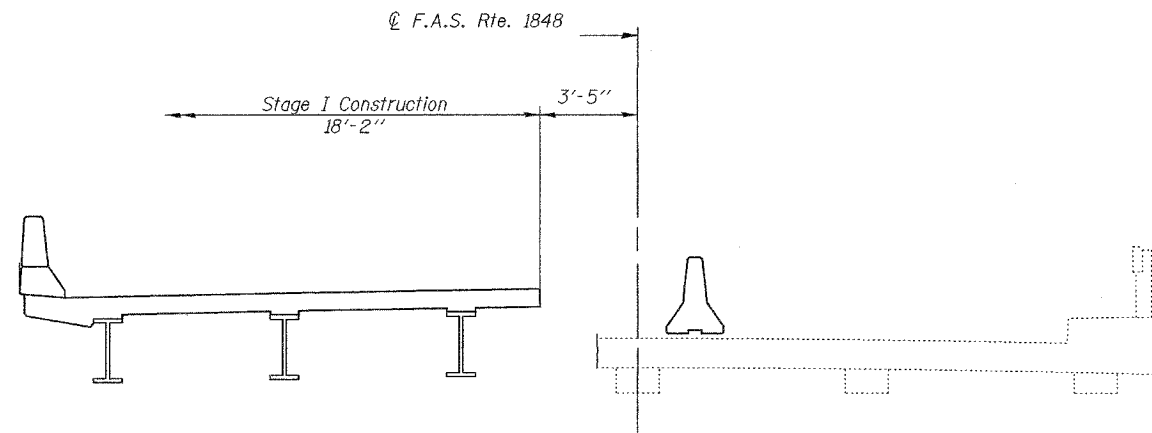
Contract #76394



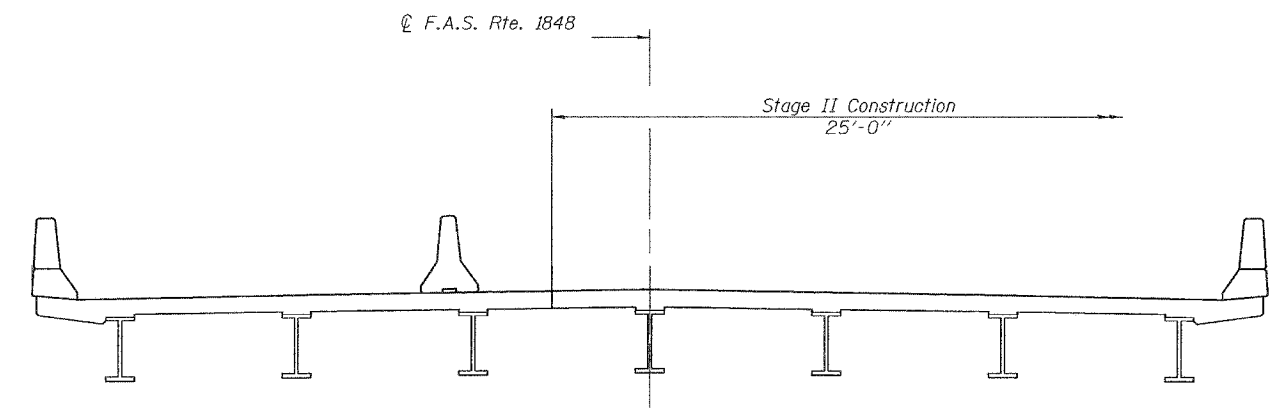
STAGE I REMOVAL



STAGE II REMOVAL



STAGE I CONSTRUCTION



STAGE II CONSTRUCTION

Notes:
All staging cross sections are taken looking East.
Hatched area indicates Removal of Existing Structures.
For quantity of Temporary Concrete Barrier, see roadway plans.

DESIGNED	M.D. Cima
CHECKED	R.J.C.
DRAWN	W.D. Collins
CHECKED	M.D.C. R.J.C.

March 17, 2006
EXAMINED *Thomas J. Demagalaki*
PASSED *Ralph E. Anderson*
ENGINEER OF BRIDGES AND STRUCTURES

STAGE CONSTRUCTION
F.A.S. ROUTE 1848 - SECTION 28-4BR
ST. CLAIR COUNTY
STATION 356+18.50
STRUCTURE NO. 082-0272