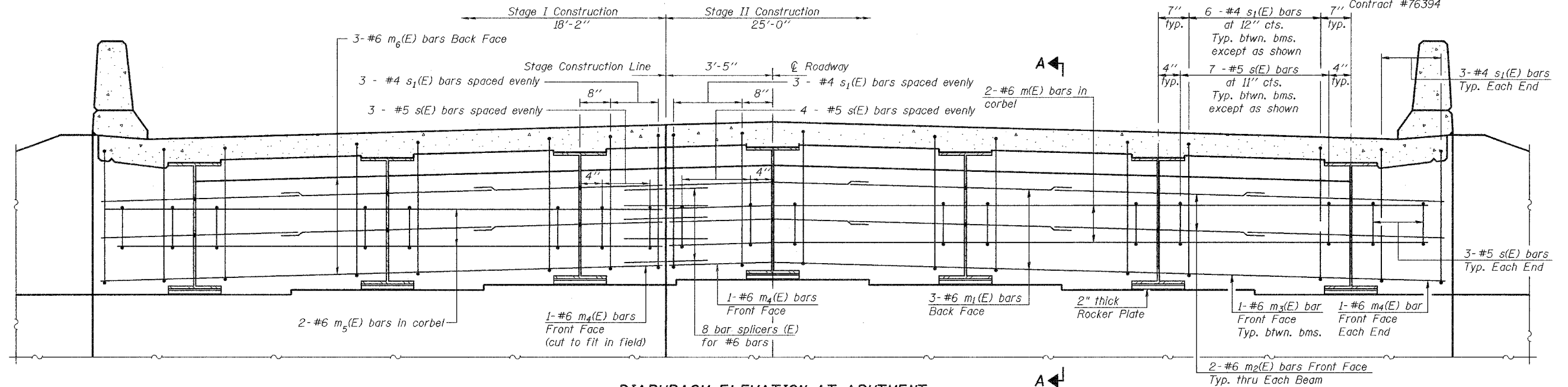


STATE OF ILLINOIS
DEPARTMENT OF TRANSPORTATION

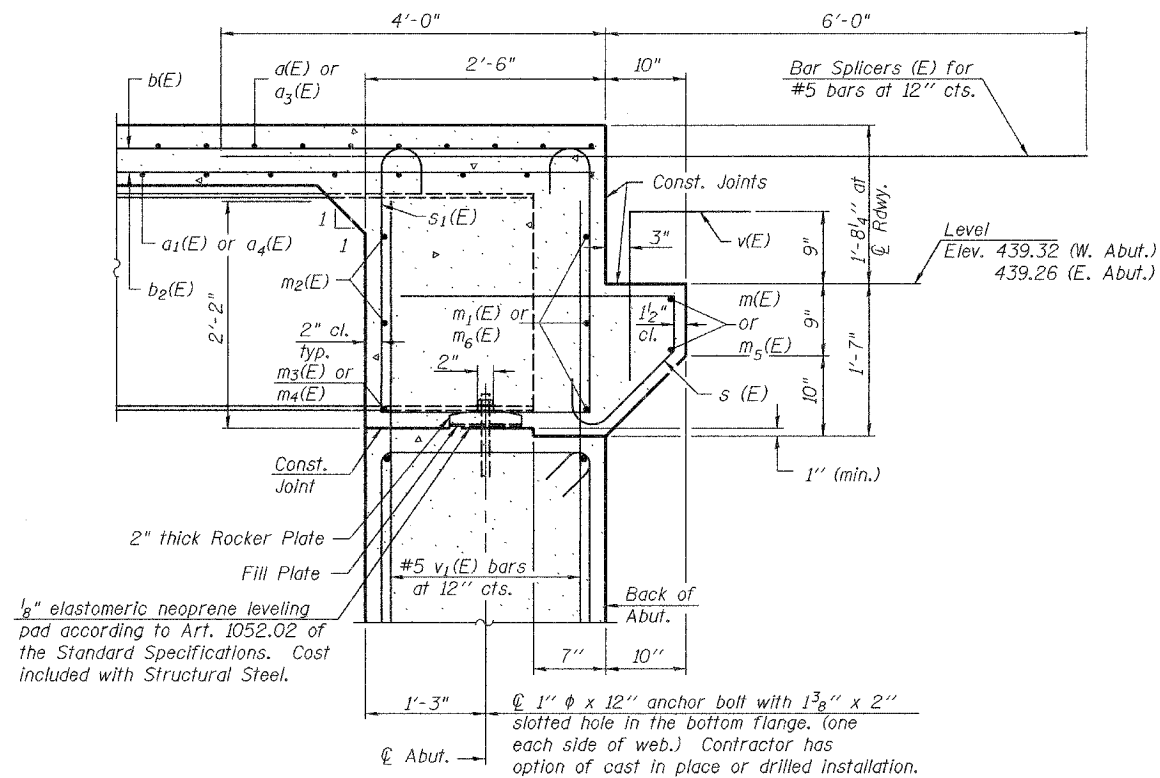
ROUTE NO.	SECTION	COUNTY	TOTAL SHEETS	SHEET NO.
F.A.S. 1848	28-4BR	ST. CLAIR	101	76
FED. ROAD DIST. NO. 7	ILLINOIS	FED. AID PROJECT		

Contract #76394



DIAPHRAGM ELEVATION AT ABUTMENT
(Looking East)
West Abutment similar by rotation of 180°

MIN. BAR LAP
#6 bar = 2'-9"



SECTION A-A

Dimensions at right angles to abutment.

Notes:
Reinforcement bars in diaphragm are billed with superstructure on sheet 8 of 22.
Concrete in diaphragm is included with Concrete Superstructure on sheet 8 of 22.
For details of bars s(E) & s1(E) see sheet 8 of 22.
The s(E) and s1(E) bars shall be placed parallel to the beams. Spacing for these bars shall be at right angles to the beams.
For anchor bolt details see sheet 12 of 22.
For bar splicer details see sheet 18 of 22.

DESIGNED	M.D. Cima
CHECKED	R.J.C.
DRAWN	W.D. Collins
CHECKED	M.D.C. R.J.C.

March 17, 2006
EXAMINED *Thomas J. Domagalaki*
PASSED *Ralph E. Anderson*
ENGINEER OF BRIDGES AND STRUCTURES

DIAPHRAGM DETAILS
F.A.S. ROUTE 1848 - SECTION 28-4BR
ST. CLAIR COUNTY
STATION 356+18.50
STRUCTURE NO. 082-0272