

STATE OF ILLINOIS  
DEPARTMENT OF TRANSPORTATION

ROUTE NO.	SECTION	COUNTY	TOTAL SHEETS	SHEET NO.	SHEET NO. 19
F.A.S. 1848	28-4BR	ST. CLAIR	101	86	22 SHEETS
FED. ROAD DIST. NO. 7	ILLINOIS	FED. AID PROJECT			

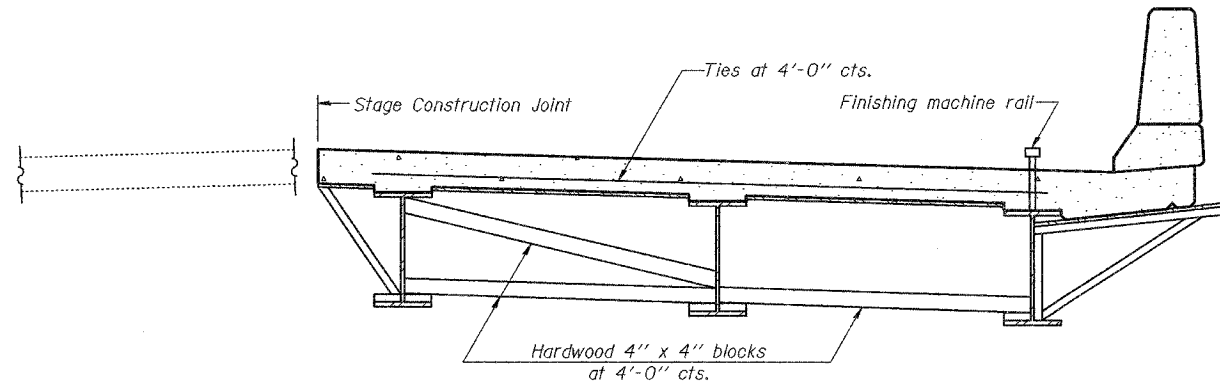
Contract #76394

When cantilever forming brackets are used, the work shall be done according to Article 503.06, except as modified below and in the details shown on this sheet.

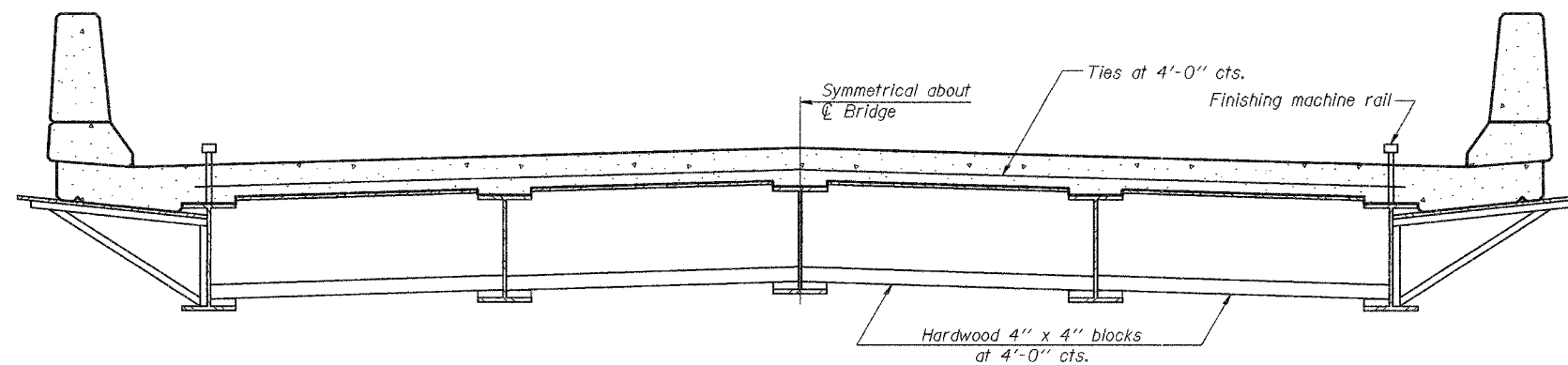
The finishing machine rails shall be placed on the top flange of the exterior beams.

The beams or girders, supporting cantilever forming brackets, shall be tied together at 4 foot intervals.

For Standard construction, or Stage Construction the Hardwood bracing materials shall be placed as shown between webs of beams in each bay.



**FORM BRACES FOR  
STAGE CONSTRUCTION**



**FORM BRACES FOR  
STANDARD CONSTRUCTION**

DESIGNED	M.D.C.
CHECKED	R.J.C.
DRAWN	W.D. Collins
CHECKED	M.D.C. R.J.C.

March 17, 2006	EXAMINED
	ENGINEER OF BRIDGE DESIGN
	PASSED
	ENGINEER OF BRIDGES AND STRUCTURES

SB-1

10-22-04

**CANTILEVER FORMING BRACKETS**  
**F.A.S. ROUTE 1848 - SECTION 28-4BR**  
**ST. CLAIR COUNTY**  
**STATION 356+18.50**  
**STRUCTURE NO. 082-0272**