

F.A.P. RTE.	SECTION	COUNTY	TOTAL SHEETS	SHEET NO.
592	1211-1	ST. CLAIR	16	2
STA.		TO STA.		
FED. ROAD DIST. NO.		ILLINOIS FED. AID PROJECT		

# GENERAL NOTES

- ① IF ANY SECTION OR SUB-SECTION MONUMENTS ARE ENCOUNTERED, THE ENGINEER SHALL BE NOTIFIED BEFORE SUCH MONUMENTS ARE REMOVED OR RESURFACED OVER. THE CONTRACTOR SHALL PROTECT AND CAREFULLY PRESERVE ALL PROPERTY MARKERS AND MONUMENTS UNTIL THE OWNER, AN AUTHORIZED SURVEYOR, OR AGENT HAS WITNESSED OR OTHERWISE REFERENCED THEIR LOCATION.
- ② EXCEPT WHERE DESIGNATED OTHERWISE, THE LOCATIONS AND/OR DEPTHS OF UNDERGROUND UTILITIES SHOWN HAVE BEEN TAKEN FROM OFFICE RECORD INFORMATION FURNISHED BY THE UTILITY OWNERS AND MUST BE CONSIDERED APPROXIMATE.
- ③ ILLINOIS STATE LAW REQUIRES A 48-HOUR NOTICE TO BE GIVEN TO UTILITIES BEFORE DIGGING. FIELD MARKING OF FACILITIES MAY BE OBTAINED BY CONTACTING J.U.L.I.E. OR FOR NON-MEMBERS, THE UTILITY COMPANY DIRECTLY. AGENCIES KNOWN TO HAVE FACILITIES WITHIN THE PROJECT AREA ARE AS FOLLOWS:

UTILITY	ABOVE GROUND	BELOW GROUND
*AMERENIP		X
*AMEREN-UE	X	X
*CHARTER COMMUNICATIONS, INC.	X	X
*COMMONFIELDS OF CAHOKIA PUBLIC WATER DISTRICT		X
*ILLINOIS AMERICAN WATER CO.		X
*MCI NETWORK SERVICES, INC.		X
*NETWORKS, 360	X	X
*SBC	X	X
*VERIZON NORTH, INC.	X	X

MEMBERS OF J.U.L.I.E. (800)-892-0123 ARE INDICATED BY \*. NON J.U.L.I.E. MEMBERS MUST BE NOTIFIED INDIVIDUALLY.

- ④ THE CONTRACTOR SHALL BE AWARE THAT THERE ARE MANHOLES & VALVES LOCATED WITHIN THE RESURFACING LIMITS. CARE SHALL BE TAKEN IN THESE LOCATIONS DURING MILLING OPERATIONS.
- ⑤ THE THICKNESS OF THE BITUMINOUS MIXTURE SHOWN ON THE PLANS IS THE NOMINAL THICKNESS. DEVIATIONS FROM THE NOMINAL THICKNESS WILL BE PERMITTED WHEN SUCH DEVIATIONS OCCUR DUE TO IRREGULARITIES IN THE EXISTING SURFACE OR BASE ON WHICH THE BITUMINOUS MIXTURE IS PLACED.
- ⑥ SHORT-TERM PAVEMENT MARKING SHALL BE APPLIED TO THE MILLED, PRIMED AND FINAL BITUMINOUS SURFACE. A QUANTITY FOR TEMPORARY PAVEMENT MARKING EQUAL TO THE AMOUNT OF PERMANENT MARKING HAS BEEN ADDED TO THE PLANS.
- ⑦ THE FOLLOWING MIXTURE REQUIREMENTS ARE APPLICABLE FOR THIS PROJECT:

ROUTE	IL 157
SECTION	1211-1
COUNTY	ST. CLAIR
CONTRACT	76956

DESCRIPTION:	Construction of RTL on IL 157 @ IL 163 - Centreville
--------------	--

ADT (Construction Yr)	10600
MUZ:	1.3
SUZ:	4
20 YR. ESAL'S:	1.37

MIXTURE USE	SURFACE	LEVEL BINDER	Binder / Widening	INCIDENTAL SURF	Partial Depth Patch
AC/PG	PG 64-22	PG 64-22	PG 64-22	PG 64-22	PG 64-22
RAP % (MAX)	10%	10%	15%	10%	10%
DESIGN AIR VOIDS	4.0% @ Ndes=70	4.0% @ Ndes=70	4.0% @ Ndes=70	4.0% @ Ndes=70	4.0% @ Ndes=70
MIX COMPOSITION (GRADATION MIXTURE)					
FRICITION AGG	Mixture "D"	MIXTURE "C"	MIXTURE "B"	MIXTURE "C"	MIXTURE "C"

MIXTURE USE	SHOULDERS	TOP LIFT SHOULDERS
AC/PG	PG 58-22	PG 58-22
RAP % (MAX)	30%	30%
DESIGN AIR VOIDS	2.0% @ Ndes=30	**2.0% @ Ndes=30
MIX COMPOSITION (GRADATION MIXTURE)		
FRICITION AGG	BAM	BAM

\*\* Top Lift Shoulders - Design this mix at 2.0% voids and add asphalt to reduce voids to 1.5%.  
Plan quantities for Bituminous Concrete Surface Course Items are calculated using a unit weight of 112 lb/sq yd/in (59.8 kg/sq m/25 mm thickness).

- ⑧ ALL EROSION CONTROL PRODUCTS FURNISHED SHALL BE SPECIFICALLY RECOMMENDED BY THE MANUFACTURER FOR THE USE SPECIFIED IN THE EROSION CONTROL PLANS. PRIOR TO THE APPROVAL AND USE OF THE PRODUCT, THE CONTRACTOR SHALL SUBMIT TO THE ENGINEER A NOTARIZED CERTIFICATE BY THE PRODUCER STATING THE INTENDED USE OF THE PRODUCT AND THAT THE PHYSICAL PROPERTIES REQUIRED FOR THIS APPLICATION ARE MET OR EXCEEDED. THE CONTRACTOR SHALL PROVIDE THE MANUFACTURER RECOMMENDED INSTALLATION PROCEDURES TO FACILITATE THE ENGINEER IN CONSTRUCTION INSPECTION.
- ⑨ NO OVERNIGHT LANE CLOSURES WILL BE ALLOWED.
- ⑩ ROAD CONSTRUCTION AHEAD SIGNS SHALL BE PLACED AT THE BEGINNING AND END OF THE PROJECT PLUS THE INTERSECTING SIDE ROADS, AND WILL BE INCLUDED IN THE TRAFFIC CONTROL PAY ITEMS. ALL CONSTRUCTION SIGNS SHALL BE FLUORESCENT ORANGE.
- ⑪ FLAGMEN SHALL BE PRESENT DURING ALL CLOSURE HOURS, INCLUDING LUNCH HOUR, AND NO ADDITIONAL COMPENSATION SHALL BE APPLIED.
- ⑫ ALL TRAFFIC CONTROL DEVICES SHALL BE SKID MOUNTED
- ⑬ EXCAVATION ADJACENT TO EDGE OF PAVEMENT SHALL BE PROTECTED WITH EXTENDED LEG BARRICADES WITH APPROPRIATE LIGHTS.
- ⑭ ANY SIGNS DISTURBED DURING CONSTRUCTION SHALL BE PROTECTED AND RESTORED ACCORDING TO ARTICLE 107.25 OF THE STANDARD SPECIFICATIONS.
- ⑮ THE CONTRACTOR SHALL VERIFY ALL DIMENSIONS AND CONDITIONS IN THE FIELD PRIOR TO CONSTRUCTION AND ORDERING OF MATERIALS.
- ⑯ ALL SAW CUTTING FOR REMOVAL ITEMS SHALL BE INCLUDED IN THE COST OF THE REMOVAL ITEM. ALL SAWCUTS SHALL BE FULL DEPTH IN ORDER TO PREVENT DAMAGE TO THE PAVEMENT REMAINING IN PLACE. THIS COST IS INCLUDED IN THE REMOVAL ITEM.
- ⑰ AREAS PAID FOR AS "PAVEMENT REMOVAL" SHALL INCLUDE THE REMOVAL OF CURB AND GUTTER, AGGREGATE, AND ANY OTHER MATERIALS WITHIN THE REMOVAL LIMITS SHOWN IN THE PLANS. NO ADDITIONAL COMPENSATION SHALL BE ALLOWED.
- ⑱ AN ESTIMATED 90 TONS OF BITUMINOUS SURFACE WILL BE REMOVED DURING MILLING OPERATIONS.
- ⑲ ALL NUTRIENTS REQUIRED FOR "SEEDING, CLASS 2A" SHALL BE INCLUDED IN THE COST OF "SEEDING, CLASS 2A" AND NO ADDITIONAL COMPENSATION SHALL BE ALLOWED.
- ⑳ IF AT ANY POINT DURING THE MILLING OPERATION THE CONCRETE BASE IS ENCOUNTERED, THE MILLING DEPTH SHALL BE REDUCED SO THAT THE CONCRETE BASE IS NOT DISTURBED.
- ㉑ IF THE MILLING OPERATION DOES NOT REMOVE ALL CONFLICTING EXISTING PAVEMENT MARKING, THE REQUIRED REMOVAL SHALL BE PAID FOR AS "WORK ZONE PAVEMENT MARKING REMOVAL". AN ADDITIONAL 80 SQ. FT. HAS BEEN INCLUDED IN THE PLANS.

## STANDARDS

- 442201-01
- 482001
- 482011-01
- 606001-02
- 630001-06
- 701006-02
- 701011-01
- 701201-02
- 701301-02
- 701306-01
- 701311-02
- 701326-02
- 702001-06
- 720001
- 720006
- 780001-01
- 781001-02
- 000001-04
- 001001
- 001006

## INDEX OF SHEETS

- 1. COVER SHEET
- 2. INDEX OF SHEETS, GENERAL NOTES
- 3. STANDARDS & COMMITMENTS
- 4. SUMMARY OF QUANTITIES
- 5. MISCELLANEOUS SCHEDULES
- 5.-6. TYPICAL SECTIONS
- 7.-8. PLAN VIEW
- 9. PAVEMENT MARKING
- 10.-11. DETAILS
- 12.-16. CROSS SECTIONS

## COMMITMENTS

COMMITMENTS FOR THIS PROJECT ARE AS FOLLOWS:

NONE

REVISIONS	
NAME	DATE

ILLINOIS DEPARTMENT OF TRANSPORTATION  
**GENERAL NOTES, INDEX OF SHEETS  
 STANDARDS & COMMITMENTS**  
 FAP ROUTE 592  
 SECTION 1211-1  
 ST. CLAIR COUNTY

SCALE: VERT. \_\_\_\_\_  
 DATE \_\_\_\_\_ HORIZ. \_\_\_\_\_  
 DRAWN BY \_\_\_\_\_  
 CHECKED BY \_\_\_\_\_

Rev. 4-11-06

# SUMMARY OF QUANTITIES

F.A.P. RTE.	SECTION	COUNTY	TOTAL SHEETS	SHEET NO.
592	1211-1	ST. CLAIR	16	3
STA.		TO STA.		
FED. ROAD DIST. NO.		ILLINOIS	FED. AID PROJECT	

SUMMARY OF QUANTITIES			CONSTRUCTION TYPE CODE		
CODE NO	ITEM	UNIT	TOTAL QUANTITIES	URBAN 90% FED 10% STATE 1000-1A	
20200100	EARTH EXCAVATION	CU YD	232	232	
25000210	SEEDING, CLASS 2A	ACRE	0.1	0.1	
25100115	MULCH, METHOD 2	ACRE	0.1	0.1	
28000250	TEMPORARY EROSION CONTROL SEEDING	POUND	10	10	
31101200	SUB-BASE GRANULAR MATERIAL, TYPE B 4"	SQ YD	71	71	
35101400	AGGREGATE BASE COURSE, TYPE B	TON	466	466	△
35400500	PORTLAND CEMENT CONCRETE BASE COURSE WIDENING 10"	SQ YD	247	247	
40600200	BITUMINOUS MATERIALS (PRIME COAT)	TON	0.7	0.7	
40600300	AGGREGATE (PRIME COAT)	TON	3	3	
40600990	TEMPORARY RAMP	SQ YD	71	71	
44000030	BITUMINOUS SURFACE REMOVAL (VARIABLE DEPTH)	SQ YD	1971	1971	
44000100	PAVEMENT REMOVAL	SQ YD	406	406	
44003100	MEDIAN REMOVAL	SQ FT	652	652	△
44004250	PAVED SHOULDER REMOVAL	SQ YD	160	160	
44200172	PAVEMENT PATCHING, TYPE III, 14 INCH	SQ YD	16	16	
44300200	STRIP REFLECTIVE CRACK CONTROL TREATMENT	FOOT	739	739	
48202600	BITUMINOUS SHOULDERS SUPERPAVE 8"	SQ YD	161	161	△
60603800	COMBINATION CONCRETE CURB AND GUTTER, TYPE B-6.12	FOOT	468	468	
60618300	CONCRETE MEDIAN SURFACE, 4 INCH	SQ FT	1167	1167	△
<del>60619600</del>	<del>CONCRETE MEDIAN, TYPE SB-6.12</del>	<del>SQ FT</del>	<del>208</del>	<del>208</del>	<del>△</del>
63300900	VERTICAL ADJUSTMENT OF GUARD RAIL	FOOT	24	24	
63300930	VERTICAL ADJUSTMENT OF TRAFFIC BARRIER TERMINAL, TYPE 1A	EACH	1	1	
67000400	ENGINEER'S FIELD OFFICE, TYPE A	CAL MO	5	5	
67100100	MOBILIZATION	L SUM	1	1	
70100450	TRAFFIC CONTROL AND PROTECTION, STANDARD 701201	L SUM	1	1	
70100460	TRAFFIC CONTROL AND PROTECTION, STANDARD 701306	L SUM	1	1	
70100500	TRAFFIC CONTROL AND PROTECTION, STANDARD 701326	L SUM	1	1	
70103815	TRAFFIC CONTROL SURVEILLANCE	CAL DA	20	20	
70300100	SHORT-TERM PAVEMENT MARKING	FOOT	405	405	
70300210	TEMPORARY PAVEMENT MARKING - LETTERS AND SYMBOLS	SQ FT	93	93	
70300220	TEMPORARY PAVEMENT MARKING - LINE 4"	FOOT	3082	3082	
70300260	TEMPORARY PAVEMENT MARKING - LINE 12"	FOOT	224	224	
70301000	WORK ZONE PAVEMENT MARKING REMOVAL	SQ FT	1324	1324	

SUMMARY OF QUANTITIES			CONSTRUCTION TYPE CODE		
CODE NO	ITEM	UNIT	TOTAL QUANTITIES	URBAN 90% FED 10% STATE 1000-1A	
* 72000100	SIGN PANEL - TYPE 1	SQ FT	9	9	
* 73000100	WOOD SIGN SUPPORT	FOOT	29	29	
* 78000100	THERMOPLASTIC PAVEMENT MARKING - LETTERS AND SYMBOLS	SQ FT	93	93	
* 78000200	THERMOPLASTIC PAVEMENT MARKING - LINE 4"	FOOT	3082	3082	
* 78000600	THERMOPLASTIC PAVEMENT MARKING - LINE 12"	FOOT	224	224	
* 78000650	THERMOPLASTIC PAVEMENT MARKING - LINE 24"	FOOT	26	26	
* 78100100	RAISED REFLECTIVE PAVEMENT MARKER	EACH	34	34	
* 78200300	PRISMATIC CURB REFLECTOR	EACH	24	24	
X3560140	BITUMINOUS CONCRETE BASE COURSE WIDENING, SUPERPAVE 10 INCH	SQ YD	135	135	△
X4066426	<del>POLYMERIZED BITUMINOUS CONCRETE SURFACE COURSE, SUPERPAVE, MIX "D", N 70</del>	TON	167	167	△
* X7800100	PAINT PAVEMENT MARKING - RAISED MEDIAN	SQ FT	219	219	
* X7800200	PAINT PAVEMENT MARKING CURB	FOOT	124	124	

\*SPECIALTY ITEMS

Rev. 4-11-06

F.A.P. RTE.	SECTION	COUNTY	TOTAL SHEETS	SHEET NO.
592	1211-1	ST. CLAIR	16	4
STA.	TO STA.			
FED. ROAD DIST. NO.	ILLINOIS	FED. AID PROJECT		

RESURFACING SCHEDULE

LOCATION	BIT. MAT'L PRIME COAT (TON)	AGGREGATE PRIME COAT (TON)	SURFACE COURSE (TON)	PAVED SHOULDER REMOVAL (SQ YD)	BITUMINOUS SURFACE (VARIABLE DEPTH) (SQ YD)	BITUMINOUS BASE COURSE WIDENING 10" (SQ YD)	AGGREGATE BASE COURSE TYPE B (SQ YD)	BITUMINOUS SHOULDER 8" (SQ YD)	STRIP REFLECTIVE SURFACE CRACK CONTROL TREATMENT (FOOT)	TEMPORARY RAMPS (SQ YD)
IL 157										
276+15.58 TO 277+50.21	0.07	0.36	20.41	44.88	265.52			45		8.33
277+50.21 TO 277+96.45	0.04	0.17	9.36	15.41	111.44			18		
277+96.45 TO 278+32.40	0.03	0.15	8.61	11.98	62.47	7.98	27.68	12	203.95	
278+32.40 TO 278+58.61	0.02	0.09	5.09	8.74	45.84	5.82	27.11	7	26.21	
278+58.61 TO 279+11.27	0.04	0.2	11.07	17.55	90.98	17.4	55.39	18	52.66	
279+11.27 TO 279+65.11	0.05	0.22	12.3	17.95	87.68	28.23	110	18	53.84	
279+65.11 TO 279+82.74	0.02	0.1	5.37	5.88	53.93	12.01	218.75	6	17.63	
279+82.74 TO 280+94.37	0.10	0.45	25.18	37.21	196.72	63.5	27.03	37	258.89	19.78
280+94.37 TO 281+30.00	0.02	0.12	6.47		54.28					34.66
281+30.00 TO 284+00.00	0.17	0.82	45.79		496.21				92.16	
284+00.00 TO 285+03.88	0.06	0.31	17.48		161.04				32.92	7.55
TOTAL =	0.7	3	167	160	1627	135	466	161	739	71

MEDIAN SCHEDULE

LOCATION	PAVEMENT REMOVAL (SQ YD)	SUB-BASE GRANULAR MATERIAL TYPE A 4" (SQ YD)	P. C. C. BASE COURSE WIDENING 10" (SQ YD)	COMBINATION CURB & GUTTER (FOOT)	CONCRETE MEDIAN SURFACE 4" (SQ FT)	CONCRETE MEDIAN (SQ FT)	MEDIAN REMOVAL (SQ FT)
277+96.45 TO 279+65.11	188.00		91.73	231.15	473.05	107.00	
279+82.74 TO 281+30.00	217.30		87.36	235.95	693.87	102.00	
281+96.56 TO 282+17.59		11.50	11.50				103.64
282+72.84 TO 282+94.47		12.24	12.24				109.88
283+48.79 TO 283+96.29		25.35	25.33				233.70
284+62.35 TO 285+03.88		17.80	17.80				204.33
TOTALS	406	67	247	468	1167	252	652

PAVEMENT MARKING

LOCATION	THERMOPLASTIC PAVEMENT MARKING										RAISED REFLECTIVE PAVEMENT MARKERS	PRISMATIC CURB REFLECTORS	PAINT PAVEMENT MARKING-RAISED MEDIAN	PAINT PAVEMENT MARKING CURB
	4"		12"	24"	LETTERS & SYMBOLS	ONE WAY CRYSTAL	ONEWAY AMBER							
	SOLID YELLOW EDGE LINE	SOLID WHITE LANE LINE	SOLID WHITE EDGE LINE	SOLID WHITE DASHED	SOLID DOUBLE YELLOW LINE MEDIAN	SOLID YELLOW DIAGONAL	RAILROAD GRADE-CROSSING	RIGHT TURN ARROW	EACH	EACH	EACH	SO FT	FOOT	
IL 157														
276+16 TO 276+50			34	22										
276+50 TO 277+00			50	26										
277+00 TO 277+50			50	26	77	1			2					
277+50 TO 278+00			50	26	200	7			4					
278+00 TO 278+50			50		136	6			2					
278+50 TO 279+00	100		50						2		30.5	8.5		
279+00 TO 279+50	100	39	50					15.6	2			44		
279+50 TO 280+00	76	50	50						3		66	25		
280+00 TO 280+50	100	50	50						2			44		
280+50 TO 281+00	100	50	50					15.6	3			42		
281+00 TO 281+50	37	5	3								27.5	12		
281+50 TO 282+00			13		4									
282+00 TO 282+50			50		100	41								
282+50 TO 283+00			50		200	38			2					
283+00 TO 283+50			50		200	25	13	61.2	2					
283+50 TO 284+00			50		200	31	13		2					
284+00 TO 284+50			50		200	38			2					
284+50 TO 285+00			50		180	37			4					
285+00 TO 285+04			4											
SUB-TOTALS	513	194	804	74	1497	224	26	92.4	10	24	24	124	219	
TOTALS			3082			224	26	93	34		24	124	219	

EROSION CONTROL SCHEDULE

LOCATION	TEMP. EROSION CONTROL SEEDING (lb)	SEEDING CL 2 (ac)	NITROGEN FERTILIZER (lb)	PHOSPHORUS FERTILIZER (lb)	POTASSIUM FERTILIZER (lb)	MULCH METHOD 2 (ac)
276+15 TO 276+50	1.06	0.01	0.21	0.21	0.21	0.01
276+50 TO 277+00	1.13	0.01	0.23	0.23	0.23	0.01
277+00 TO 277+50	1.90	0.01	0.38	0.38	0.38	0.01
277+50 TO 278+00	2.00	0.01	0.40	0.40	0.40	0.01
278+00 TO 278+50	0.71	0.01	0.14	0.14	0.14	0.01
278+50 TO 279+00	0.69	0.01	0.14	0.14	0.14	0.01
279+00 TO 279+50	0.54	0.01	0.11	0.11	0.11	0.01
279+50 TO 280+00	0.37	0.01	0.07	0.07	0.07	0.01
280+00 TO 280+50	0.43	0.01	0.09	0.09	0.09	0.01
280+50 TO 281+00	0.49	0.01	0.10	0.10	0.10	0.01
TOTAL =	10	0.10	2*	2*	2*	0.10

\* SEE GENERAL NOTE #19 ON SHEET NO. 2

EARTHWORK SCHEDULE

LOCATION	UNADJUSTED EXCAVATION (CU YD)	EARTH EXCAVATION ADJUSTED FOR 25% SHINKAGE (CU YD)	EMBANKMENT (CU YD)	EARTHWORK BALANCE WASTE (+) OR SHORTAGE (-) (CU YD)
276+15.58 TO 276+50.00	0.0	0.0	0.3	-0.3
276+50.00 TO 277+00.00	1.9	1.4	0.4	1.0
277+00.00 TO 277+50.00	6.6	5.0	0.0	5.0
277+50.00 TO 278+00.00	16.4	12.3	0.0	12.3
278+00.00 TO 278+50.00	23.2	17.4	0.1	17.3
278+50.00 TO 279+00.00	26.3	19.7	0.2	19.5
279+00.00 TO 279+50.00	32.3	24.2	0.1	24.1
279+50.00 TO 280+00.00	36.6	27.5	0.0	27.5
280+00.00 TO 280+50.00	38.4	28.8	0.0	28.8
280+50.00 TO 281+00.00	36.7	27.5	0.1	27.4
281+00.00 TO 281+30.00	12.7	9.5	0.0	9.5
SUB-TOTAL	232	174	2	173

REVISIONS	NAME	DATE

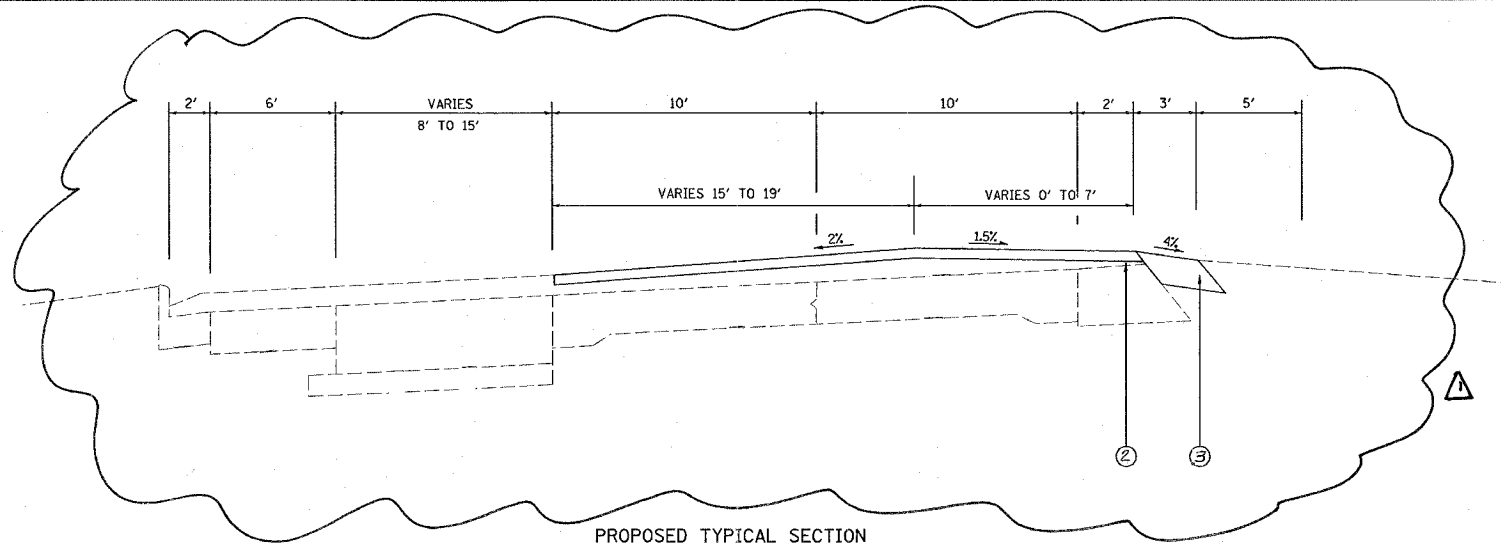
ILLINOIS DEPARTMENT OF TRANSPORTATION  
SCHEDULES  
FAP ROUTE 592  
SECTION 1211-1  
ST. CLAIR COUNTY

SCALE: VERT.  
HORIZ.  
DATE

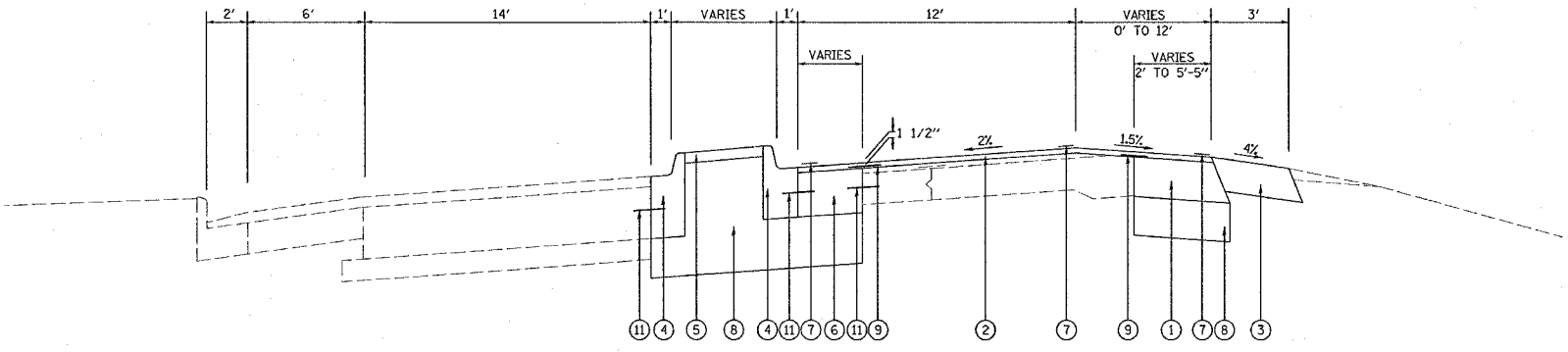
DRAWN BY  
CHECKED BY

Rev. 4-11-06

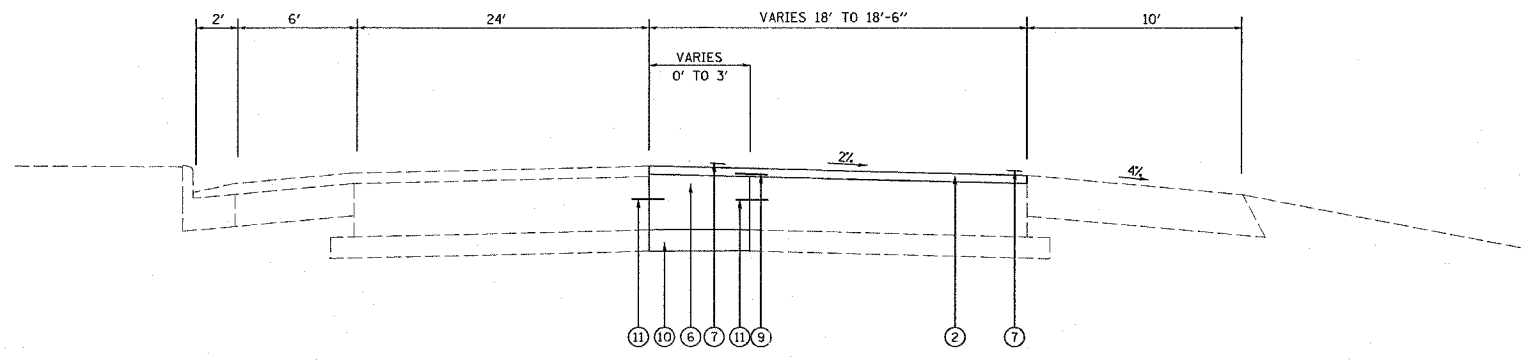
F.A.P. RTE.	SECTION	COUNTY	TOTAL SHEETS	SHEET NO.
592	1211-1	ST. CLAIR	16	6
STA.	TO STA.			
FED. ROAD DIST. NO.	ILLINOIS	FED. AID PROJECT		



PROPOSED TYPICAL SECTION  
STA. 276+15.60 TO STA. 277+96.50



PROPOSED TYPICAL SECTION  
STA. 277+96.50 TO STA. 281+28.00



PROPOSED TYPICAL SECTION  
STA. 281+28.00 TO STA. 285+03.88

LEGEND

- ① PROPOSED BITUMINOUS BASE COURSE WIDENING, 10"
- ② PROPOSED BITUMINOUS SURFACE COURSE 1 1/2"
- ③ PROPOSED BITUMINOUS SHOULDER, 8"
- ④ PROPOSED COMBINATION CONCRETE CURB AND GUTTER, TYPE B-6.12
- ⑤ PROPOSED CONCRETE MEDIAN SURFACE, 4"
- ⑥ PROPOSED P.C.C. BASE COURSE, 10"
- ⑦ PROPOSED THERMOPLASTIC PAVEMENT MARKING, 4"
- ⑧ PROPOSED AGGREGATE BASE COURSE, TYPE B\*
- ⑨ PROPOSED STRIP REFLECTIVE CRACK CONTROL TREATMENT
- ⑩ PROPOSED SUB-BASE GRANULAR MATERIAL TYPE B
- ⑪ PROPOSED #20 TIE BARS, 36" @ 15" CENTERS

\* AGGREGATE BASE COURSE SHALL BE 12" MINIMUM DEPTH

REVISIONS	
NAME	DATE

ILLINOIS DEPARTMENT OF TRANSPORTATION  
**TYPICAL SECTIONS**  
FAP ROUTE 592 (IL 157)  
SECTION 1211-1  
ST. CLAIR COUNTY

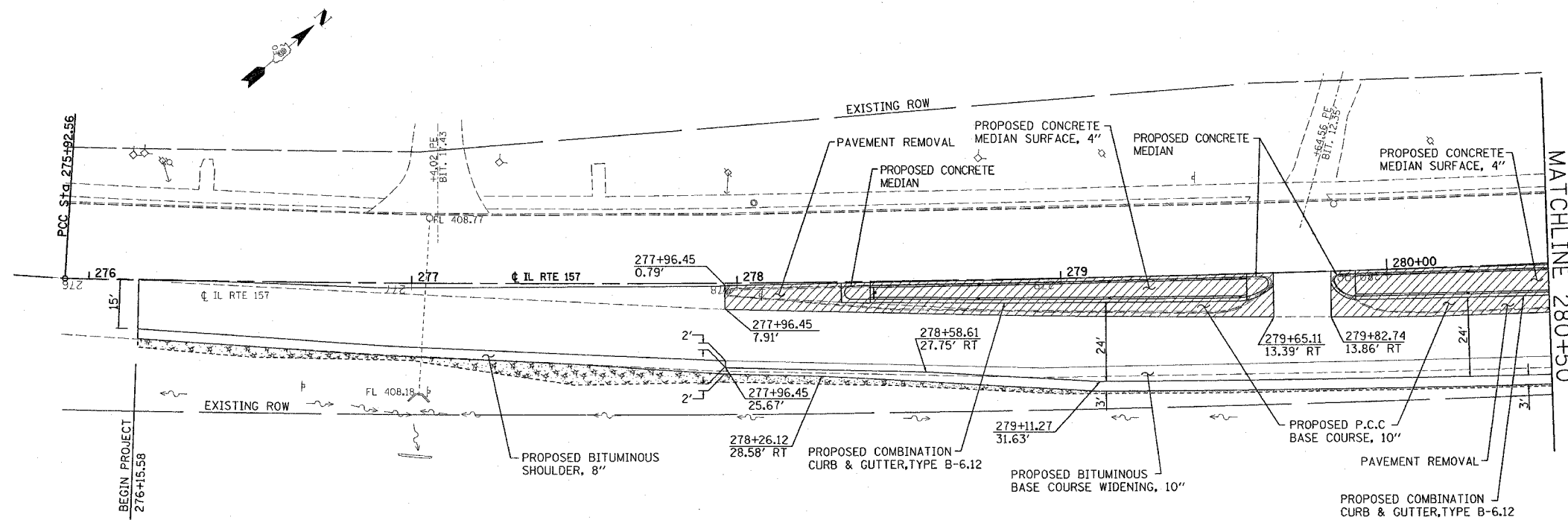
SCALE: VERT. \_\_\_\_\_  
HORIZ. \_\_\_\_\_

DATE \_\_\_\_\_ DRAWN BY \_\_\_\_\_  
CHECKED BY \_\_\_\_\_

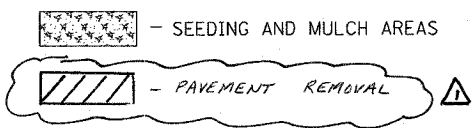
PLOT DATE = 3/14/2006  
FILE NAME = c:\pwork\592\1211-1\1211-1.dgn  
SCALE = 1/4" = 1'-0"  
REFERENCE = MREF\*

Rev. 4-11-06

F.A.P. RTE.	SECTION	COUNTY	TOTAL SHEETS	SHEET NO.
592	1211-1	ST. CLAIR	16	7
STA. 276+15.58		TO STA. 250+80		
FED. ROAD DIST. NO.		ILLINOIS FED. AID PROJECT		



PROP. CURVE 157-2  
 PI STA. = 278+70.25  
 $\Delta = 4^\circ 23' 30''$  (LT)  
 $D = 0^\circ 47' 28''$   
 $R = 7,242.01'$   
 $T = 277.69'$   
 $L = 555.10'$   
 $E = 5.32'$   
 $\theta =$  -----  
 $T.R. =$  -----  
 $S.E. RUN =$  -----  
 $P.C. STA = 275+92.56$   
 $P.T. STA = 281+47.67$



REVISIONS		ILLINOIS DEPARTMENT OF TRANSPORTATION	
NAME	DATE		

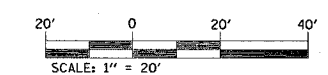
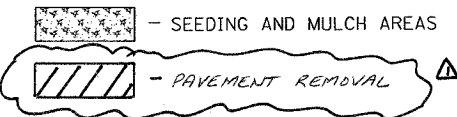
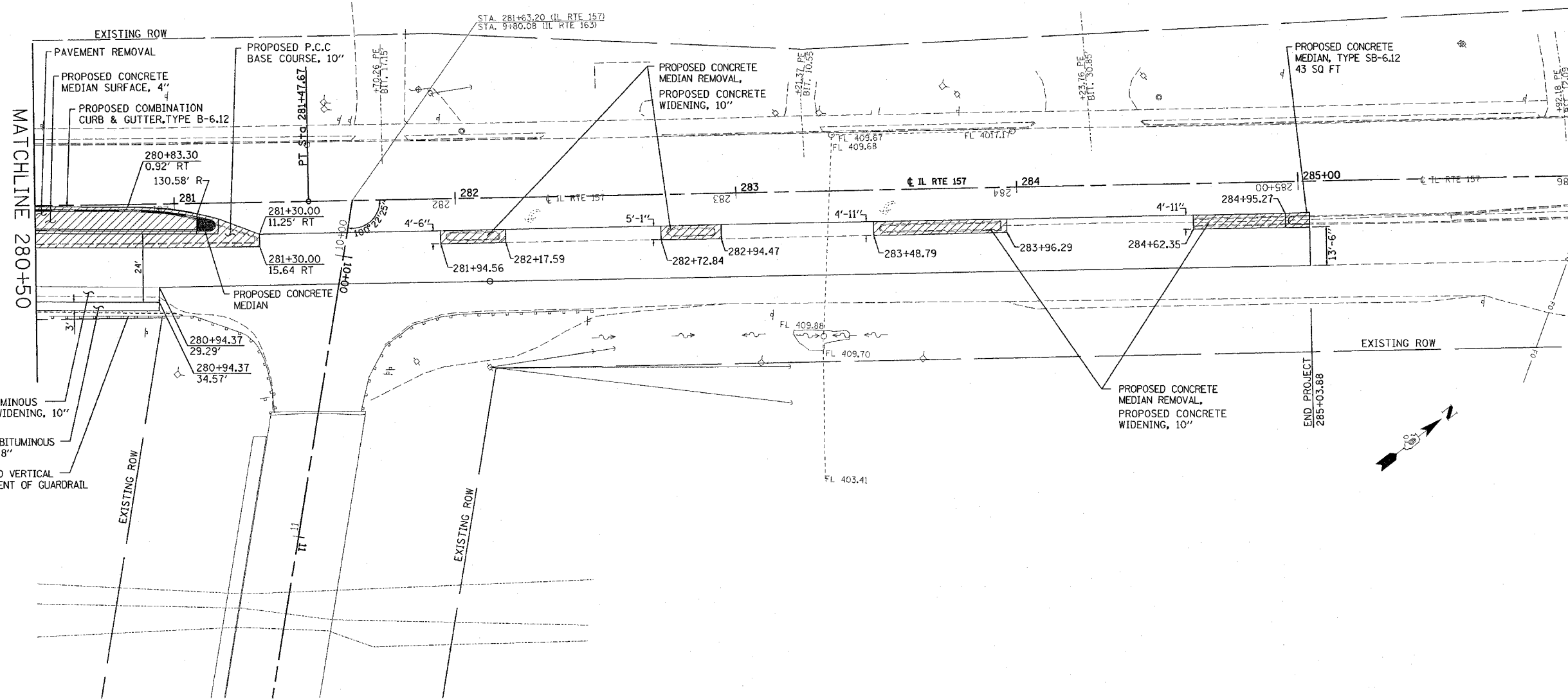
**PLAN VIEW**  
 FAP ROUTE 592  
 SECTION 1211-1  
 ST. CLAIR COUNTY

SCALE: VERT. \_\_\_\_\_  
 HORIZ. \_\_\_\_\_  
 DATE \_\_\_\_\_ DRAWN BY \_\_\_\_\_  
 CHECKED BY \_\_\_\_\_

Rev. 4-11-06

PLOT DATE = 2/9/2006  
 PLOT SCALE = 20,000 / IN.  
 USER NAME = bmgnd

F.A.P. RTE.	SECTION	COUNTY	TOTAL SHEETS	SHEET NO.
592	1211-1	ST. CLAIR	16	8
STA. 280+50		TO STA. 285+03.88		
FED. ROAD DIST. NO.		ILLINOIS FED. AID PROJECT		



REVISIONS	
NAME	DATE

ILLINOIS DEPARTMENT OF TRANSPORTATION  
**PLAN VIEW**  
 FAP ROUTE 592  
 SECTION 1211-1  
 ST. CLAIR COUNTY

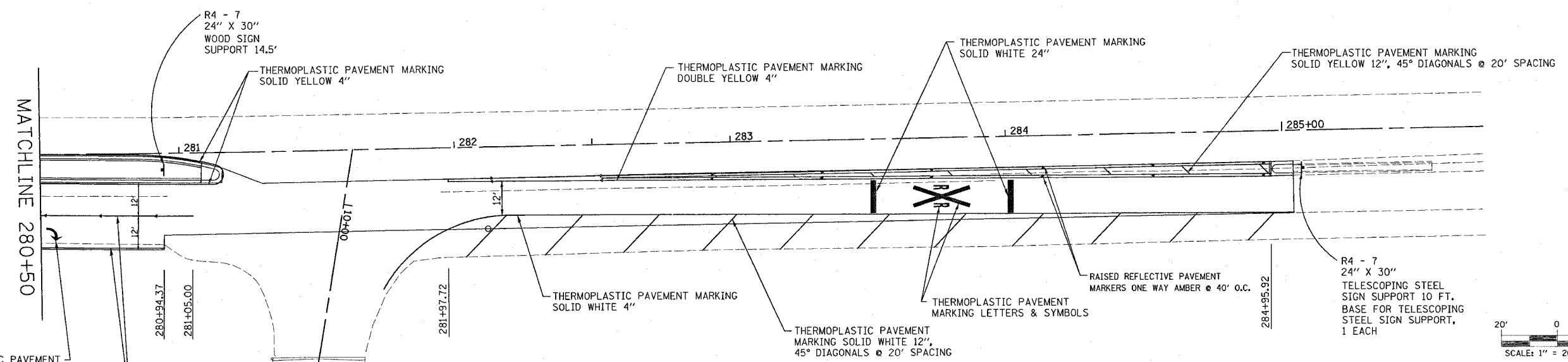
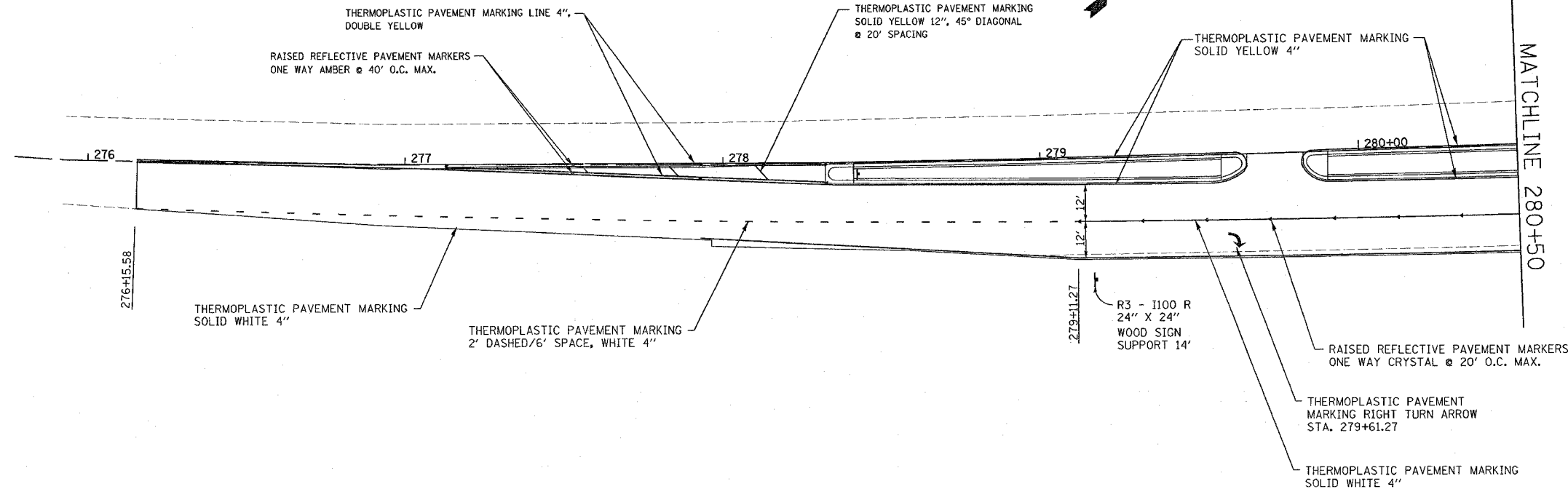
SCALE: VERT. \_\_\_\_\_  
 HORIZ. \_\_\_\_\_  
 DATE \_\_\_\_\_

DRAWN BY \_\_\_\_\_  
 CHECKED BY \_\_\_\_\_

PLOT DATE = 2/1/2006  
 FILE NAME = c:\projects\76956\plan\plan11-06.dgn  
 PLOT SCALE = 20.00000 / IN.  
 USER NAME = bergnd

△ Rev. 4-11-06

CONTRACT NO. 76956			
F.A.P. SECTION	COUNTY	TOTAL SHEETS	SHEET NO.
592 121-1	ST. CLAIR	16	9
STA. 276+15.58 TO STA. 280+50			
FED. ROAD DIST. NO. ILLINOIS FED. AID PROJECT			



REVISIONS	
NAME	DATE

ILLINOIS DEPARTMENT OF TRANSPORTATION  
**PAVEMENT MARKING**  
 FAP ROUTE 592  
 SECTION 121-1  
 ST. CLAIR COUNTY  
 SCALE: VERT. HORIZ.  
 DATE:                      DRAWN BY:                      CHECKED BY:

PLOT DATE = 3/14/2006  
 PLOT SCALE = 20.0000  
 USER NAME = dntalman.jn

Rev. 4-11-06