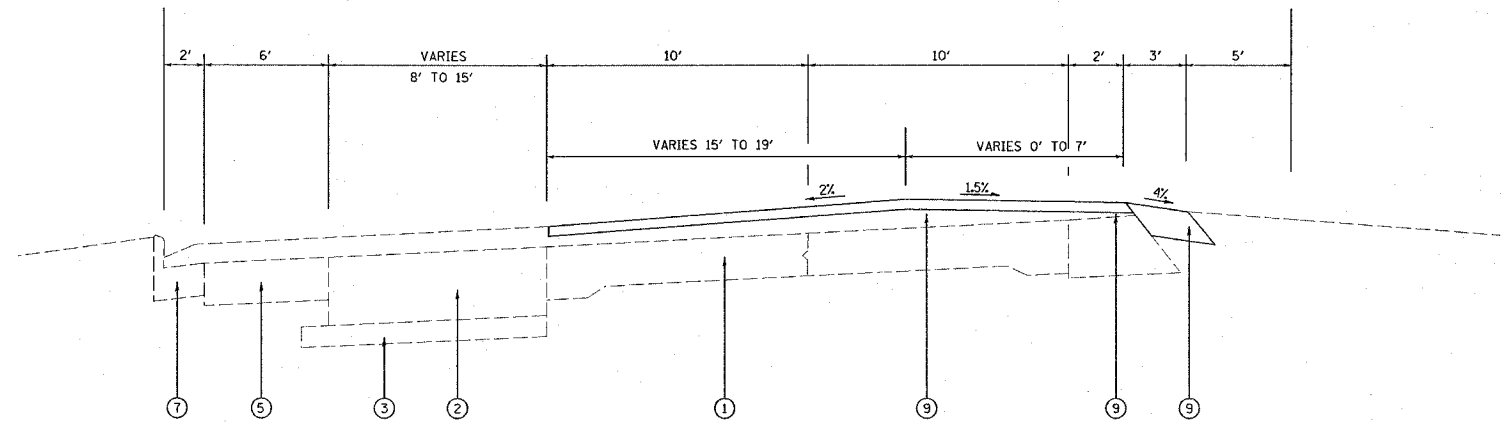
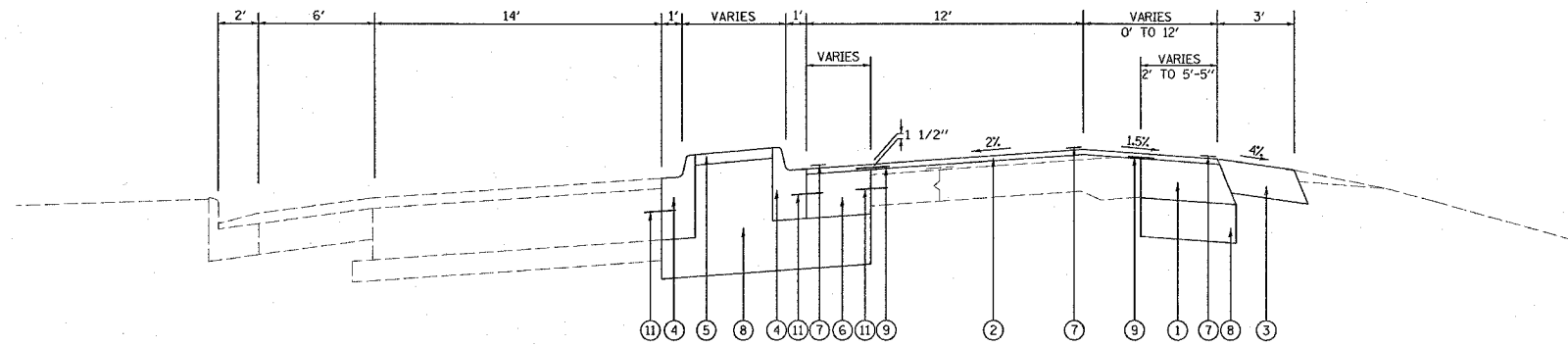


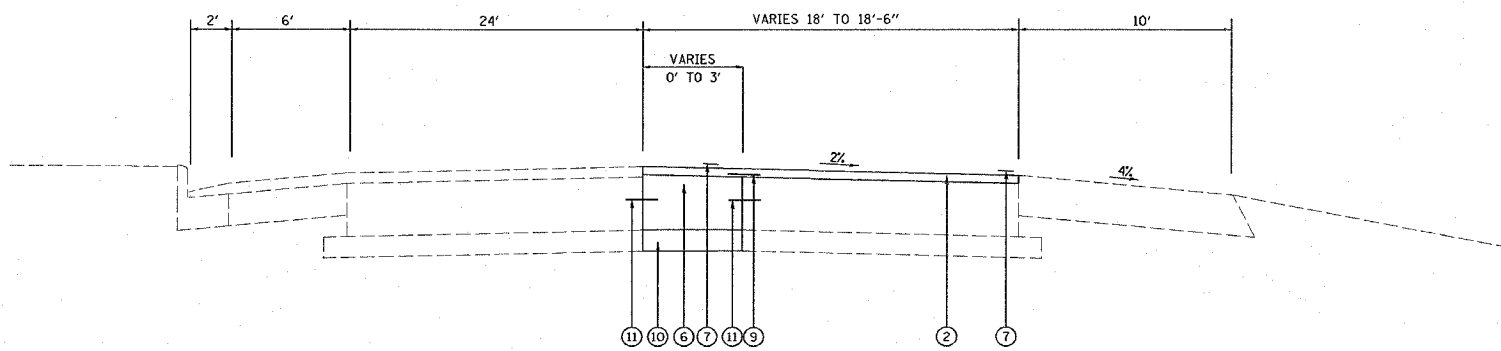
F.A.P. RTE.	SECTION	COUNTY	TOTAL SHEETS	SHEET NO.
592	1211-1	ST. CLAIR	16	6
STA.		TO STA.		
FED. ROAD DIST. NO.		ILLINOIS FED. AID PROJECT		



PROPOSED TYPICAL SECTION
STA. 276+15.6 TO STA. 277+96.5



PROPOSED TYPICAL SECTION
STA. 278+10.00 TO STA. 281+28.00



PROPOSED TYPICAL SECTION
STA. 281+28.00 TO STA. 285+03.88

LEGEND

- ① PROPOSED BITUMINOUS BASE COURSE WIDENING, 10"
- ② PROPOSED BITUMINOUS SURFACE COURSE 1 1/2"
- ③ PROPOSED BITUMINOUS SHOULDER, 8"
- ④ PROPOSED COMBINATION CONCRETE CURB AND GUTTER, TYPE B-6.12
- ⑤ PROPOSED CONCRETE MEDIAN SURFACE, 4"
- ⑥ PROPOSED P.C.C. BASE COURSE, 10" WIDENING
- ⑦ PROPOSED THERMOPLASTIC PAVEMENT MARKING, 4"
- ⑧ PROPOSED AGGREGATE BASE COURSE, TYPE B*
- ⑨ PROPOSED STRIP REFLECTIVE CRACK CONTROL TREATMENT
- ⑩ PROPOSED SUB-BASE GRANULAR MATERIAL TYPE B
- ⑪ PROPOSED #20 TIE BARS, 36" @ 15" CENTERS

* AGGREGATE BASE COURSE SHALL BE 12" MINIMUM DEPTH

REVISIONS	
NAME	DATE

ILLINOIS DEPARTMENT OF TRANSPORTATION
TYPICAL SECTIONS
FAP ROUTE 592 (IL 157)
SECTION 1211-1
ST. CLAIR COUNTY

SCALE: VERT. _____
HORIZ. _____
DATE _____

DRAWN BY _____
CHECKED BY _____

PLOT DATE = 2/9/2006
FILE NAME = c:\p\projects\76956\plan\in\91765adgn
PLOT SCALE = 50,0000' / IN.
REFERENCE = #REF#

Rev.