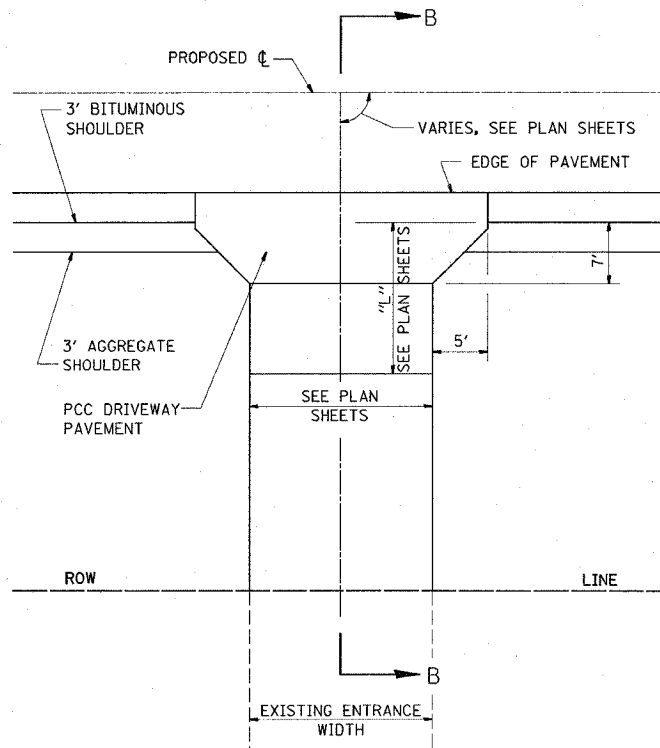
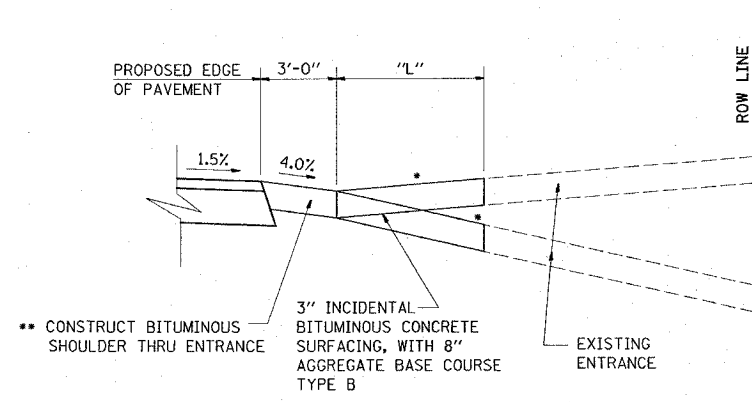


F.A.P. RTE.	SECTION	COUNTY	TOTAL SHEETS	SHEET NO.
789	125-R	MADISON	47	33
STA.		TO STA.		
FED. ROAD DIST. NO.	ILLINOIS	FED. AID PROJECT		

PLANNED BY	DATE
CHECKED BY	
DESIGNED BY	
NOTED BY	
NO.	



PE DETAIL B
PRIVATE ENTRANCE ADJACENT TO COMBINATION BITUMINOUS AND AGGREGATE SHOULDERS



•• CONSTRUCT BITUMINOUS SHOULDER THRU ENTRANCE

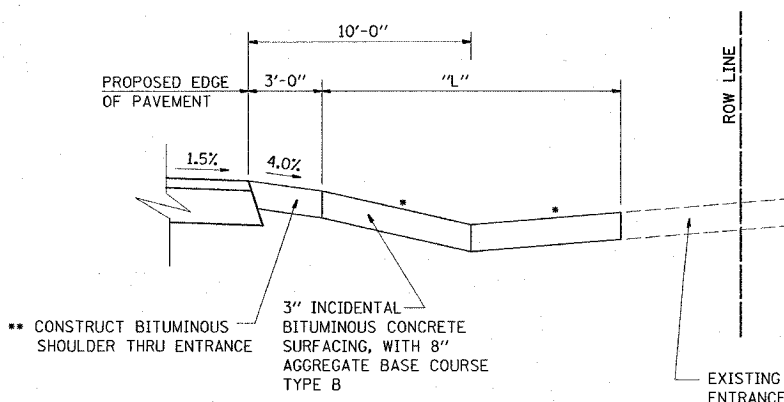
3" INCIDENTAL BITUMINOUS CONCRETE SURFACING, WITH 8" AGGREGATE BASE COURSE TYPE B

EXISTING ENTRANCE

SECTION B-B

- SEE CROSS SECTIONS FOR SLOPE
- OMIT AT CONCRETE ENTRANCES
- SEE PLANS FOR EXISTING SURFACE TYPE

PE DETAIL B
PRIVATE ENTRANCE ADJACENT TO COMBINATION BITUMINOUS AND AGGREGATE SHOULDERS



•• CONSTRUCT BITUMINOUS SHOULDER THRU ENTRANCE

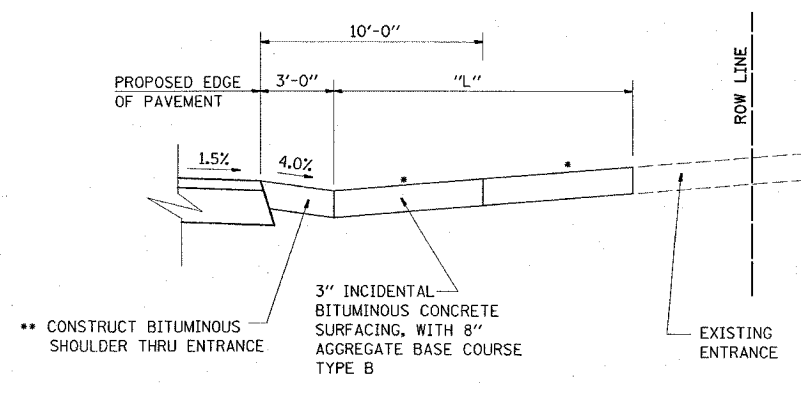
3" INCIDENTAL BITUMINOUS CONCRETE SURFACING, WITH 8" AGGREGATE BASE COURSE TYPE B

EXISTING ENTRANCE

SECTION B-B

- SEE CROSS SECTIONS FOR SLOPE
- OMIT AT CONCRETE ENTRANCES
- SEE PLANS FOR EXISTING SURFACE TYPE

PE DETAIL B
PRIVATE ENTRANCE ADJACENT TO COMBINATION BITUMINOUS AND AGGREGATE SHOULDERS



•• CONSTRUCT BITUMINOUS SHOULDER THRU ENTRANCE

3" INCIDENTAL BITUMINOUS CONCRETE SURFACING, WITH 8" AGGREGATE BASE COURSE TYPE B

EXISTING ENTRANCE

SECTION B-B

- SEE CROSS SECTIONS FOR SLOPE
- OMIT AT CONCRETE ENTRANCES
- SEE PLANS FOR EXISTING SURFACE TYPE

AT ENTRANCES WITH PROPOSED PIPE CULVERTS

REVISIONS	
NAME	DATE

ILLINOIS DEPARTMENT OF TRANSPORTATION

ENTRANCE DETAILS

FAP ROUTE 789
SECTION 125-R
MADISON COUNTY

DRAWN BY: