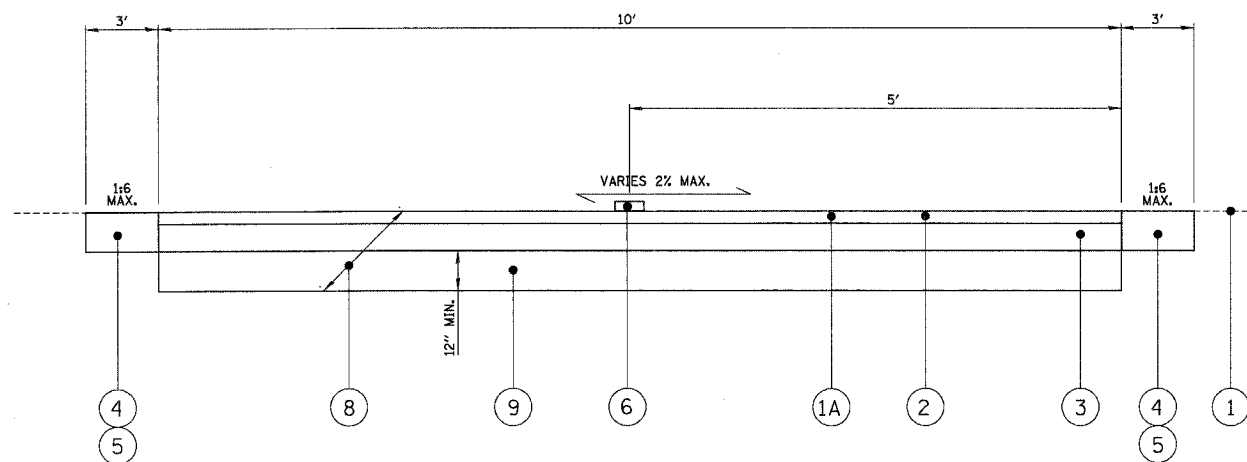


F.A.U. RTE.	SECTION	COUNTY	TOTAL SHEETS	SHEET NO.
--	00-P4003-00-BT	WILL	57	4
STA.		TO STA.		
FED. ROAD DIST. NO. 1		ILLINOIS FED. AID PROJECT		

CONTRACT NO. 83532

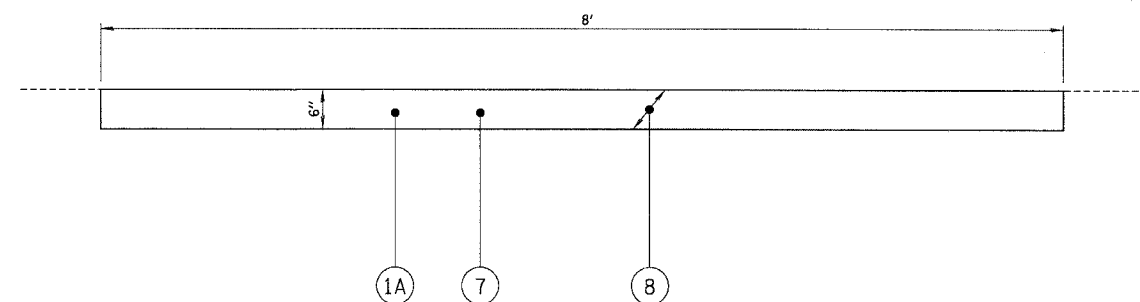
**LEGEND:**

- ① EXISTING GRADE
- ①A EXISTING PATH
- ② PROPOSED BITUMINOUS CONCRETE SURFACE COURSE, SUPERPAVE, MIXTURE C, N50, 2"
- ③ PROPOSED AGGREGATE BASE COURSE TYPE B, 8"
- ④ PROPOSED TOPSOIL EXCAVATION AND PLACEMENT, 4"
- ⑤ PROPOSED HYDRO SEEDING W/MULCH, METHOD 2
- ⑥ PROPOSED THERMOPLASTIC PAVEMENT MARKING-LINE 4"
- ⑦ PROPOSED WOOD CHIPS 6"
- ⑧ REMOVAL AND DISPOSAL OF UNSUITABLE MATERIAL
- ⑨ PROPOSED POROUS GRANULAR EMBANKMENT, SUBGRADE



**EXISTING AND PROPOSED BIKE PATH TYPICAL CROSS SECTION**

STA. 10+00 TO STA. 45+40.09  
 STA. 63+52.52 TO STA. 74+38.38  
 STA. 80+36.26 TO STA. 82+55.80  
 STA. 90+00 TO STA. 91+30.87  
 STA. 95+00 TO STA. 96+59.25



**EXISTING AND PROPOSED WALKING PATH TYPICAL CROSS SECTION**

STA. 100+00 TO STA. 111+39.86  
 STA. 120+00 TO STA. 131+70.99  
 STA. 140+00 TO STA. 144+09.66  
 STA. 150+00 TO STA. 151+42.62  
 STA. 160+00 TO STA. 160+62.72  
 STA. 170+00 TO STA. 172+12.17

**SOILS NOTE:**

POROUS GRANULAR EMBANKMENT SUBGRADE (PGES) HAS BEEN PROVIDED AT THE LOCATIONS INDICATED FOR SOILS WHICH TEND TO BE UNSTABLE WHEN WET. ACTUAL NEED FOR REMOVAL AND REPLACEMENT WITH PGE WILL BE DETERMINED IN THE FIELD AT THE TIME OF CONSTRUCTION BY THE ENGINEER (BY USE OF A CONE PENETROMETER IN CONJUNCTION WITH THE IDOT SUBGRADE MANUAL). IF UNSUITABLE SOILS ARE ENCOUNTERED THE SOILS SHALL BE REMOVED AND REPLACED WITH PGE AND GROUND FABRIC FOR GROUND STABILIZATION. IF UNSUITABLE SOILS ARE NOT ENCOUNTERED, THEN THE QUANTITY WILL BE DEDUCTED AND NO ADDITIONAL COMPENSATION WILL BE DUE TO THE CONTRACTOR.

BITUMINOUS MIXTURE REQUIREMENTS			
ITEM	AC-TYPE	VOIDS	RAP %
BITUMINOUS CONCRETE SURFACE COURSE, SUPERPAVE, MIXTURE C, N50	PG 64-22	4%±50 G YR	15

THE UNIT WEIGHT USE TO CALCULATE ALL BITUMINOUS SURFACE MIXTURE QUANTITIES IS 112 LBS/SY/IN.

REVISIONS NAME	DATE
STRUCTURE REVISIONS	7/5/02

ILLINOIS DEPARTMENT OF TRANSPORTATION

**TYPICAL SECTIONS**

SCALE: VERT. N.T.S.  
 HORIZ. N.T.S.  
 DATE 2/1/2006

DRAWN BY JOC  
 CHECKED BY LMF

M:\lockport\1801-25\DESIGN\80125-dpw.txd