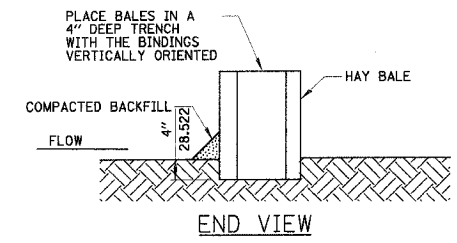
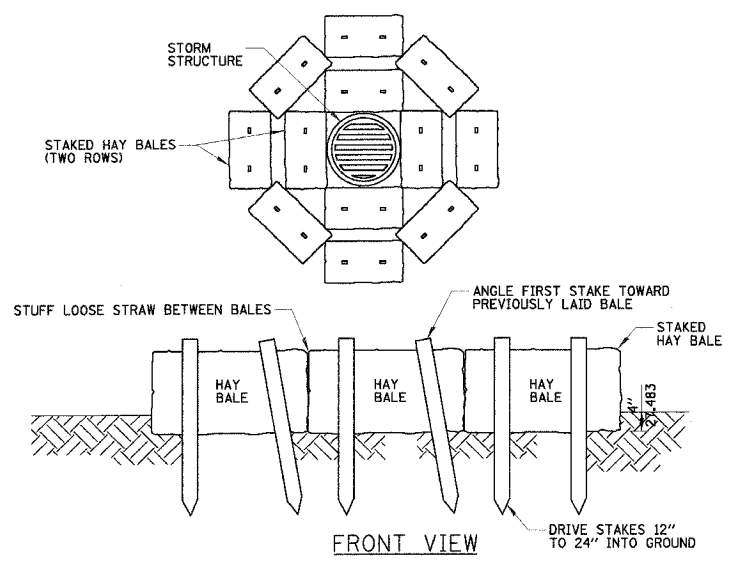


F.A.U. RTE.	SECTION	COUNTY	TOTAL SHEETS	SHEET NO.
--	00-P4003-00-BT	WILL	57	19
STA. ---	TO STA. ---			
FED. ROAD DIST. NO. 1		ILLINOIS	FED. AID PROJECT	

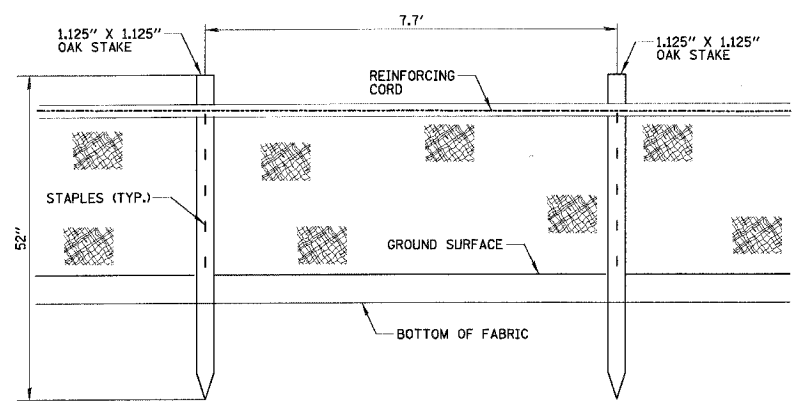
CONTRACT NO. 83532



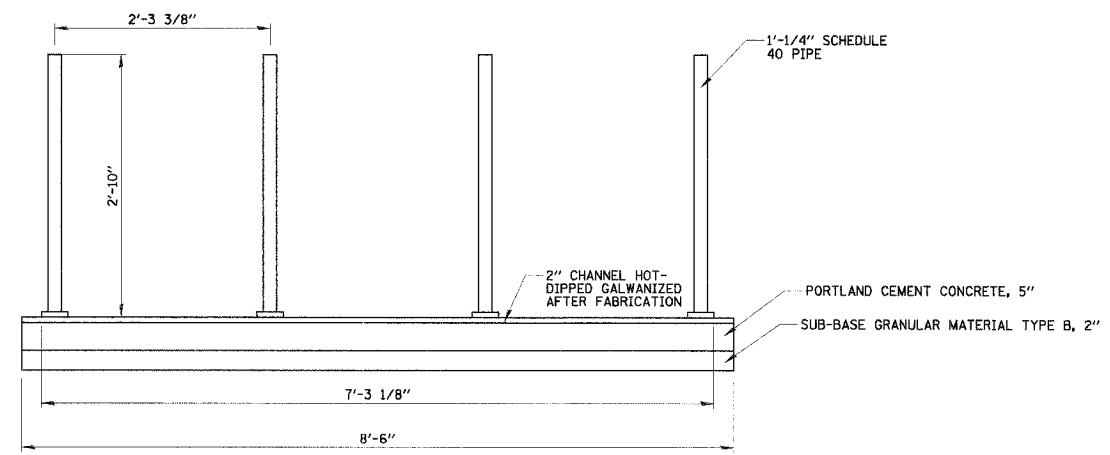
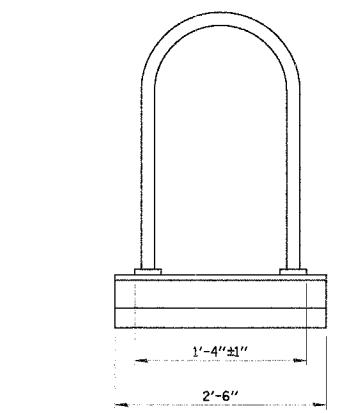
GENERAL NOTES

1. STAKED HAY BALES SHALL BE MAINTAINED UNTIL THE AREA TRIBUTARY TO STRUCTURE HAS GROWING GROUND COVER.

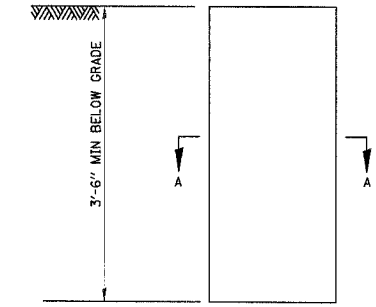
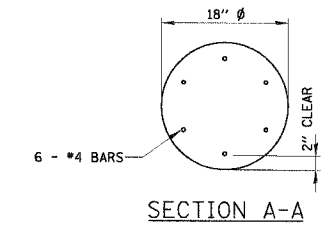
INLET AND PIPE PROTECTION
N.T.S.



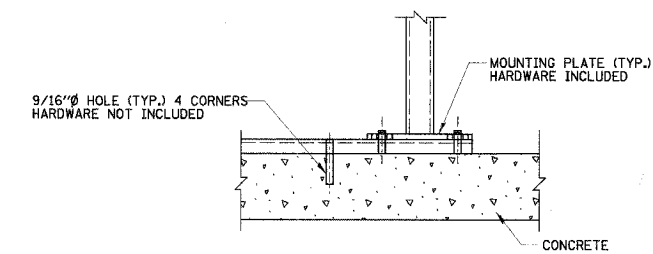
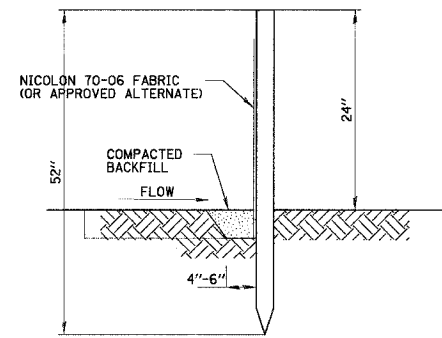
PERIMETER EROSION BARRIER
N.T.S.



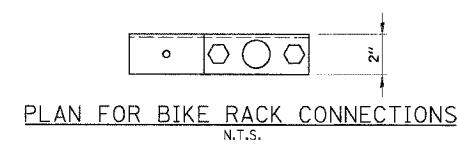
BIKE RACK
N.T.S.



CONCRETE FOOTING DETAIL FOR PODS
N.T.S.



SECTION
N.T.S.



REVISIONS NAME	DATE
STRUCTURE REVISIONS	7/5/02

ILLINOIS DEPARTMENT OF TRANSPORTATION

CONSTRUCTION DETAILS

SCALE: VERT. N.T.S.
HORIZ. N.T.S.

DATE: 01/10/2006

DRAWN BY JOC
CHECKED BY LMF

M:\lockport\01-250\DESIGN\0105-DPW.DET