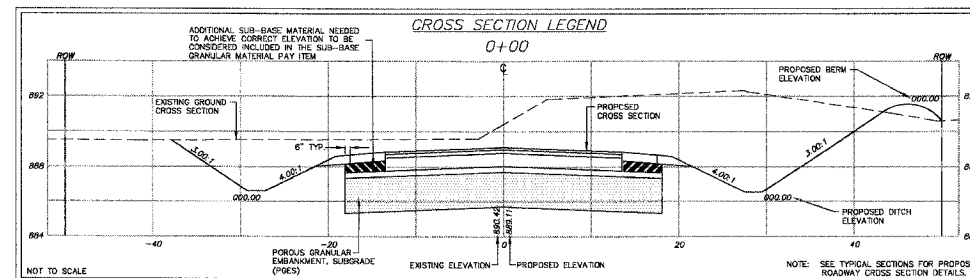
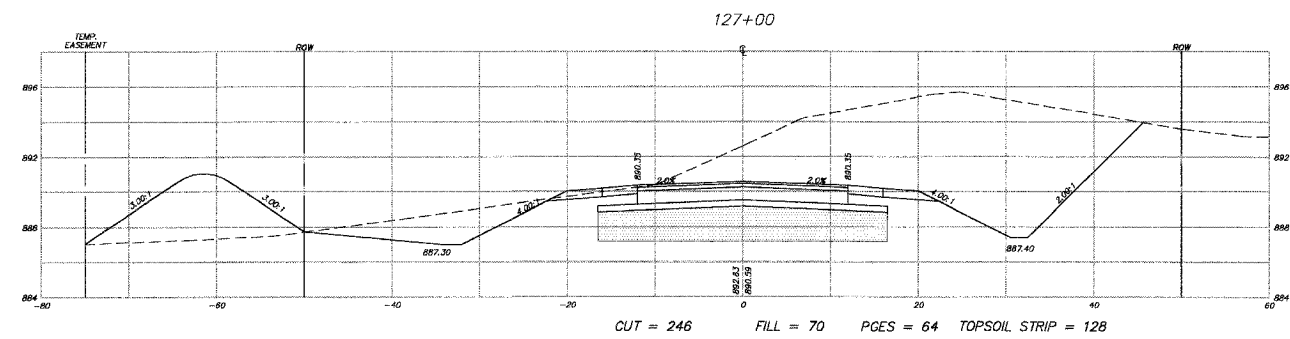
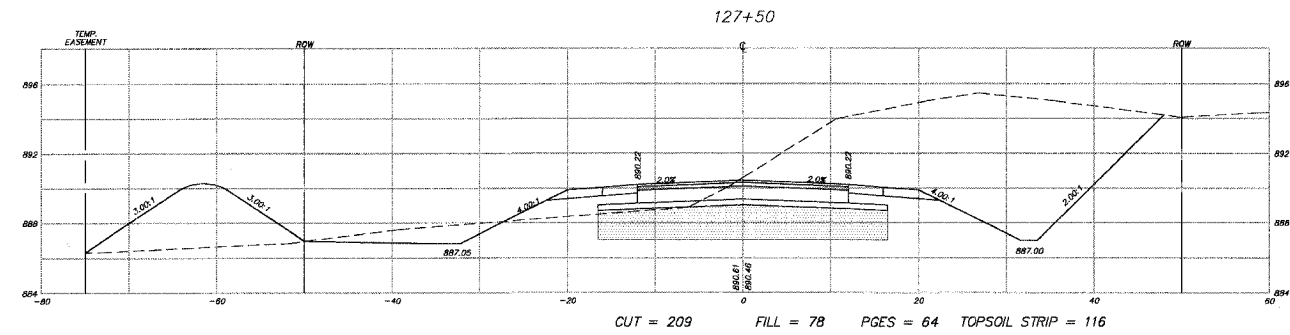
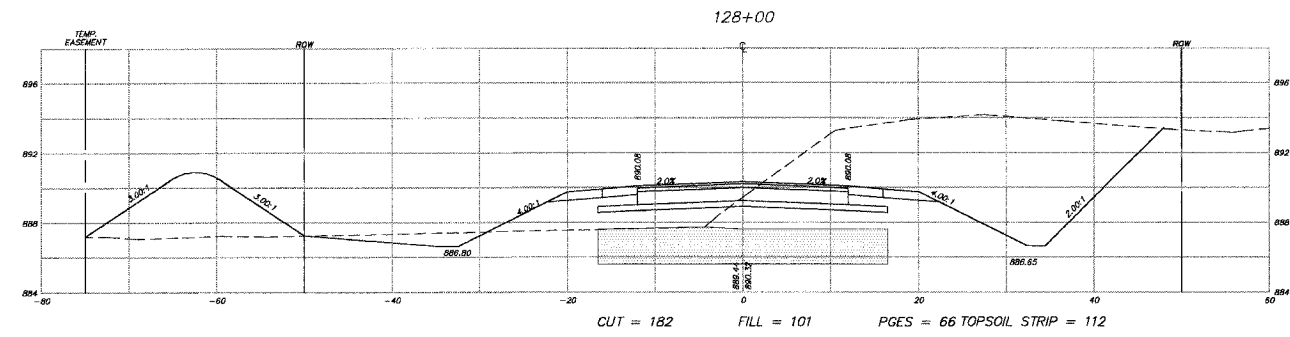
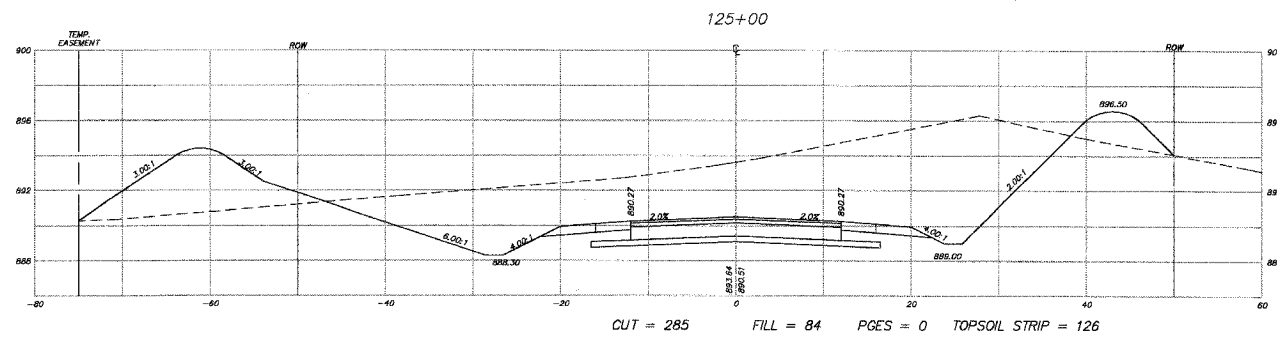
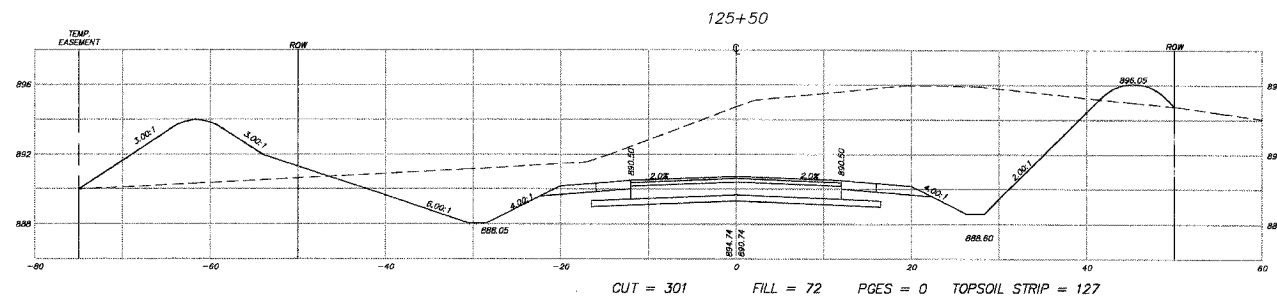
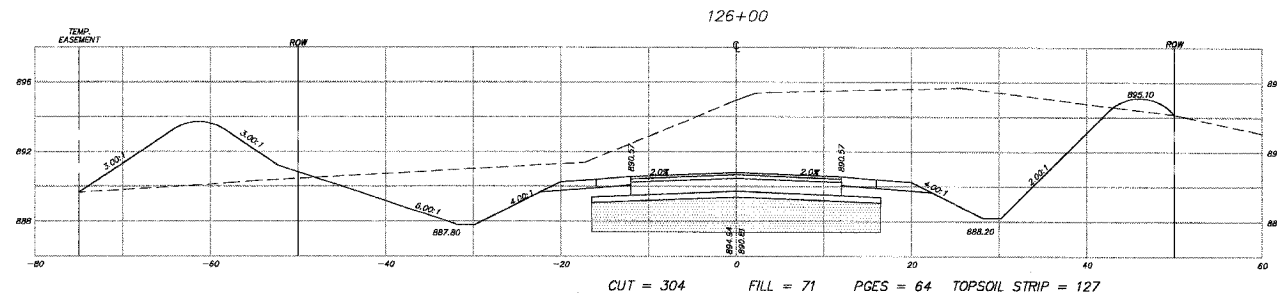
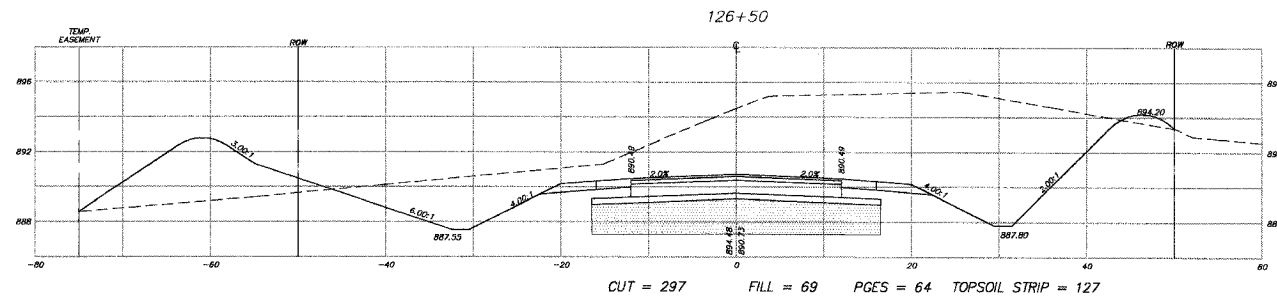


F.A.U. RTE.	SECTION	COUNTY	TOTAL SHEETS	SHEET NO.
3873	00-00243-00-FP	MCHENRY	84	67
STA.	125+00	TO STA.	128+00	
FED. ROAD DIST. NO. 1 ILLINOIS HIGHWAY PROJECT				

83840



NOTE:  
SEE THE EARTHWORK TABLE FOR A SUMMARY OF THE CUTS AND FILLS.

REVISIONS	
NAME	DATE
7.	
6.	
5.	
4.	
3.	
2.	
1.	

**SMITH ENGINEERING CONSULTANTS, INC.**  
 CIVIL/STRUCTURAL ENGINEERS AND SURVEYORS  
 4000 PRIME PARKWAY, SUITE 201  
 MCHENRY, ILLINOIS 60050  
 PHE 615-385-1776 FAX 615-385-1781  
 www.smithengineering.com E-MAIL: see@smithengineering.com  
 • MCHENRY • HUNTLEY • YORKVILLE  
 ILLINOIS PROFESSIONAL DESIGN FIRM # 184-000108

MCHENRY COUNTY DIVISION OF TRANSPORTATION  
 ACKMAN ROAD EXTENSION

CROSS SECTIONS FOR  
 ACKMAN RD

SCALE: H: 1"=10', V: 1"=5'  
 DATE 10-05-2005

DRAWN BY CJP  
 CHECKED BY TEH

PLOT FILE: 030210mchackman-newk.dwg  
 COMP. FILE: 030210mchackman-newk.dwg