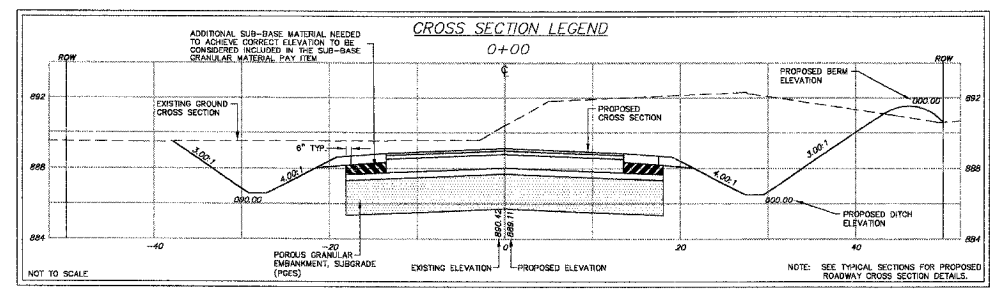
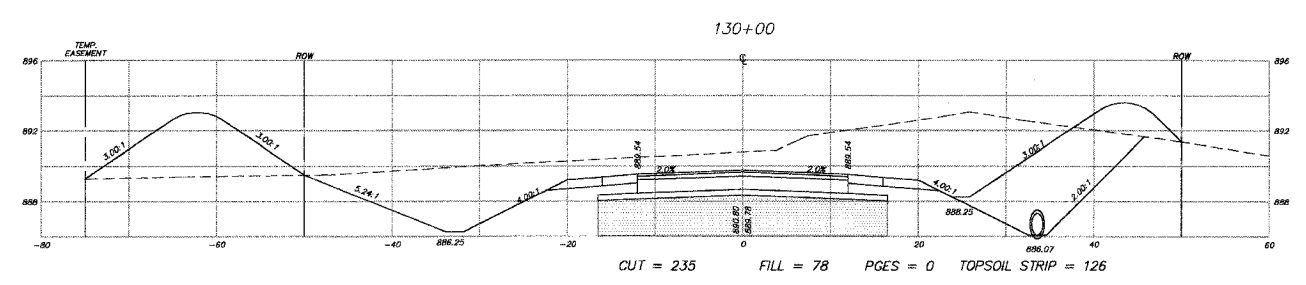
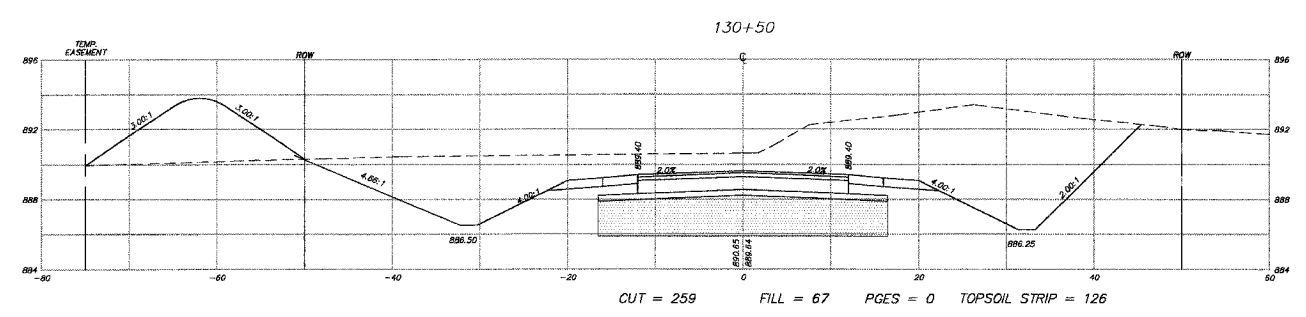
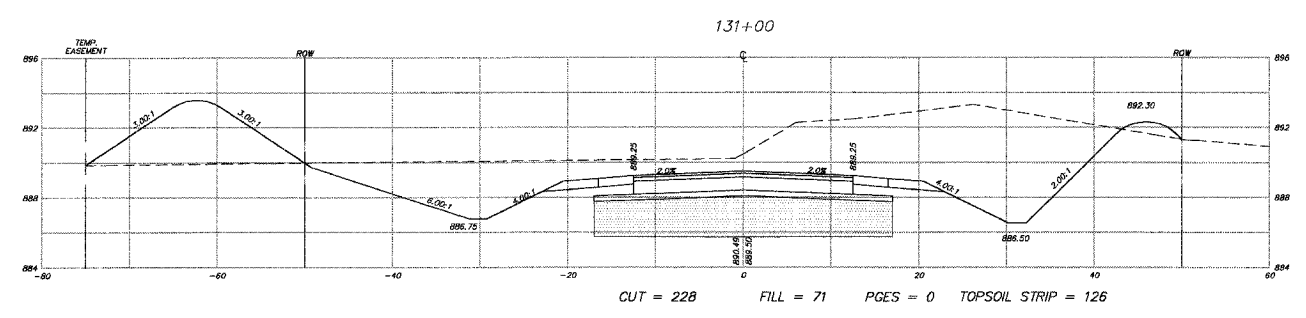
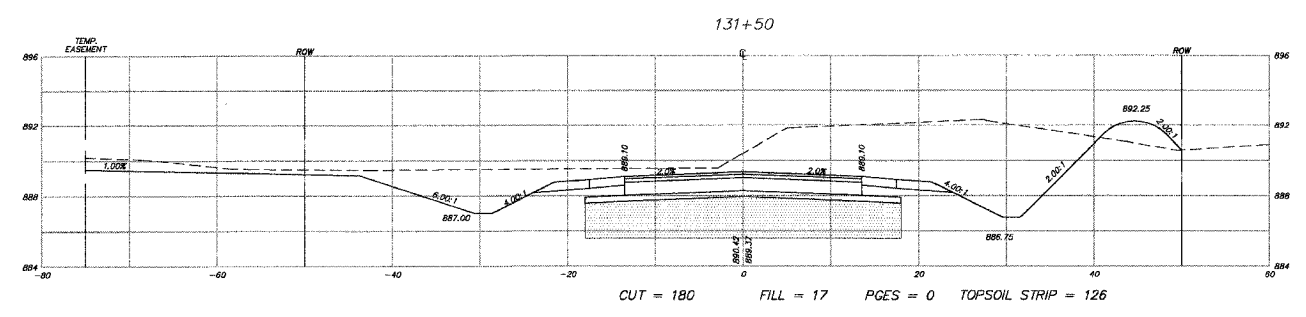
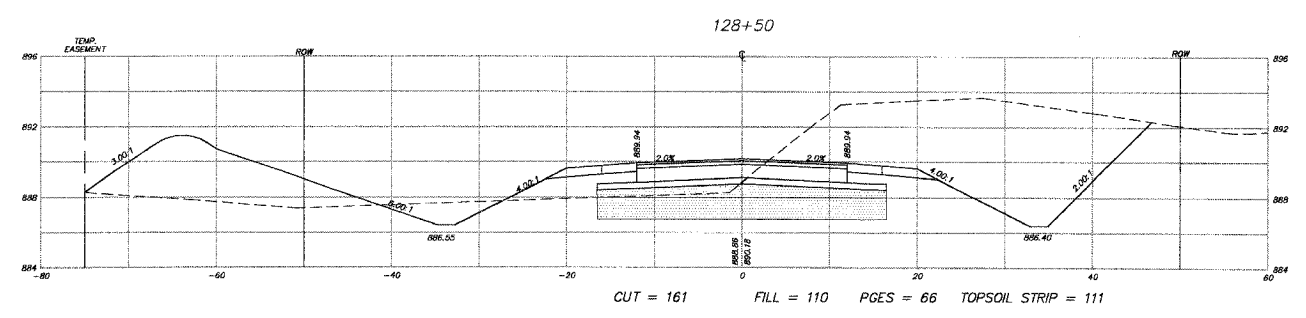
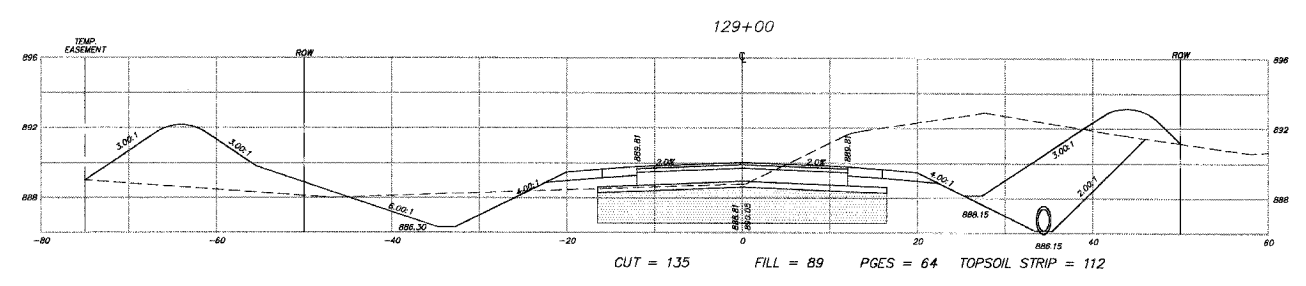
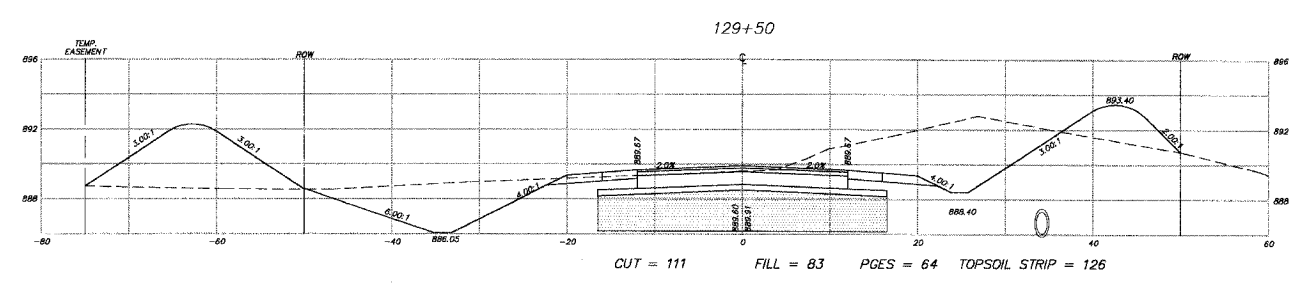
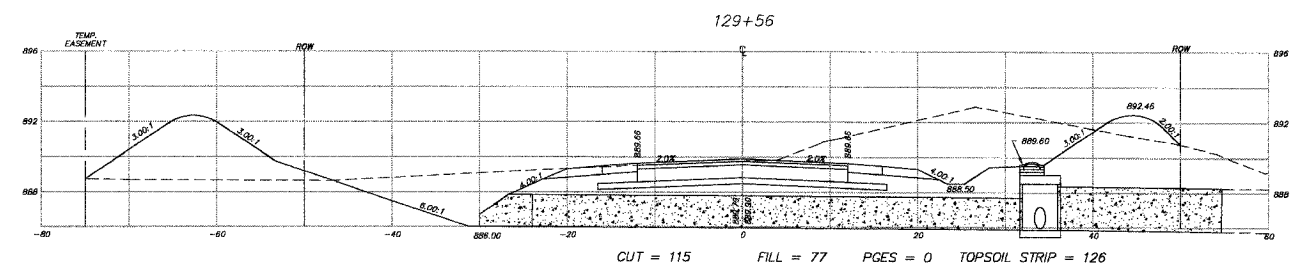


F.A.U. RTE.	SECTION	COUNTY	TOTAL SHEETS	SHEET NO.
3873 00-00243-00-FP		MCHENRY	84	68
STA.	128+50	TO STA.	131+50	
FED. ROAD DIST. NO. 1	ILLINOIS HIGHWAY PROJECT			

83840



NOTE:
SEE THE EARTHWORK TABLE FOR A
SUMMARY OF THE CUTS AND FILLS.

REVISIONS	
NAME	DATE
7.	
6.	
5.	
4.	
3.	
2.	
1.	

SMITH ENGINEERING CONSULTANTS, INC.
 CIVIL/STRUCTURAL ENGINEERS AND SURVEYORS
 4500 PRIME PARKWAY, SUITE 201
 MCHENRY, ILLINOIS 60050
 TEL: 815-385-1778 FAX: 815-385-1781
 www.smithengineering.com E-MAIL: sec@smithengineering.com
 ■ MCHENRY ■ HUNLEY ■ YORKVILLE
 ILLINOIS PROFESSIONAL DESIGN FIRM # 184-000108

McHENRY COUNTY DIVISION OF TRANSPORTATION
ACKMAN ROAD EXTENSION

CROSS SECTIONS FOR
ACKMAN RD

SCALE: H:1"=10', V:1"=5' DRAWN BY CJP
 DATE 10-05-2005 CHECKED BY TEH

PLOT FILE: 48
 CADD FILE: 03202102secA\CKMAN-02.mxd