

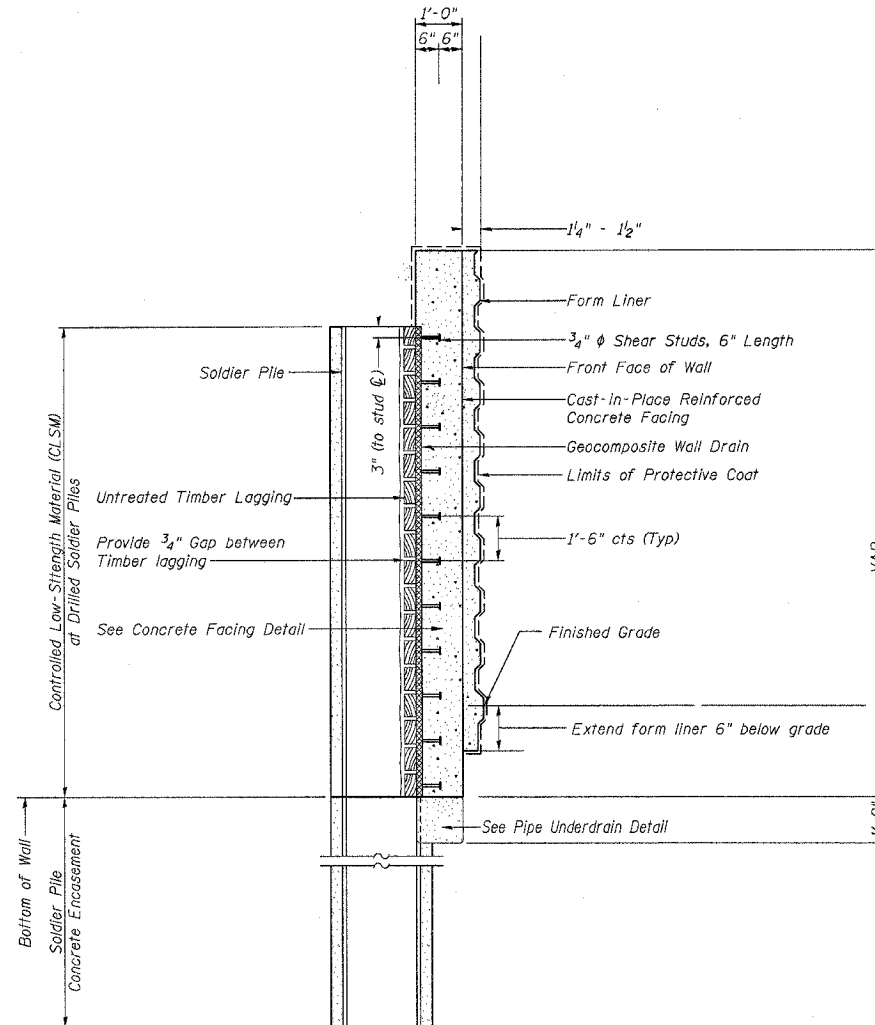
F.A. RTE.	SECTION	COUNTY	TOTAL SHEETS	SHEET NO.
	1-1	ROCK ISLAND	239	114A
STA.	76+46	TO STA.	96+00	(30TH ST.)
FED. ROAD DIST. NO.	ILLINOIS	FED. AID PROJECT		

GENERAL NOTES

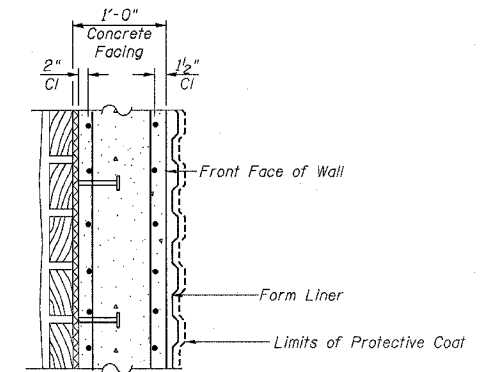
- The Contractor shall submit sample form liner and color sample to Project Implementation, (Construction Office) prior to ordering. The Construction Office will give the final approval on the liner and color to be used.
- The Contractor shall add color admixtures to the Concrete Structure to give a final color finish matching one of the following:
Socfield: #C-25, Sombrero Buff
Solomon: #750, Desert Tan
or an equivalent color from the Manufacturer's regular production line.
- All structural work performed on the retaining walls shall be completed according to structural drawings provided in the plans. Structural plans control.
- Form liners shall be used on the outside exposed vertical area of the retaining wall. The form liners shall have no reveal, extend 6" below grade, and shall simulate the appearance of a limestone facade as shown on the plans. The contractor shall prepare at the job site, a mock surface constructed of his proposed form liner for approval of the Engineer prior to ordering the quantity of form liner required to complete the project. All work and materials incorporated in the construction of the liner will not be paid for separately but shall be included in the contract unit price per cubic yard for CONCRETE STRUCTURES.

SUGGESTED SEQUENCE OF CONSTRUCTION

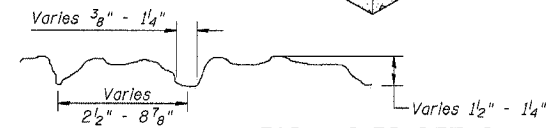
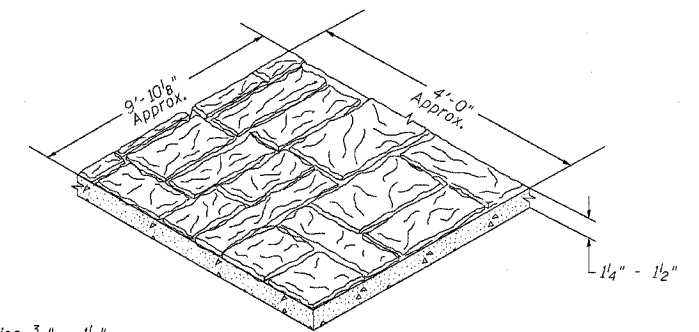
- Establish working platform and drill shaft excavation for soldier pile to tip elevation shown on the Summary Table. The side walls of the shaft excavation shall be supported as required to prevent collapse.
- Remove any loose material and excess water from shaft. If the water inflow is excessive or pumping causes side wall caving, allow water to stabilize so the the concrete can be placed by pump or tremie.
- Set soldier piles in the shaft of excavation and brace to maintain proper pile position. See Summary Table for location.
- Place Soldier Pile Encasement Concrete around soldier pile to the bottom of the Proposed Concrete Facing elevation and C.L.S.M. to the top of pile.
- After all the concrete has attained required strength, excavate in front of wall in stages. Backfill in low spots behind wall. Simultaneous to the excavation, remove the C.L.S.M. at the face of the soldier piles and remove only enough soil necessary to place each timber lagging snug against excavated surface.
- Complete untreated timber lagging placement to the depths shown on the plans.
- Attach Geocomposite Wall Drain to cover the untreated timber lagging.
- Construct Pipe Underdrain by excavating a trench, lining it with fabric, placing a pipe and aggregate such that the Geocomposite Wall Drain is connected as shown on the plans.
- Attach shear studs on soldier piles, set reinforcement, form and pour Concrete Facing.
- Complete final grading at the base and top of wall.



TYPICAL SECTION

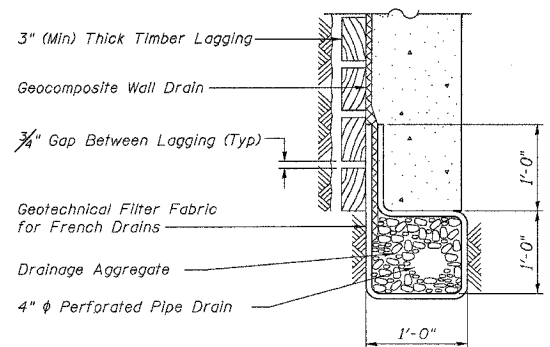


CONCRETE FACING DETAIL

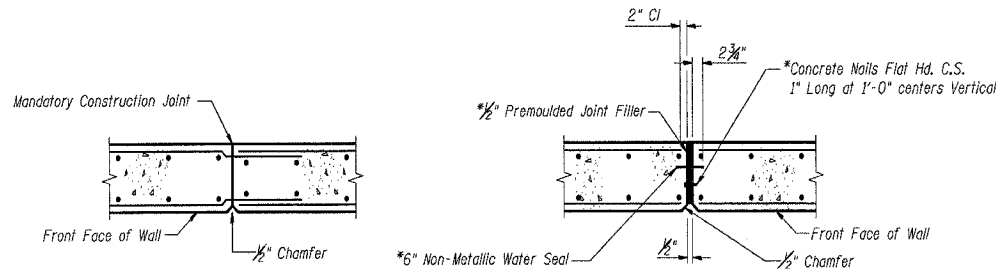


FORM LINER DETAIL

(See General Note 4)



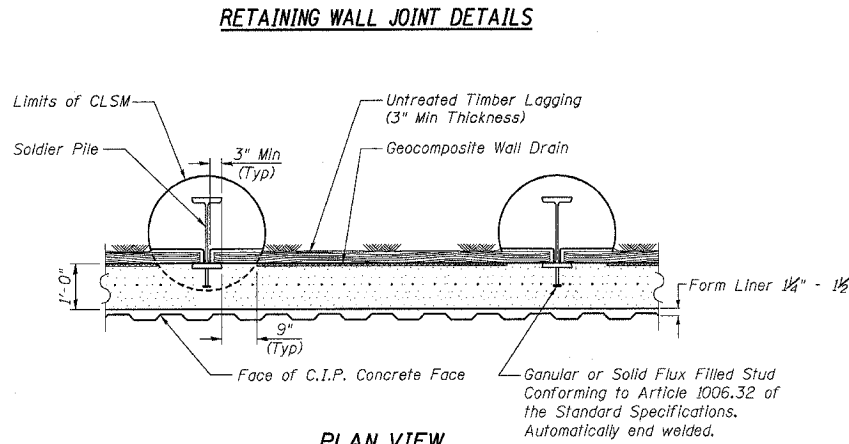
PIPE UNDERDRAIN DETAIL



CONSTRUCTION JOINT DETAIL

EXPANSION JOINT DETAIL

* Cast Included With Concrete Structures



PLAN VIEW

REVISIONS	
NAME	DATE

ILLINOIS DEPARTMENT OF TRANSPORTATION
FORM LINER DETAILS
FOR RETAINING WALLS
D, E, F

SCALE: VERT. _____
HORIZ. _____
DATE _____ DRAWN BY _____
CHECKED BY _____

FORM LINER DETAILS

PLOT DATE = Non Ver. 13 11-08-05 2005
 PLOT SCALE = 1/8" = 1'-0" (1/8" in / 1")
 USER NAME = gaudin