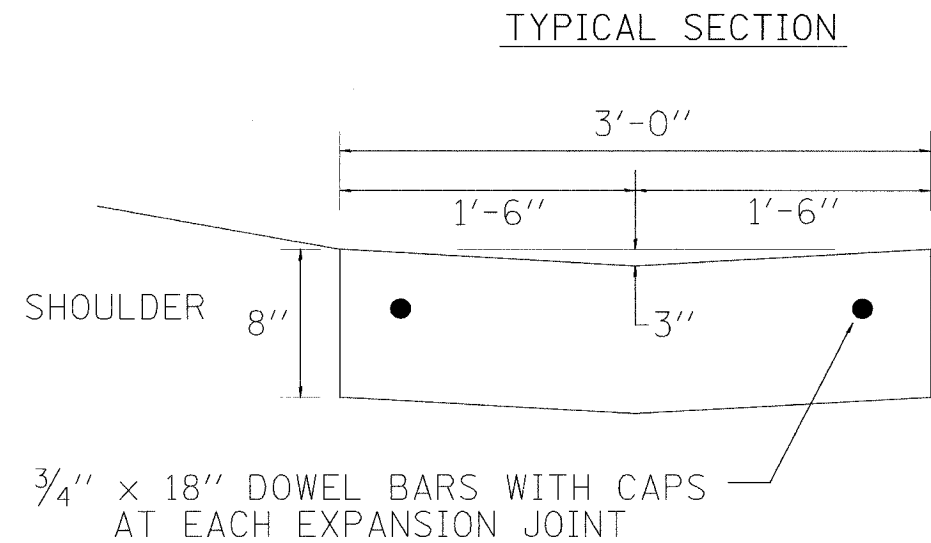


ROUTE NO.	SECTION	COUNTY	TOTAL SHEETS	SHEET NO.
S.B.L. 224	04-0013T-03-FP	HENRY	31	30
FED. ROAD DIST. NO. 7		ILLINOIS	FED. AID PROJECT SP-081107	

# CONCRETE GUTTER TYPE A, (MODIFIED)



SEE IDOT STANDARD 606101 FOR DIMENSIONS OF GUTTER OUTLET AND ENTRANCE TREATMENT. ENTRANCES AND GUTTER OUTLET TO BE PAID FOR AS CLASS SI CONCRETE (OUTLET)

NOTE:  
 CLASS SI CONCRETE SHALL BE USED THROUGHOUT. CONCRETE GUTTER TYPE A, (MODIFIED) SHALL BE CONSTRUCTED IN 100' SECTIONS WITH 3/4" PREMOLDED EXPANSION JOINTS, AND 12' CONSTRUCTION JOINTS. THE DOWEL BARS SHALL BE GREASED ON THE END ON WHICH THE CAP IS PLACED. THE COST OF FURNISHING AND INSTALLING THE JOINTS COMPLETE IN PLACE SHALL BE INCLUDED IN THE CONTRACT UNIT PRICE PER FOOT FOR CONCRETE GUTTER TYPE A, (MODIFIED)