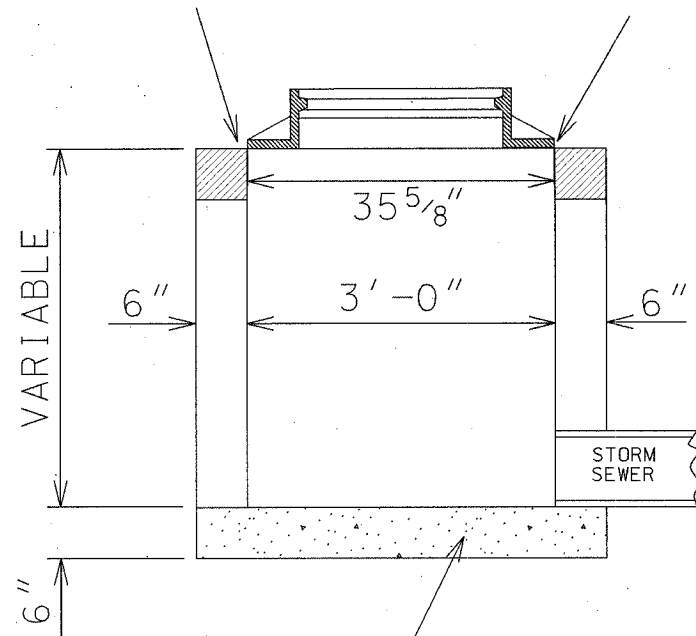


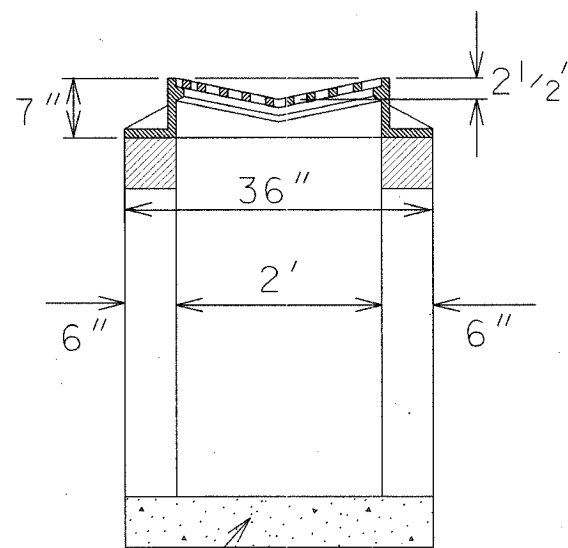
ROUTE NO.	SECTION	COUNTY	TOTAL SHEETS	SHEET NO.
P.B. 1: P.A. 224	04-00137-03-FP	HENRY	31	31
FED. ROAD DIST. NO. 7		ILLINOIS	FED. AID PROJECT NO-044107	

INLET SPECIAL WITH FRAME AND GRATE

FILL VOIDS WITH PAVING BRICK
PRIOR TO CONSTRUCTING GUTTER

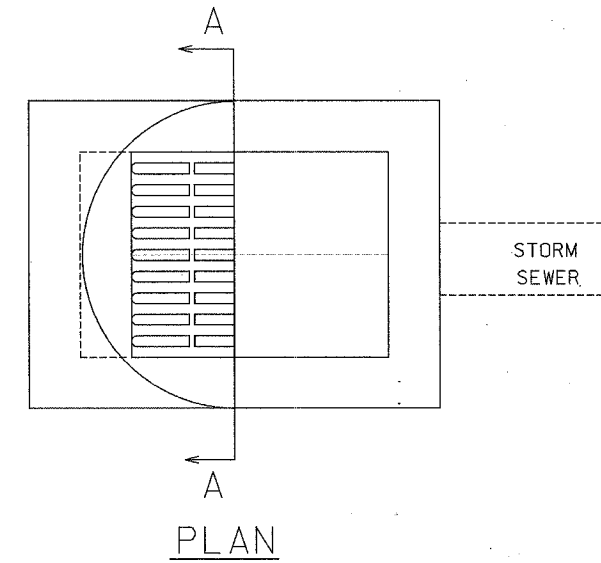


LONGITUDINAL SECTION



SECTION A-A

6" CLASS SI CONCRETE OR
4" PRECAST REINF. CONC.
SLAB ON 3" SAND CUSHION



PLAN

NOTES:

INLET SPECIAL WITH FRAME AND GRATE SHALL BE CONSTRUCTED IN ACCORDANCE WITH SECTION 602 OF THE STANDARD SPECIFICATIONS.
THE CONTRACT UNIT PRICE EACH FOR INLET SPECIAL WITH FRAME AND GRATE SHALL INCLUDE THE COST OF FURNISHING AND INSTALLING THE INLET WITH SAND CUSHION IF REQUIRED.
CLASS SI CONCRETE OR PRECAST CONCRETE SHALL BE USED THROUGHOUT.
THE SIDEWALLS MAY BE BUILT AS PRECAST SEGMENTAL SECTIONS.
THE HEIGHT OF THE BOX MAY BE CONSTRUCTED 6" SHORT TO ALLOW FOR FIELD ADJUSTMENTS.
THE WALL ADJUSTMENTS SHALL BE MADE WITH CONCRETE BUILDING BRICK OR CLASS SI CONCRETE.
FRAME AND GRATE TO BE HEAVY DUTY
(NEENAH R-3513 W/TYPE C GRATE OR APPROVED EQUAL)