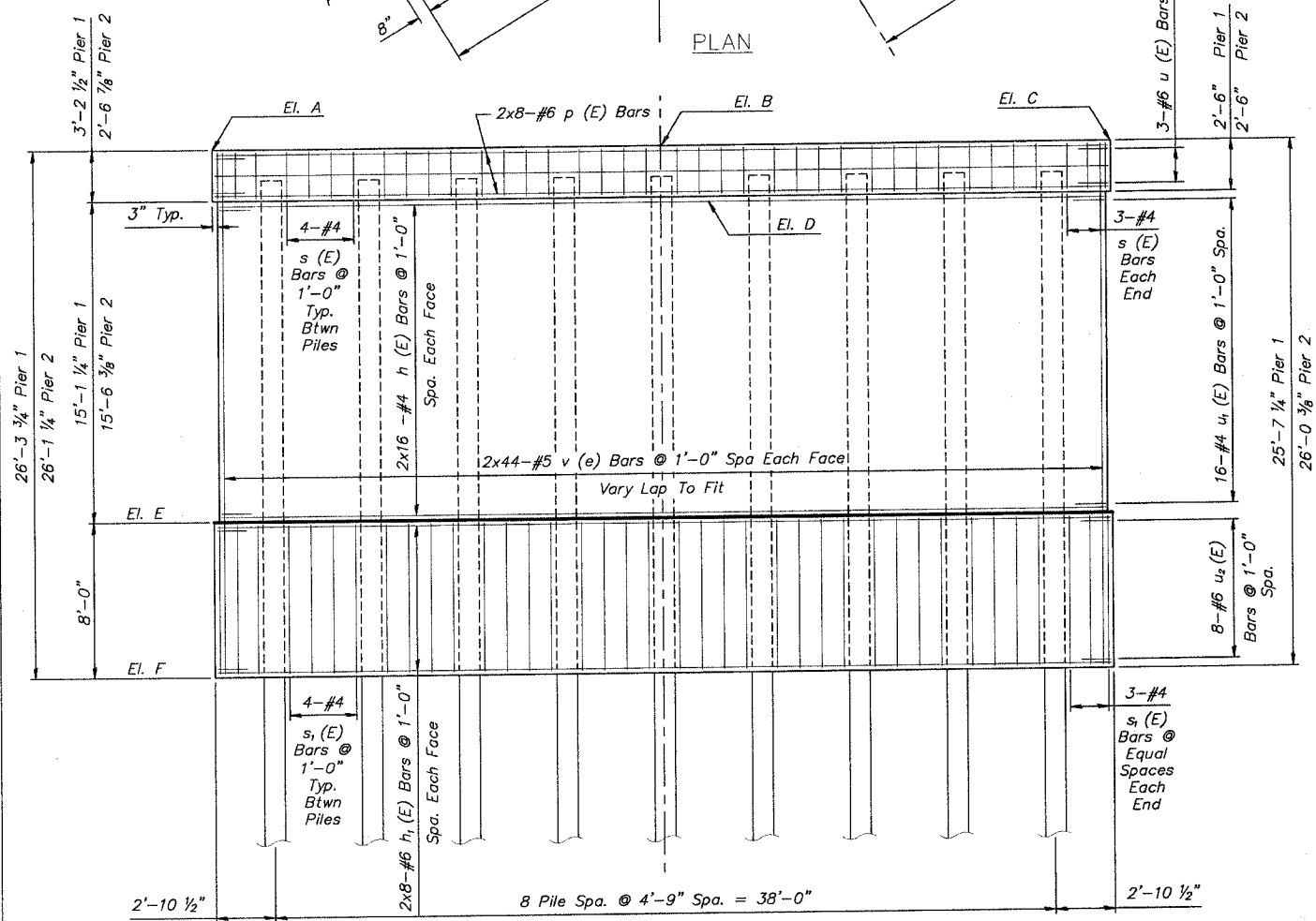
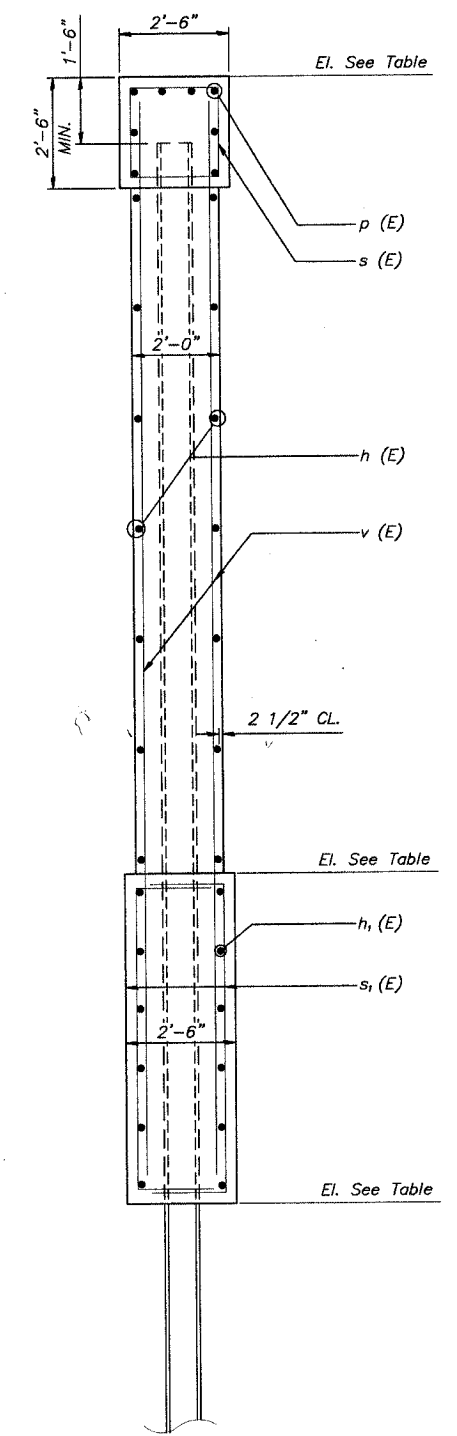
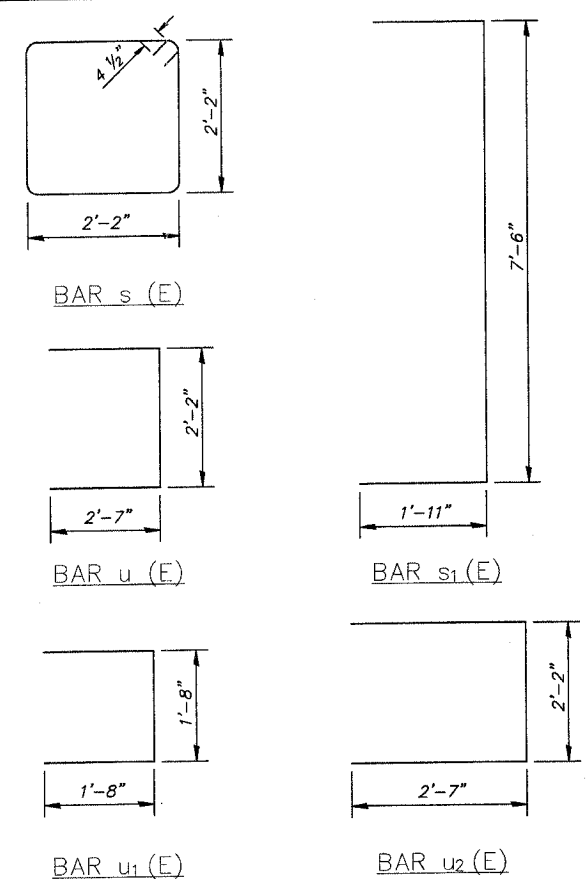
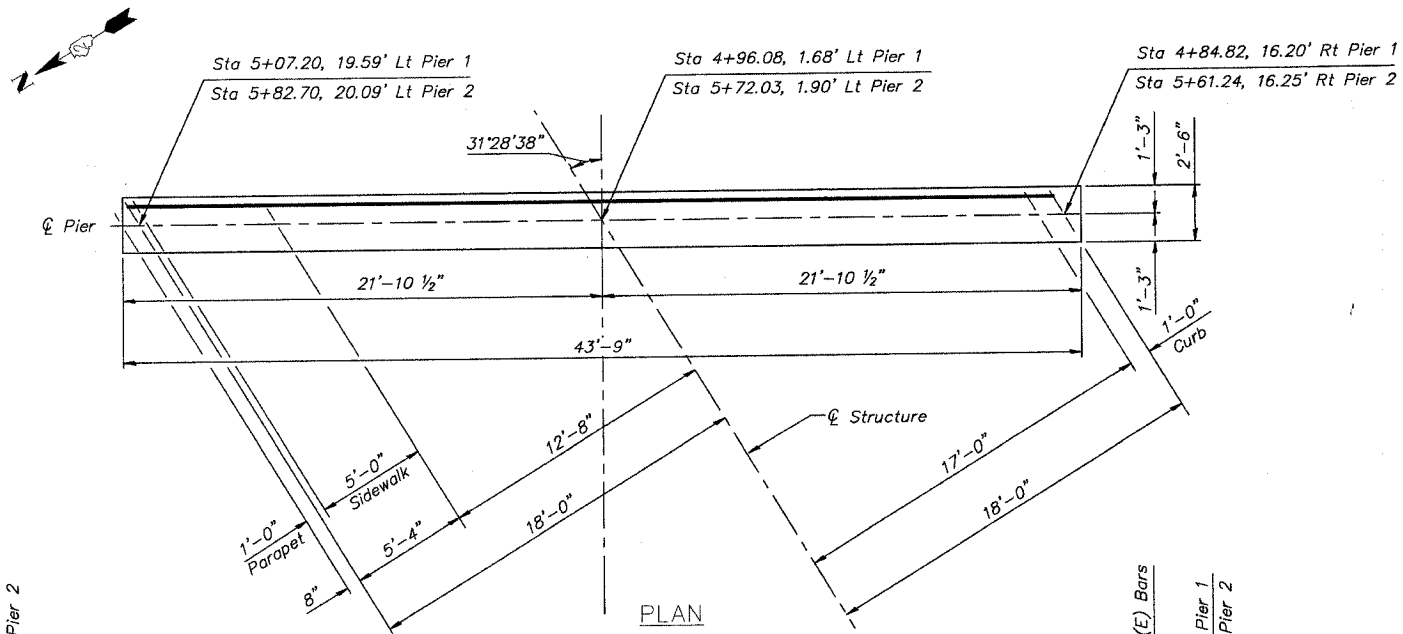


ROUTE NO.	SECTION	COUNTY	TOTAL SHEETS	SHEET NO.	SHEET NO. S07
M.S. 1090	*	BUREAU COUNTY	27	25	OF SHEETS 9
* SECTION 01-00008-00-BR		ILLINOIS	FED. AID PROJECT		



TOTAL BILL OF MATERIAL 2 PIERS

BAR	NO.	SIZE	LENGTH	SHAPE
h (E)	128	#4	22'-4"	—
h ₁ (E)	64	#6	23'-0"	—
p (E)	32	#6	23'-0"	—
s (E)	76	#4	9'-5"	□
s ₁ (E)	152	#4	11'-4"	□
u (E)	12	#6	7'-4"	□
u ₁ (E)	64	#4	5'-0"	□
u ₂ (E)	32	#6	7'-4"	□
v (E)	352	#5	14'-3"	—
Structure Excavation			Cu. Yd.	92
Concrete Structures			Cu. Yd.	186
Reinforcement Bars, Epoxy Coated			Pound	12,785
Furnishing Steel Pile HP 14 x 73			Foot	1458
Driving Steel Piles HP 14x73			Foot	1044
Test Pile Steel HP 14x73			Each	2

ELEVATION LOOKING EAST PIER ELEVATION TABLE

PIER	ELEVATION					
	A	B	C	D	E	F
PIER 1	788.31	788.21	787.60	785.10	770.00	762.00
PIER 2	789.61	789.85	789.54	787.04	771.51	763.51

DESIGNED BY: JTT
 CHECKED BY:
 DRAWN BY: CJP
 CHECKED BY: JTT

McCLURE ENGINEERING ASSOCIATES, INC.
 1138 COLUMBUS STREET OTTAWA, ILLINOIS 61350
 PHONE (815) 433-2080 FAX (815) 433-5930
 DESIGN FIRM LICENSE: ILLINOIS #184-000816
 COPYRIGHT 2008 BY McCLURE ENGINEERING ASSOCIATES, INC.

REVISIONS		SUBSTRUCTURE - PIERS
NAME	DATE	
		HIGH STREET OVER BNSF RAILWAY BUREAU COUNTY SECTION 01-00008-00-BR STATION 5+36.11 STRUCTURE NO. 006-6600