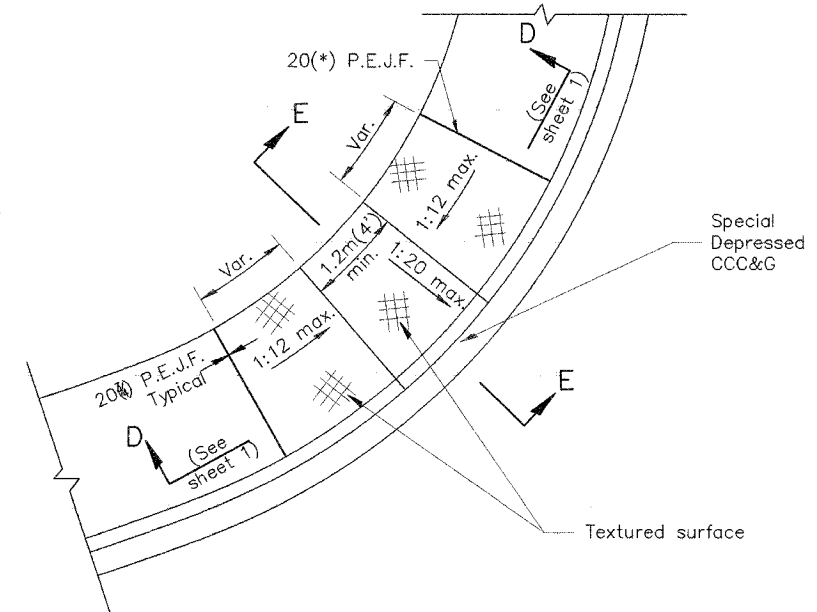
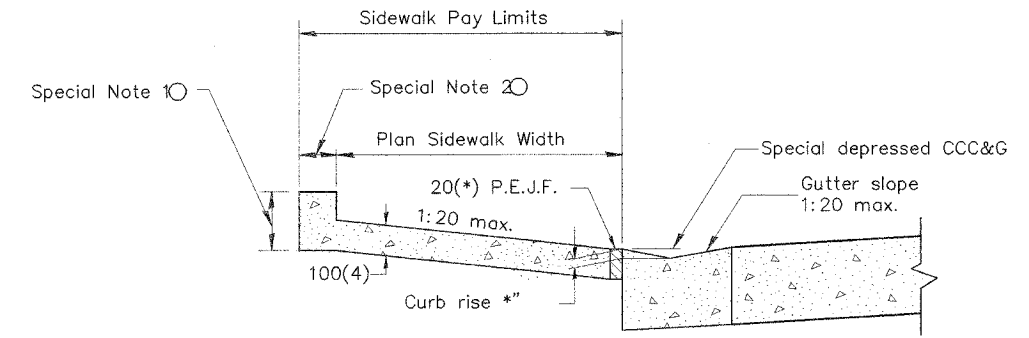


F.A. RTE.	SECTION	COUNTY	TOTAL SHEETS	SHEET NO.
FAU 6579	02-00065-00-PV	PEORIA	83	78
FED. ROAD DIST. NO. _	ILLINOIS	FED. AID PROJECT		

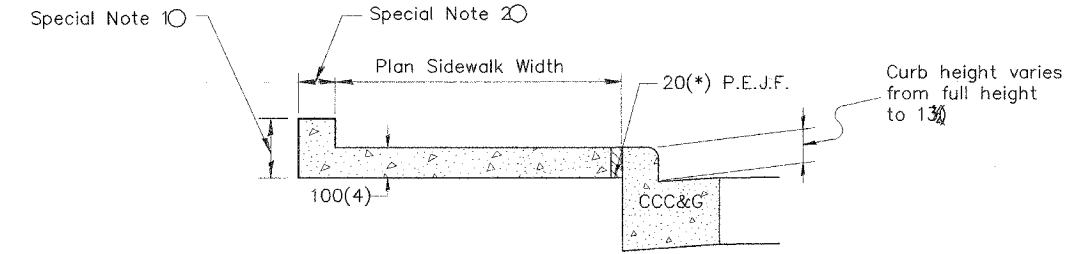
89358



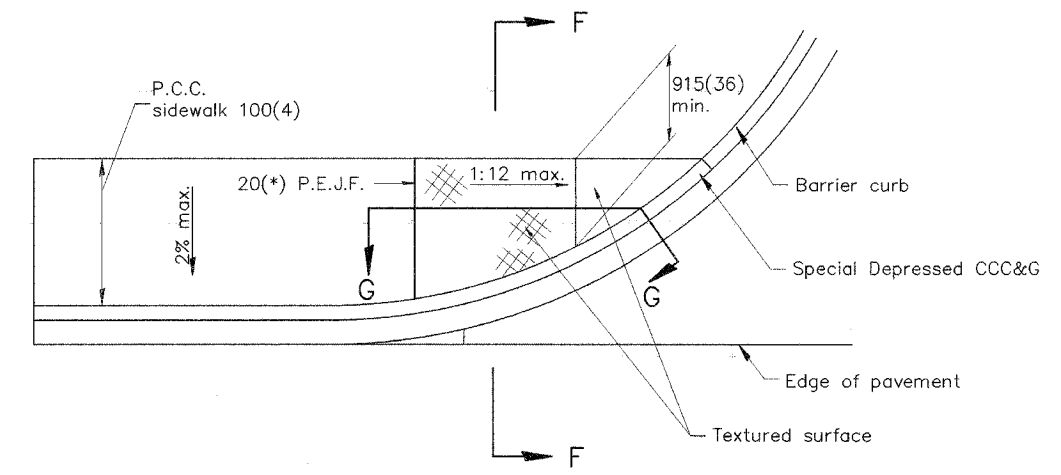
**CASE 3**  
TYPE B DIAGONAL RAMP WITH CURBLIN SIDEWALK



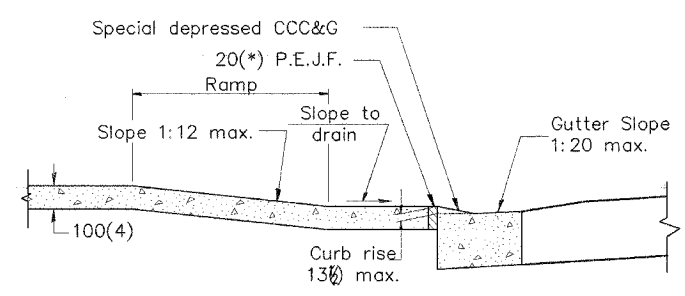
**SEC. E-E**



**SEC. F-F**



**CASE 4**  
TYPE B RAMP WITH CURBLIN SIDEWALK



**SEC. G-G**

All dimensions are in millimeters (inches) unless otherwise noted.

ILLINOIS DEPARTMENT OF TRANSPORTATION	
DISTRICT CADD STANDARD	
SIDEWALK RAMPS ACCESSIBLE TO THE DISABLED	
CADD std. NO. 424001-D4	SHEET 2 of 2
SCALE: NOT DRAWN TO SCALE	DRAWN BY CADD
DATE \$\$\$DATE\$\$\$	CHECKED BY

424001-D4 (2)

\$\$\$DATE\$\$\$

\*DGN-ONLY\*

17/02/2006 10:17:34 PM