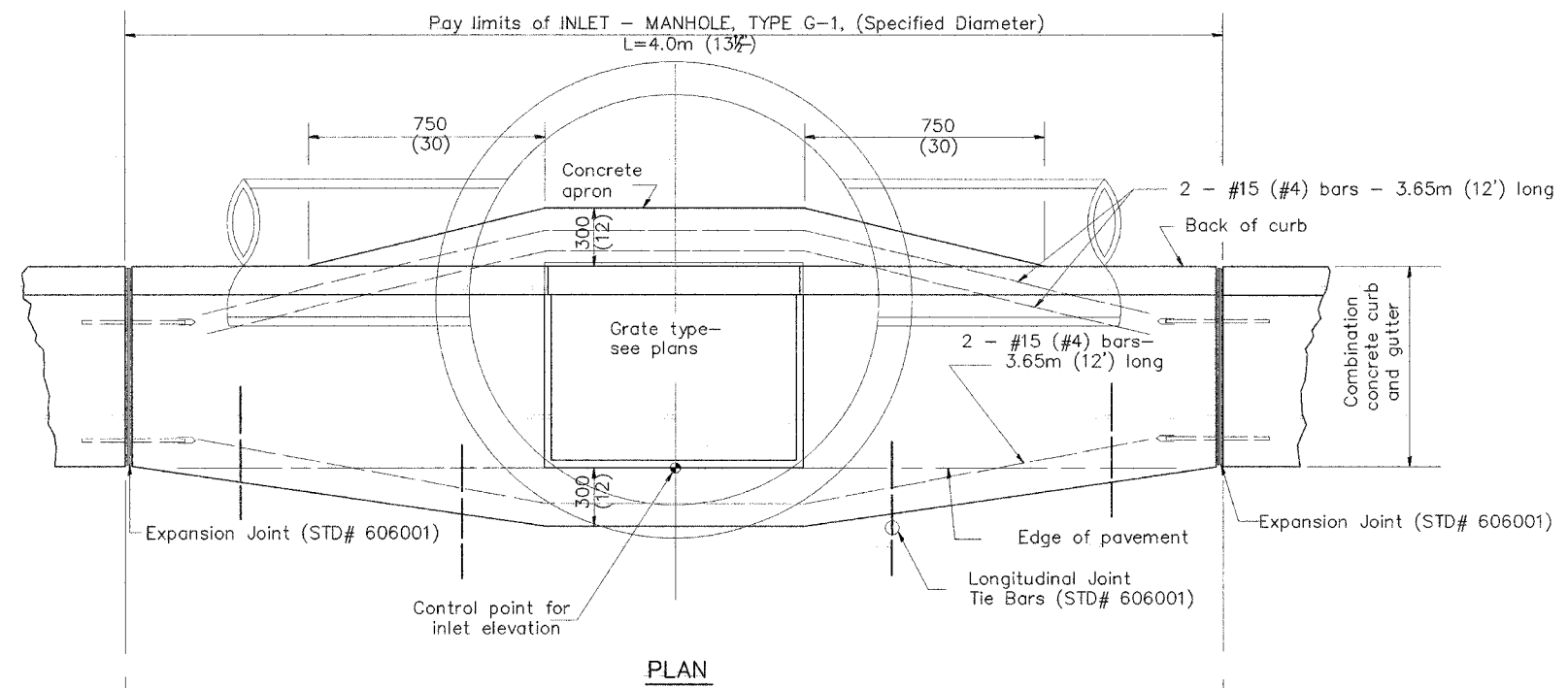
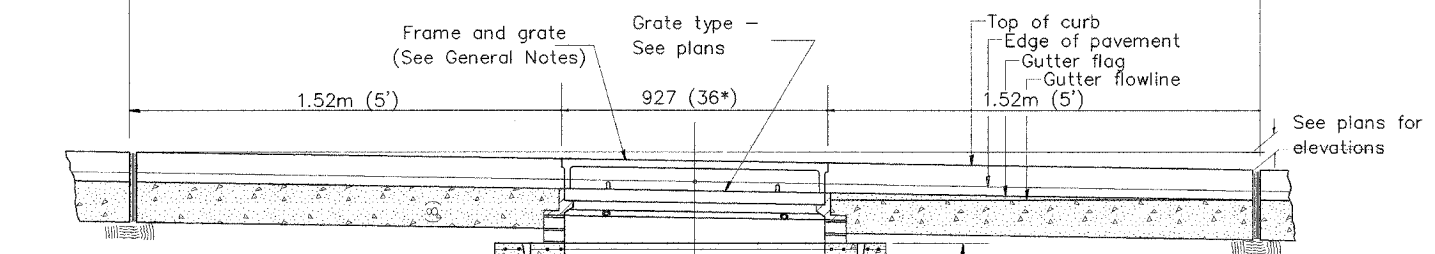


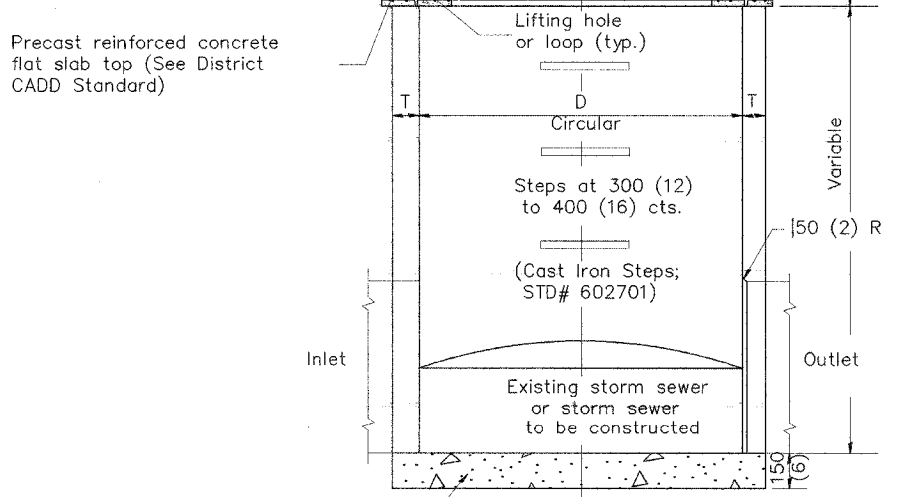
89358



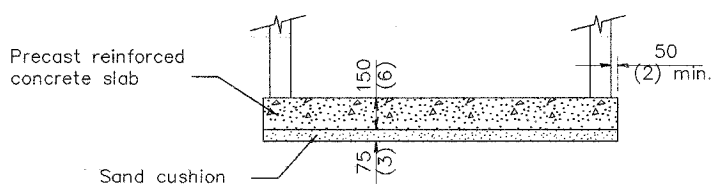
PLAN



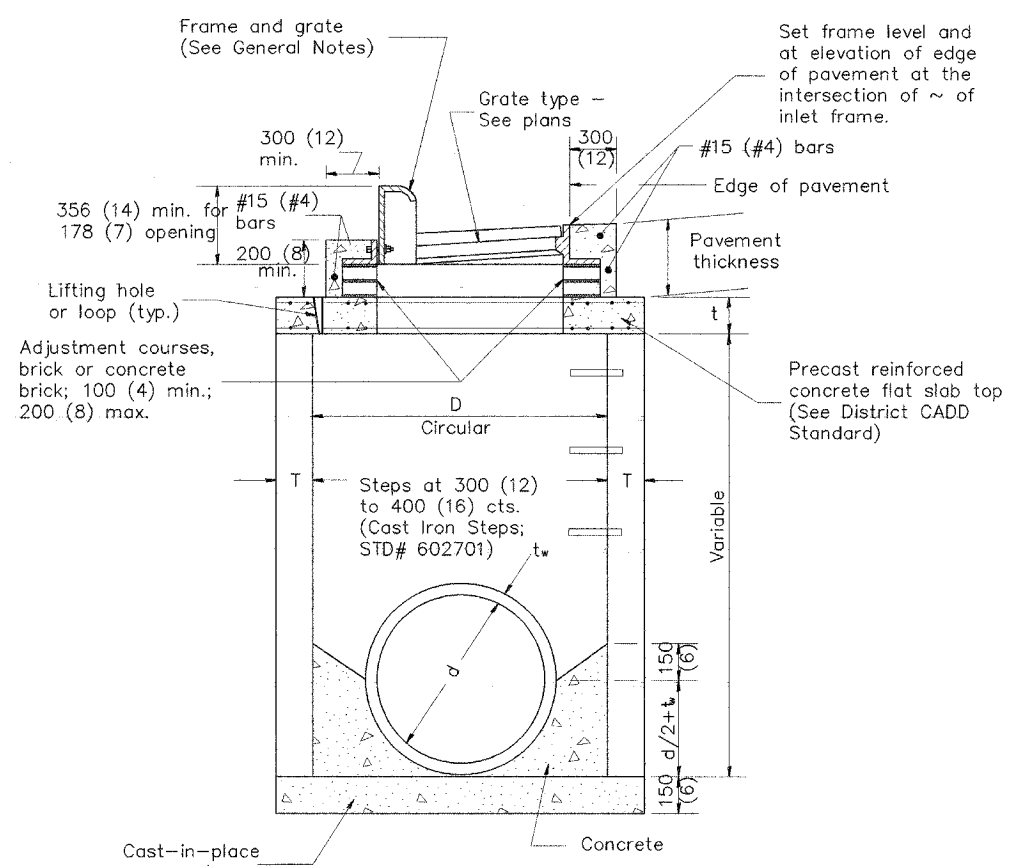
ELEVATION (SIDE)



ELEVATION (FRONT)



ALTERNATE BOTTOM SLAB



ELEVATION (SIDE)

Set frame level and at elevation of edge of pavement at the intersection of ~ of inlet frame.

GENERAL NOTES

1. Inlet-manhole construction shall be in accordance with Section 602 of the Standard Specifications.
2. Combination concrete curb and gutter shall be constructed in accordance with Section 606 of the Standard Specifications.
3. See District CADD Standard 604001-D4 for frame and grates.
4. See District CADD Standard for precast reinforced concrete flat slab top.

TABLE

D	T	t
1.2m (4')	125 (5)	150 (6)
1.5m (5')	150 (6)	200 (8)
1.8m (6')	195 (7 1/2)	200 (8)
2.4m (8')	225 (9)	250 (10)

All dimensions are in millimeters (inches) unless otherwise noted.

ILLINOIS DEPARTMENT OF TRANSPORTATION
DISTRICT CADD STANDARD

INLET-MANHOLE,
TYPE G-1

DATE	REVISIONS	BY
1-1-97	RENUM. B-4.05, NEW REVISION BOX	
10-99	REVISION TO GENERAL NOTES	J.A.
2-00	REVISION TO DESIGNER NOTES	J.A.

CADD STANDARD 602021-D4

SCALE NOT TO SCALE
DATE \$\$\$DATE\$\$\$

DRAWN BY CADD
CHECKED BY

602021-D4

4. Include District CADD Standard for frame and grates and specify grate type in plans.
5. Include District CADD Standard for precast reinforced concrete flat slab top.
6. Include District CADD Special Provision. Pay item includes inlet - manhole, flat slab top, transitional c.c.&g. and frame and grate. All work within pay limits.
7. Specify diameter of inlet - manhole in plans.
8. The designer should include pavement removal quantities when the apron requires pavement removal.

\$\$\$DATE\$\$\$

DGN-ONLY

17/02/2006 9:35:34 PM