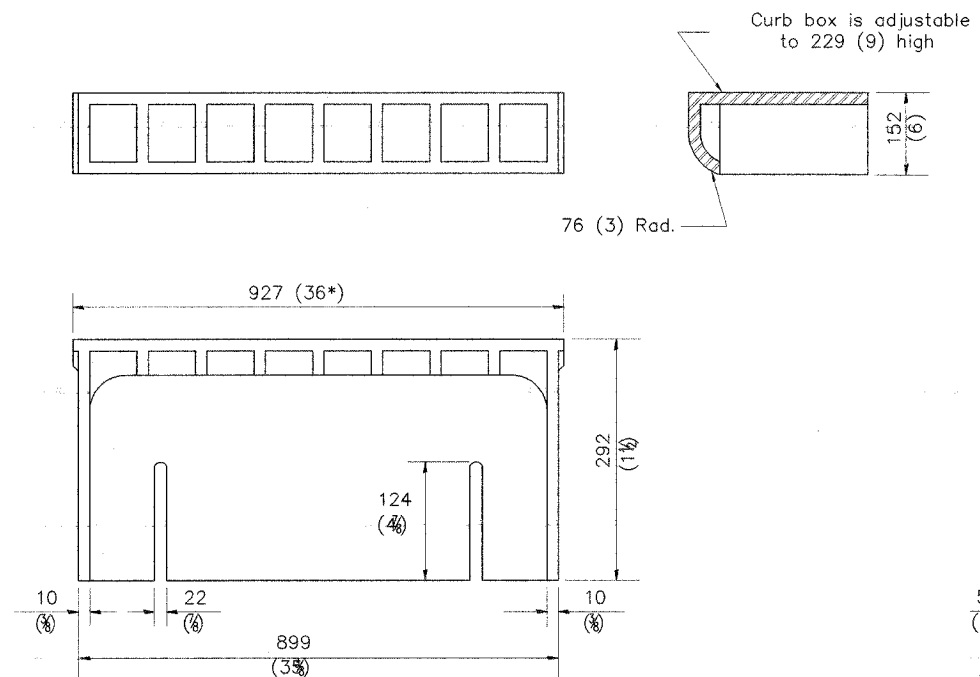
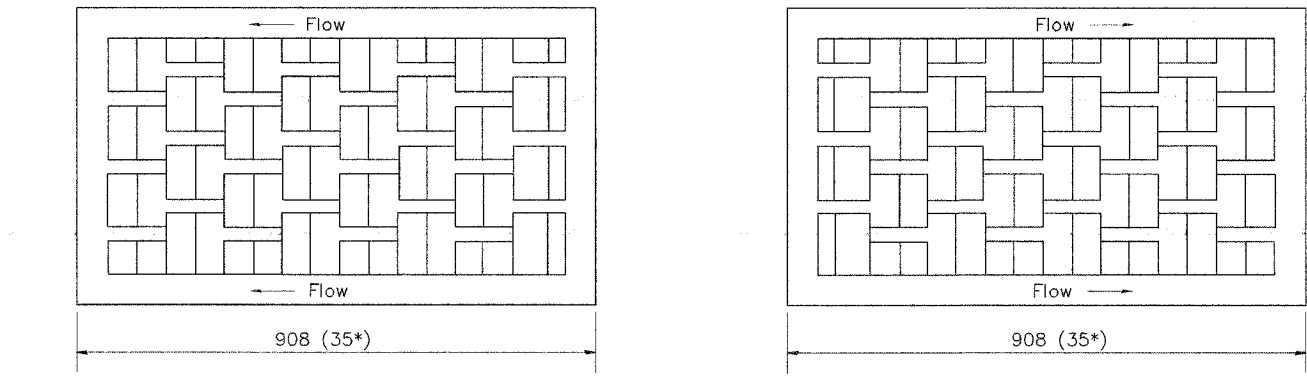


F.A. RTE.	SECTION	COUNTY	TOTAL SHEETS	SHEET NO.
FAU 6579 02-00065-00-PV	FEORIA	FEORIA	83	83
FED. ROAD DIST. NO.	ILLINOIS	FED. AID PROJECT		

89358



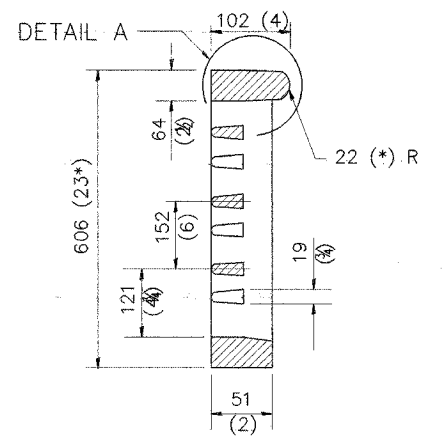
CAST CURB BOX
50 kg (110 lbs.)



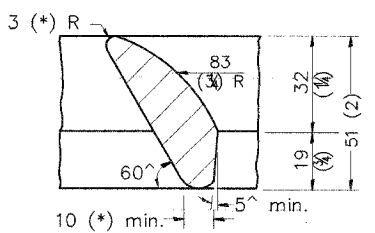
FLOW LEFT

FLOW RIGHT

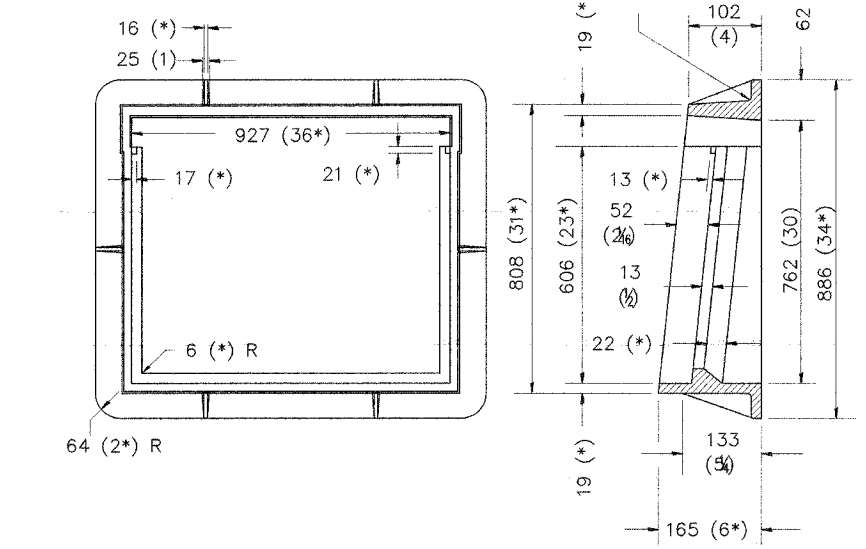
CAST VANE GRATES
(SPECIFY LEFT OR RIGHT FLOW)
104 KG (230 lbs.)



DETAIL A

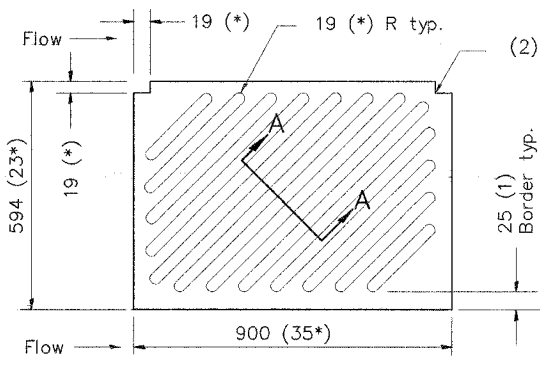


DETAIL B

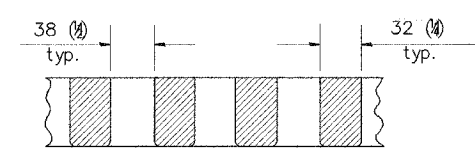


CAST FRAME
123 kg (271 lbs.)

Slot for galvanized M12 *6* bolt, nut and washer



CAST DIAGONAL GRATE
(Reversible for flow)
98 kg (217 lbs.)



SECTION A-A

GENERAL NOTES

1. The frame and grate shown on this drawing are for use with all TYPE G-1 and TYPE G-1, SPECIAL DRAINAGE STRUCTURES. See plans for grate type and flow direction.
2. Flow direction: As viewed from street side.
3. Material: cast gray iron.

DATE	REVISIONS	BY
1-1-97	RENUM. B-10.01, NEW REVISION BOX	T.P.

All dimensions are in millimeters (inches) unless otherwise noted.

ILLINOIS DEPARTMENT OF TRANSPORTATION
DISTRICT CADD STANDARD

FRAME AND GRATES FOR TYPE G-1 AND TYPE G-1, SPECIAL DRAINAGE STRUCTURES

CADD STANDARD 604001-D4
SCALE NOT TO SCALE
DATE \$\$\$DATE\$\$\$

DRAWN BY CADD
CHECKED BY

604001-D4

4. This drawing based upon "NEENAH" designs as follows: Inlet Frame: R-3246-A, Curb Box: R-3290, Reversible Diagonal Grate: R-3246-A, Vane Grates: R-3246-AL(flow left), R-3246-AL(flow right)

\$\$\$DATE\$\$\$

DGN-ONLY