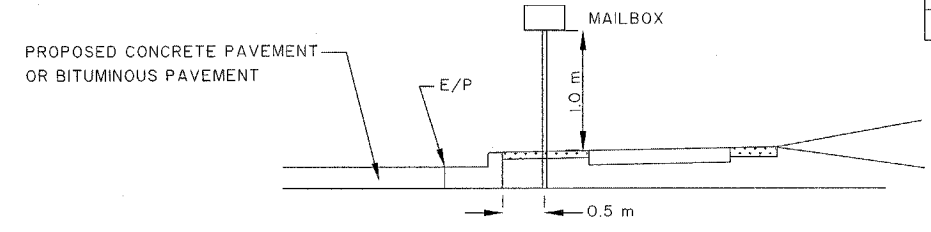
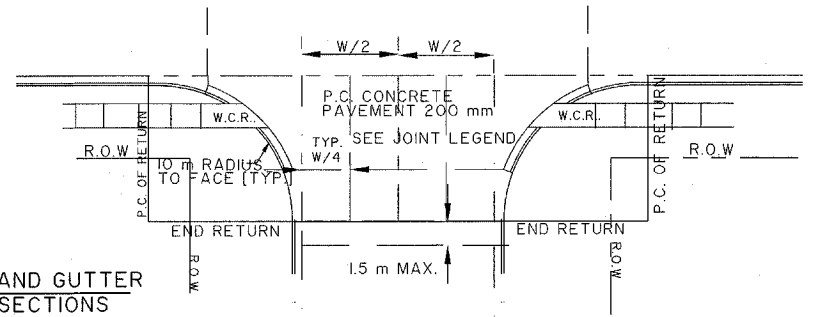


ROUTE NO.	SECTION NO.	TOTAL SHEET NO.	SHEET NO.
F.A.U. 6578 F.A.U. 6679	03-00019-11-FP	98	11
FED. ROAD DIST. NO.	COUNTY	PROJECT	
	PEORIA ILLINOIS	M-5093 (104)	

CONTRACT NO. 89369



RESET MAILBOX DETAIL



COMBINATION CONC. CURB AND GUTTER TYPE B 15.60 AT INTERSECTIONS

WHERE NO STORM SEWER STRUCTURES ARE LOCATED, THIS PAY ITEM SHALL BE MEASURED IN METER FROM PC TO PT OF THE RETURN. THE UNIT PRICE OF THIS PAY ITEM SHALL INCLUDE THE COST OF CONSTRUCTING ALL TRANSITION AND THE COST OF THE TRANSITION TO THE EXISTING CURB & GUTTER ON IMPROVED SIDE STREET & UNIMPROVED SIDE STREET.

TRANSITION AREA ON IMPROVED SIDE STREETS BITUMINOUS BINDER CRSE. 160 mm & INCIDENTAL BIT. SURFACING 40 mm

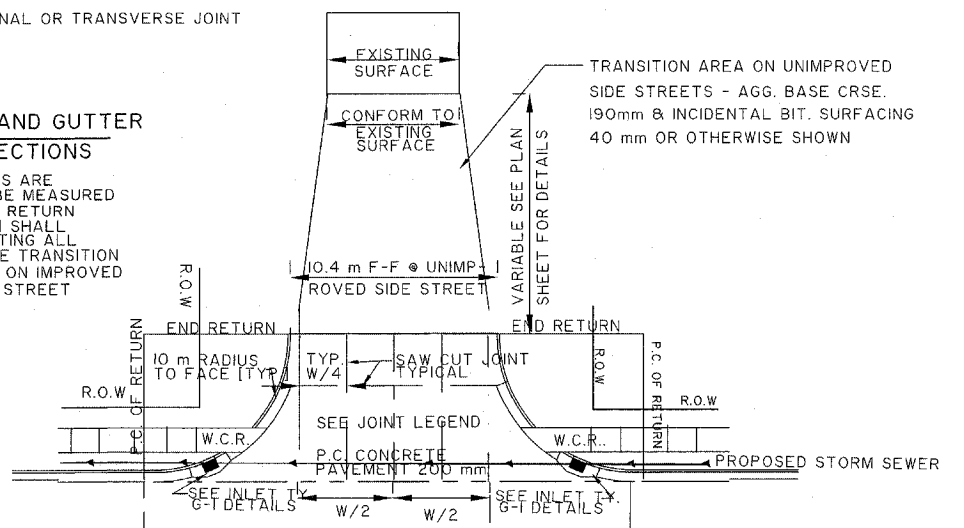
TYPICAL SIDE STREET INTERSECTION (SCHOOL ENT.) DETAILS

PAVEMENT JOINT LEGEND (NO STORM SEWER STRUCTURES WITHIN INTERSECTION)

- SAWED TRANSVERSE CONTRACTION JOINT WITH DOWEL BARS
- LONGITUDINAL CONSTRUCTION JOINT WITH KEY WAY & TIE BARS
- SAWED LONGITUDINAL JOINT WITH TIE BARS
- SAWED LONGITUDINAL OR TRANSVERSE JOINT

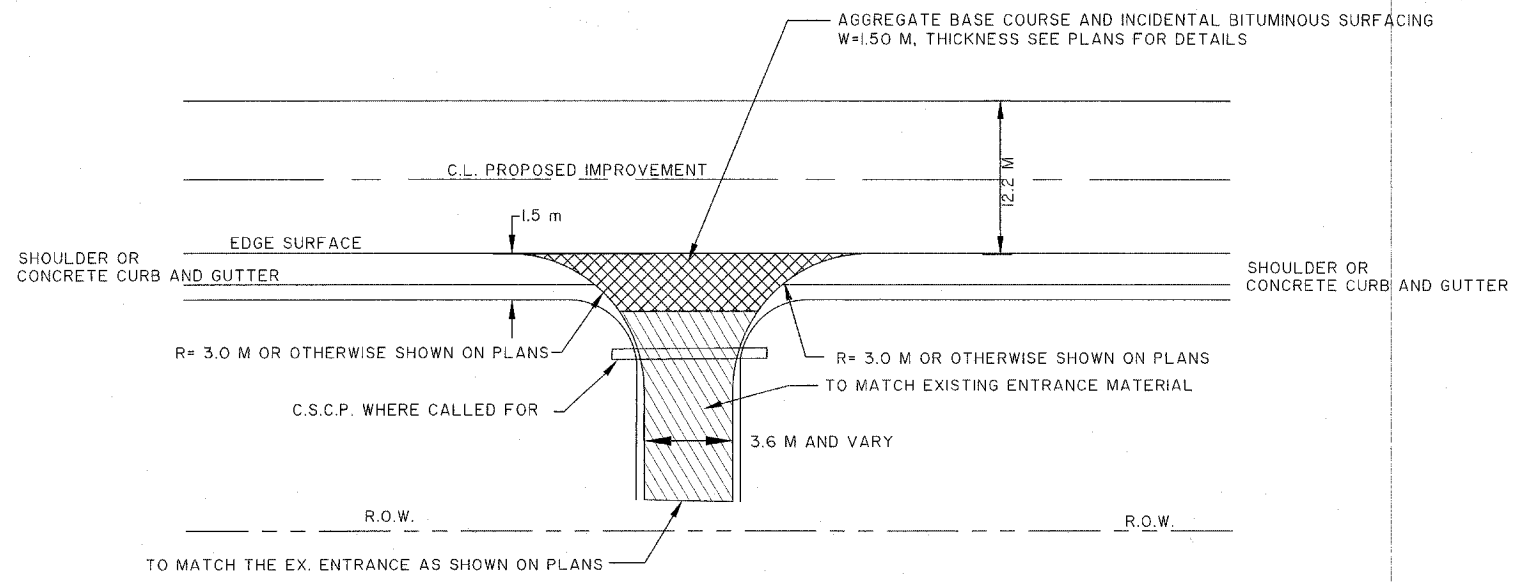
COMBINATION CONC. CURB AND GUTTER TYPE B 15.60 AT INTERSECTIONS

WHERE STORM SEWER STRUCTURES ARE LOCATED, THIS PAY ITEM SHALL BE MEASURED IN METER FROM PC TO PT OF THE RETURN. THE UNIT PRICE OF THIS PAY ITEM SHALL INCLUDE THE COST OF CONSTRUCTING ALL TRANSITION AND THE COST OF THE TRANSITION TO THE EXISTING CURB & GUTTER ON IMPROVED SIDE STREET & UNIMPROVED SIDE STREET.



TYPICAL SIDE STREET INTERSECTION (SCHOOL ENT.) DETAILS

(WITH STORM SEWER STRUCTURES LOCATED WITHIN INTERSECTION)



AIRPORT ROAD PFEIFFER ROAD  
TYPICAL ENTRANCE, DRIVEWAY DETAILS  
(NOT INCLUDE CONCRETE FLARED ENTRANCE)

PEORIA COUNTY HIGHWAY DEPT.  
TYPICAL ENTRANCE  
AIRPORT ROAD AND PFEIFFER ROAD  
NOT TO SCALE

AIRPORT RD. AND PFEIFFER RD.  
TYPICAL ENTRANCE, SIDE ROAD, MAILBOX TURNOUT  
AND CONCRETE DRIVEWAY DETAILS  
NOT TO SCALE