

ROUTE NO.	SECTION NO.	TOTAL SHEET NO.	SHEET NO.
F.A.U 6578 F.A.U 6679	03-00019-1 I-FP	98	34
FED. ROAD DIST. NO.	COUNTY	PROJECT	
	PEORIA ILLINOIS	M-5093 (I04)	

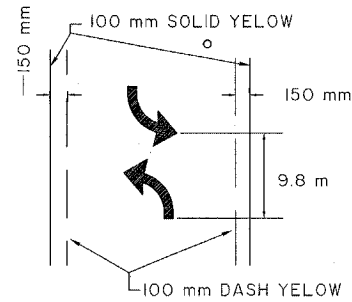
CONTRACT NO. 89369

STA. 3+080.000

SCALE 1: 500

AIRPORT ROAD (SOUTH LEG)

CONTINUOUS FROM SHEET 33
STA. 3+150.320



MEDIAN DETAILS

PAVEMENT MARKING LEGEND

- ① 100 mm SOLID YELLOW
- ② 100 mm SOLID WHITE
- ③ 100 mm SKIP DASH YELLOW → [3.0 m | 9.0 m | 3.0 m]
- ④ 200 mm SOLID WHITE
- ⑤ 300 mm DIAGONAL (WHITE) → [6.0 m] 45.00 DEGREE
- ⑥ 600 mm STOP BAR (WHITE)
- ⑦ LETTERS & SYMBOLS
- ⑧ 300 mm DIAGONAL (YELLOW) → [6.0 m] 45.00 DEGREE
- ⑨ 100 mm DOUBLE YELLOW
- ⑩ 150 mm SKIP DASH (WHITE) → [3.0 m | 9.0 m | 3.0 m]

CONTRACTOR SHOULD ERECT THE EXISTING SIGNS TO ITS RELATED LOCATIONS AFTER COMPLETION OF THE PROJECT AS DIRECTED BY THE ENGINEER (COST TO BE INCLUDED IN THE CONTRACT)

STA. 10+084.420

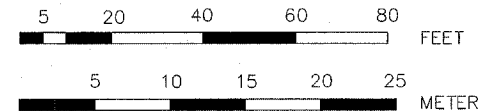
SCALE 1: 500

PFEIFFER ROAD (WEST LEG)

CONTINUOUS FROM SHEET 33
STA. 10+347.217

RAISED REFLECTIVE PAVEMENT MARKER-- LEGEND

- ▶ RAISED REFLECTIVE PAVEMENT MARKER- ONE WAY CRISTAL
- ▶ RAISED REFLECTIVE PAVEMENT MARKER- ONE WAY AMBER
- ◆ RAISED REFLECTIVE PAVEMENT MARKER- TWO WAY AMBER



CONTINUOUS FROM SHEET 33
STA. 10+479.100

SCALE 1: 500

PFEIFFER ROAD (EAST LEG)

STA. 10+600.000

NOTE: RAISED REFLECTED PAVEMENT MARKERS WILL BE INSTALLED AND PAID FOR IN THIS PROJECT PAVEMENT MARKINGS TO BE PAINTED BY OTHERS, RELATED ITEMS SHOWN ON THIS SHEET FOR INFORMATION ONLY

PEORIA COUNTY HIGHWAY DEPARTMENT
PAVEMENT MARKING DETAILS
AIRPORT ROAD SEC. 03-00019-1 I-FP